

REV.	ECN NO OR DESCRIPTION	REVISED	DATE
A	PDR NO:1120927-54/5B	fly	2013.01.21

- SPECIFICATIONS:
1. ELECTRICAL CHARACTERISTICS:
- 1-1. CURRENT RATING: 1.84 (PIN1,4) ; OTHER CONTACTS 0.25A
 - 1-2. CONTACT RESISTANCE: 30mΩ MAX.
 - 1-3. DIELECTRIC WITHSTANDING VOLTAGE: 100V AC FOR 1 MINUTE
 - 1-4. INSULATION RESISTANCE: 100MΩ MIN
2. MECHANICAL CHARACTERISTICS:
- 2-1. INSERTION FORCE : 3.5 Kgf MAX
 - 2-2. WITHDRAWAL FORCE : 1.0 Kgf MIN(INITIAL),0.8 Kgf(AFTER TEST)
3. DURABILITY : 5,000 CYCLES.
4. TO CONFORM TO SINGATRON HAZARDOUS SUBSTANCE FREE SPEC.
5. HALOGEN PRODUCT IDENTIFICATION MARK ON JACK:
6. HALOGEN PRODUCT IDENTIFICATION LABEL ON PACKAGING:
7. FOR IR REFLOW PROCESS.
8. DATE : YMMDD-
9. PACKAGING : TAPE & REEL.

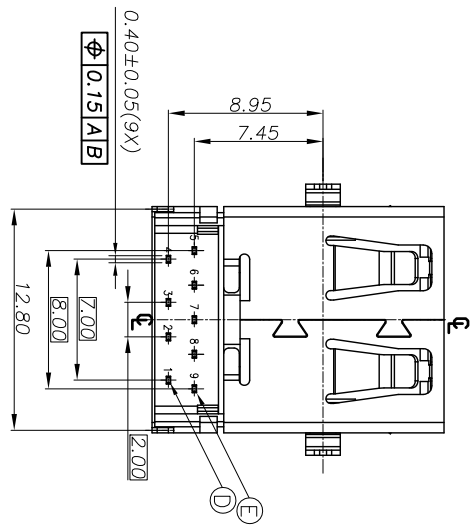
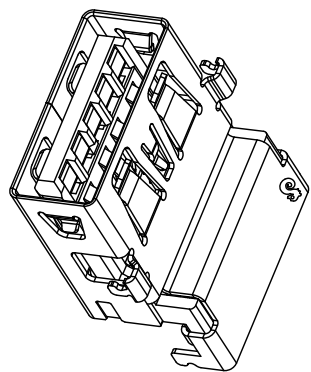
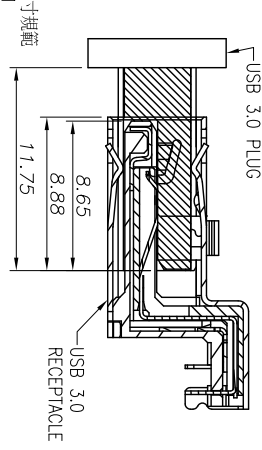
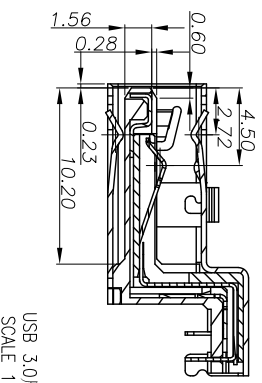
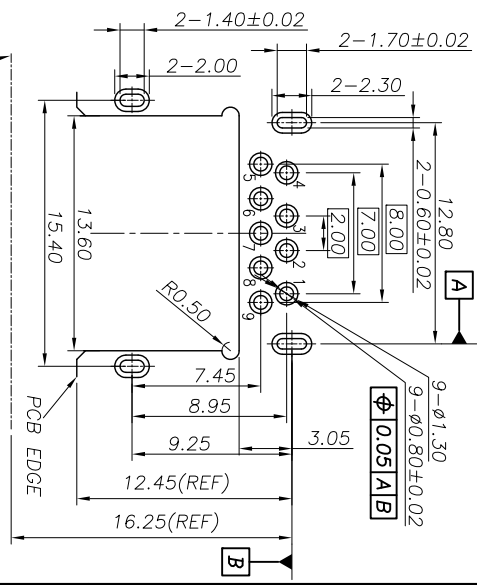
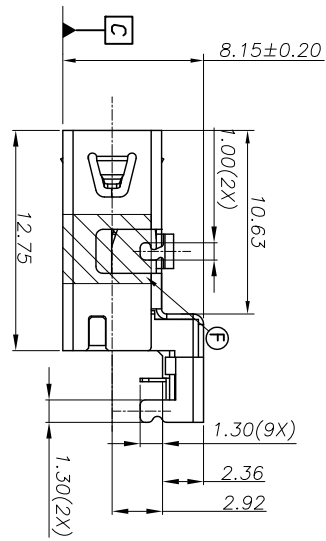
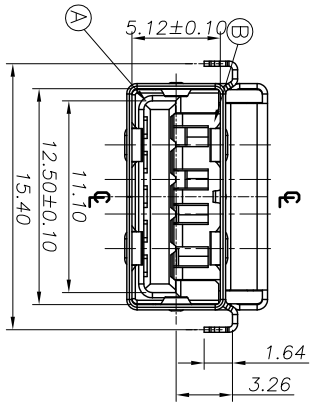
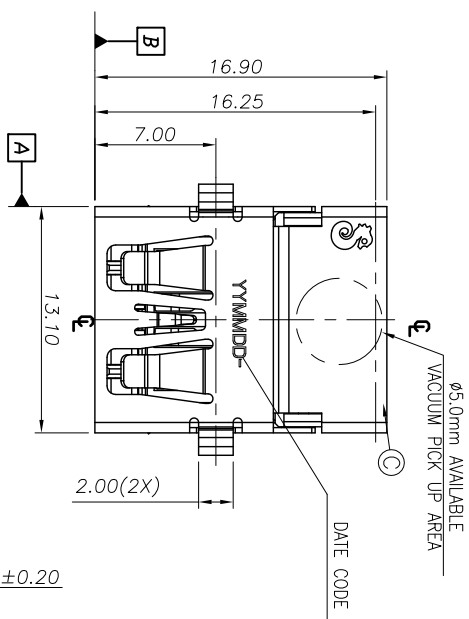


TABLE:

P/N	P/N	PLATING
ZUB4039-900X01F	ZUB4039-900101F	GOLD PAPER ON WATING AREA WATE 5n 120um ON SOLDERING AREA ROUN NICKEL UNDER PLATING OVERALL
ZUB4039-900201F	ZUB4039-900201F	AU 30um ON WATING AREA WATE 5n 120um ON SOLDERING AREA ROUN NICKEL UNDER PLATING OVERALL

Pin	Signal NAME	F	2	YELLOW
1	VBUS	E	5	COPPER ALLOY T=0.20
2	D-	D	4	COPPER ALLOY T=0.20
3	D+	C	1	STAINLESS STEEL T=0.30
4	GND	B	1	HIGH THERMOPLASTIC
5	SIDL_SSRX-	A	1	HIGH THERMOPLASTIC
6	SIDL_SSRX+	NO		MATERIAL
7	GND_DRAIN			PLATING & COLOR
8	SIDL_SSTX-			
9	SIDL_SSTX+			

Pin	Signal NAME	F	2	YELLOW
E	5-TERMINAL	E	5	COPPER ALLOY T=0.20
D	4-TERMINAL	D	4	COPPER ALLOY T=0.20
C	SHELL	C	1	STAINLESS STEEL T=0.30
B	BASE	B	1	HIGH THERMOPLASTIC
A	HOUSING	A	1	HIGH THERMOPLASTIC
NO	DESCRIPTION	NO		MATERIAL
	UNLESS OTHERWISE SPECIFIED TOLERANCES			PLATING & COLOR

DECIMALS:	ANGLES:
X : ±0.5	X : ±2°
X.X : ±0.3	X.X : ±1°
X.XX : ±0.2	

TITLE	USB 3.0 REVERSE CONNECTOR
DWN	fly 2013.3.15
CHKD	lyve 2013.3.15
APVD	quan 2013.3.15
PART NO.	ZUB4039-900X01F
SCALE	1:1
UNIT	mm
SIZE	A3
SHEET	1 OF 1
REV	A

Singatron Enterprise Co., Ltd.
信登企業股份有限公司

CUSTOMER COPY