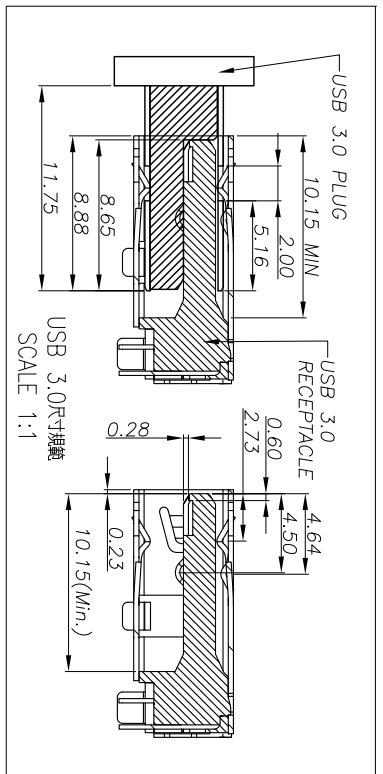
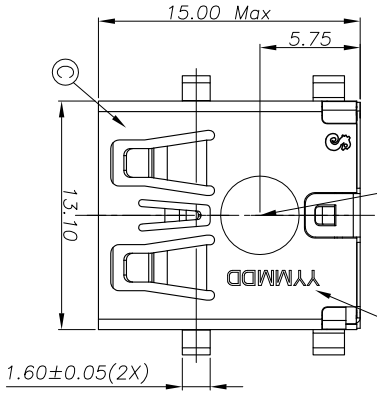
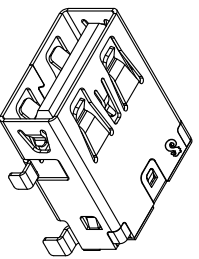
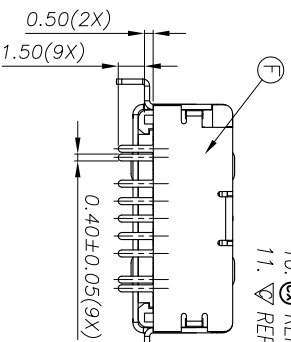
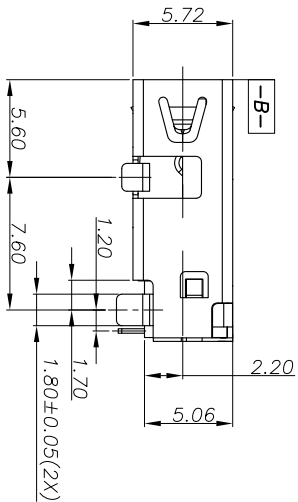
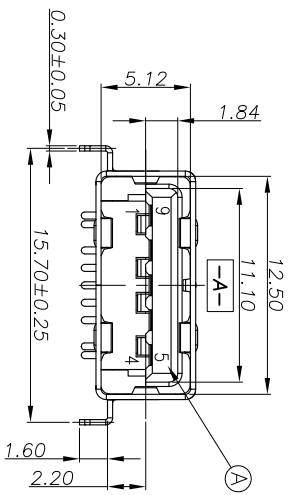


Ø4.5mm AVAILABLE
VACUUM PICK UP AREA

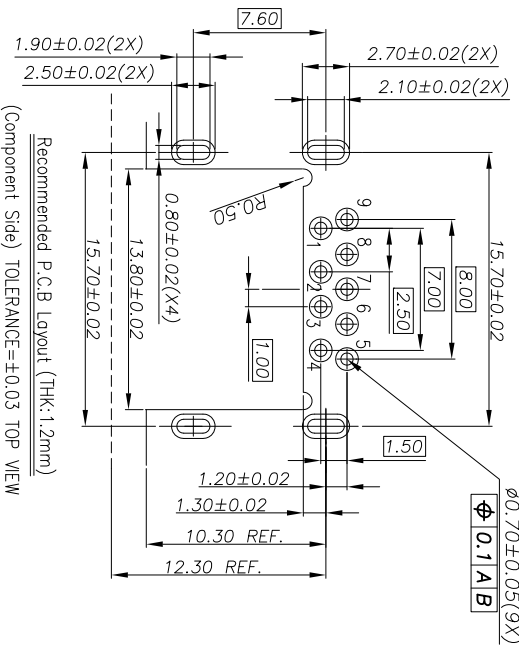
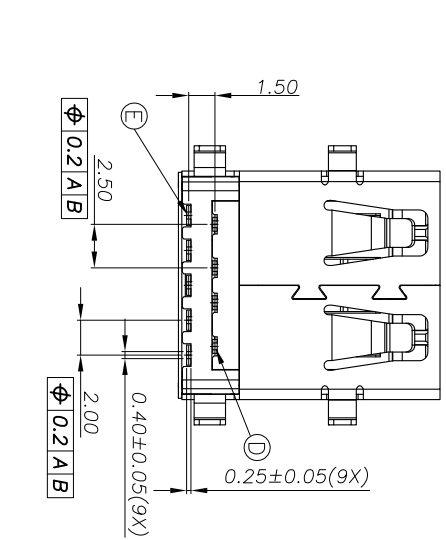


SPECIFICATIONS:

- ELECTRICAL CHARACTERISTICS:
 - CURRENT RATING: 1.84 (PIN1,4) ; OTHER CONTACTS 0.25A
 - CONTACT RESISTANCE: 30mΩ MAX.
 - DIELECTRIC WITHSTANDING VOLTAGE: 100V AC FOR 1 MINUTE
 - INSULATION RESISTANCE: 100MΩ MIN
- MECHANICAL CHARACTERISTICS:
 - INSERTION FORCE : 2.5 Kgf MAX
 - WITHDRAWAL FORCE : 1.0 Kgf(INITIAL),0.8Kgf(AFTER TEST)
- DURABILITY: 5,000 CYCLES.
- TO CONFORM TO SINGATRON HAZARDOUS SUBSTANCE FREE SPEC.
- HALOGEN FREE IDENTIFICATION MARK ON JACK:
- HALOGEN FREE IDENTIFICATION LABEL ON PACKAGING:
- FOR IR RE-FLOW PROCESS.
- DATE : YMMDD
- PACKAGING : TAPE & REEL.
- REPRESENT CRITICAL DIMENSIONS.
- REPRESENT CPK DIMENSIONS.



Pin Number	Signal ASSIGNMENT
PIN 1	VBUS
PIN 2	D-
PIN 3	D+
PIN 4	GND
PIN 5	SDA_SSRX-
PIN 6	SDA_SSRX+
PIN 7	GND_DRAIN
PIN 8	SDA_SSTX-
PIN 9	SDA_SSTX+



NO	DESCRIPTION	QTY	MATERIAL	PLATING & COLOR
F	SHELL COVER	1	STAINLESS STEEL	
E	TERMINAL	5	COPPER ALLOY	2.2µm OVER 30µm Ni; PLATED ON WELDING AREA 120µm Sn PLATED ON SOLDERING AREA; 80µm NICKEL UNDER PLATING OVERALL
D	TERMINAL	4	COPPER ALLOY	2.2µm OVER 30µm Ni; PLATED ON WELDING AREA; 120µm Sn PLATED ON SOLDERING AREA; 80µm NICKEL UNDER PLATING OVERALL
C	SHELL	1	STAINLESS STEEL	NICKEL 60µm MIN
B	BASE	1	THERMOPLASTIC	BLACK
A	HOUSING	1	THERMOPLASTIC	BLACK
	DESCRIPTION			PLATING & COLOR

UNLESS OTHERWISE SPECIFIED TOLERANCES

DECIMALS: ANGLES:

X : ±0.5 X : ±2°

X.X : ±0.3 X.X : ±1°

X.XX : ±0.2 X.XX : ±0.2

Recommended P.C.B Layout (THK:1.2mm)
(Component Side) TOLERANCE=±0.03 TOP VIEW

Singatron Enterprise Co., Ltd.
信音企業股份有限公司

TITLE: USB 3.0 CONNECTOR

DWN: DWG

CHKD: CHKD

APVD: APVD

PART NO. 20B34045-000101F

SCALE 1:1

UNIT: mm

SIZE: A3

SHEET: 1 OF 1

REV: C

CUSTOMER COPY

REV.	ECN NO OR DESCRIPTION	REVISED	DATE
A	PRODUCT RELEASE	VICTOR	2012.01.06
B	ECN NO : T120017	VICTOR	2012.05.02
C	ECN NO: T120125	Duke	2013.05.22

