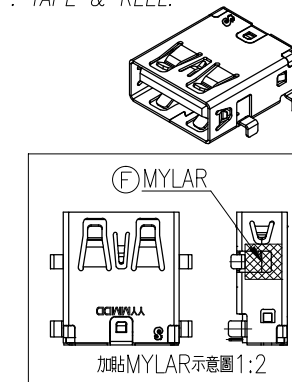
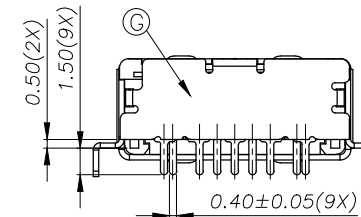
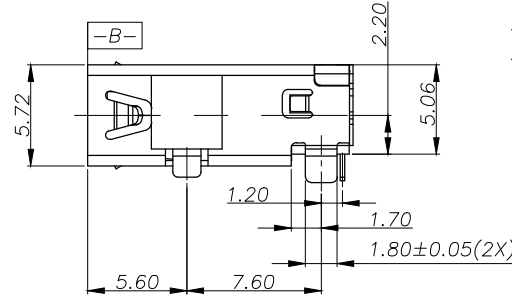
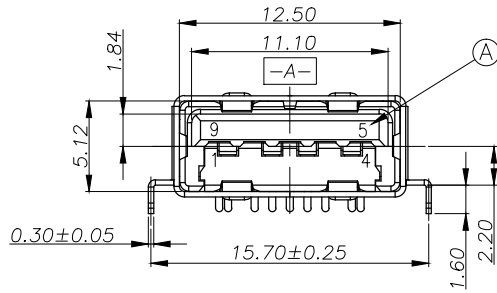
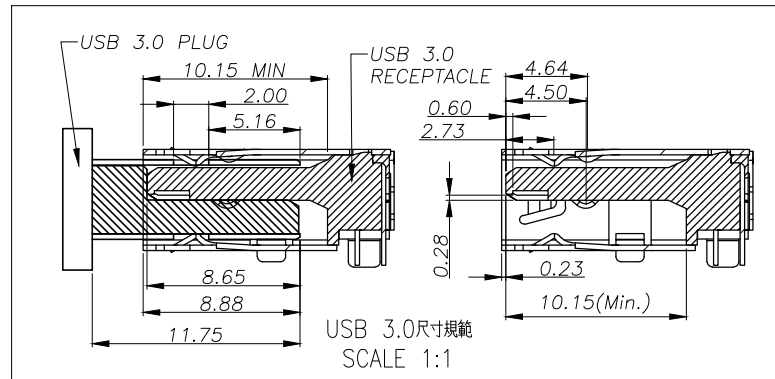
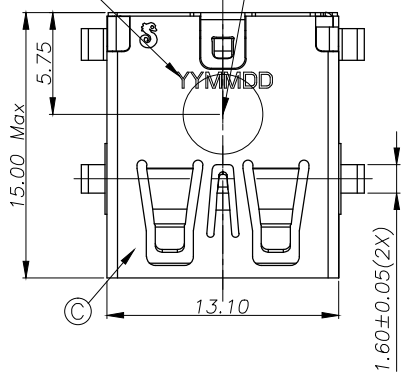
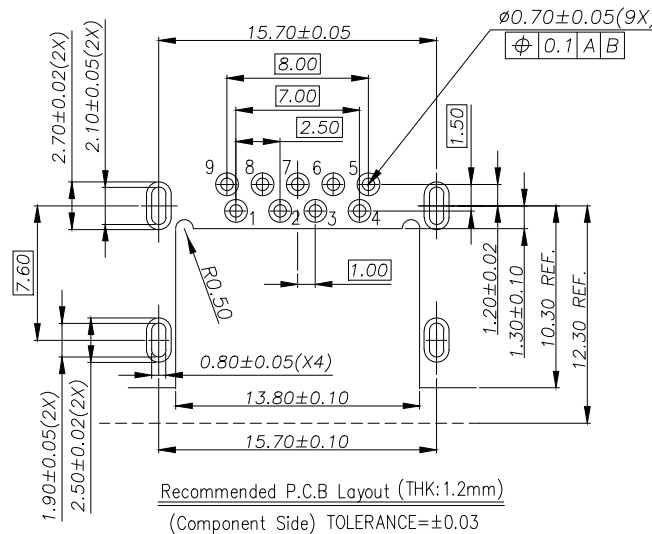
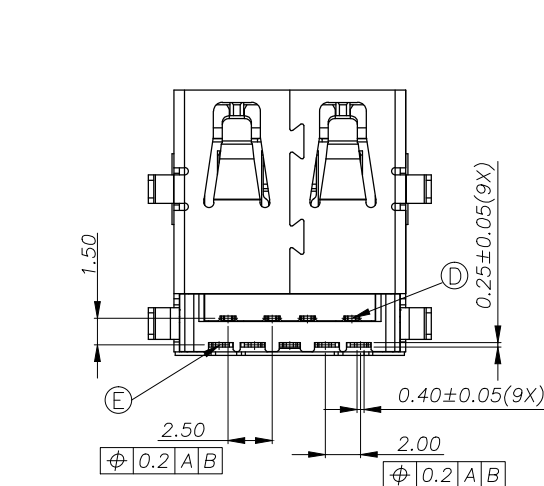


DATE CODE

ø4.5mm AVAILABLE  
VACUUM PICK UP AREA



Pin Number	Signal ASSIGNMENT
PIN 1	VBUS
PIN 2	D-
PIN 3	D+
PIN 4	GND
PIN 5	StdA_SSRX-
PIN 6	StdA_SSRX+
PIN 7	GND_DRAIN
PIN 8	StdA_SSTX-
PIN 9	StdA_SSTX+



SPECIFICATIONS:

- ELECTRICAL CHARACTERISTICS:
  - 1-1. CURRENT RATING: 1.8A (PIN1,4) ; OTHER CONTACTS 0.25A
  - 1-2. CONTACT RESISTANCE: 30mΩ MAX.
  - 1-3. DIELECTRIC WITHSTANDING VOLTAGE: 100V AC FOR 1 MINUTE
  - 1-4. INSULATION RESISTANCE: 100MΩ MIN
- MECHANICAL CHARACTERISTICS:
  - 2-1. INSERTION FORCE : 3.5 Kgf MAX
  - 2-2. WITHDRAWAL FORCE : 1.0 Kgf MIN
- DURABILITY: 5,000 CYCLES.
- TO CONFORM TO SINGATRON HAZARDOUS SUBSTANCE FREE SPEC.
- HALOGEN PRODUCT IDENTIFICATION MARK IN JACK: ©
- HALOGEN PRODUCT IDENTIFICATION LABEL ON PACKAGING:
- FOR WAVE SOLDERING LEAD-FREE PROCESS.
- DATE : YYMMDD
- PACKAGING : TAPE & REEL.

NO	DESCRIPTION	QTY	MATERIAL	PLATING & COLOR
G	SHELL	1	STAINLESS STEEL	
F	MYLAR	2	KAPTON 4.0x4.0	YELLOW
E	TERMINAL	5	COPPER ALLOY	Au30u" Min. PLATED ON MATING AREA, Sn120u" Min. PLATED ON SOLDERING 50u" NICKEL UNDER PLATING OVERALL
D	TERMINAL	4	COPPER ALLOY	Au30u" Min. PLATED ON MATING AREA, Sn120u" Min. PLATED ON SOLDERING 50u" NICKEL UNDER PLATING OVERALL
C	SHELL	1	STAINLESS STEEL	NICKEL 60u" MIN
B	BASE	1	THERMOPLASTIC	BLUE (300C)
A	HOUSING	1	THERMOPLASTIC	BLUE (300C)

UNLESS OTHERWISE SPECIFIED TOLERANCES		Singatron Enterprise Co., Ltd. 信音企業股份有限公司	
DECIMALS:	ANGLES:	TITLE USB 3.0 CONNECTOR	
X : ±0.5	X : ±2°	DWN peng	PART NO.2UB4045-100101F
X.X : ±0.3	X.X : ±1°	CHKD james	SCALE 1:1 UNIT: mm
X.XX : ±0.2		APVD boye	SIZE: A3 SHEET: 1 OF 1 REV: B
CUSTOMER COPY			