

ø4.5mm AVAILABLE
VACUUM PICK UP AREA

DATE CODE

REV.	ECN NO OR DESCRIPTION	REVISED	DATE
A	PDR NO : S160726-4A	peng	2017.04.06

SPECIFICATIONS:

1. ELECTRICAL CHARACTERISTICS:

- 1-1. CURRENT RATING: 1.8A (PIN1,4) ; OTHER CONTACTS 0.25A
- 1-2. CONTACT RESISTANCE: 30MΩ MAX.
- 1-3. DIELECTRIC WITHSTANDING VOLTAGE: 100V AC FOR 1 MINUTE
- 1-4. INSULATION RESISTANCE: 100MΩ MIN

2. MECHANICAL CHARACTERISTICS:

- 2-1. INSERTION FORCE : 3.0 Kgf MAX
- 2-2. WITHDRAWAL FORCE : 1.0 Kgf MIN

3. DURABILITY: 5,000 CYCLES.

4. TO CONFORM TO SINGATRON HAZARDOUS SUBSTANCE FREE SPEC.

5. HALOGEN FREE IDENTIFICATION MARK IN JACK: ©

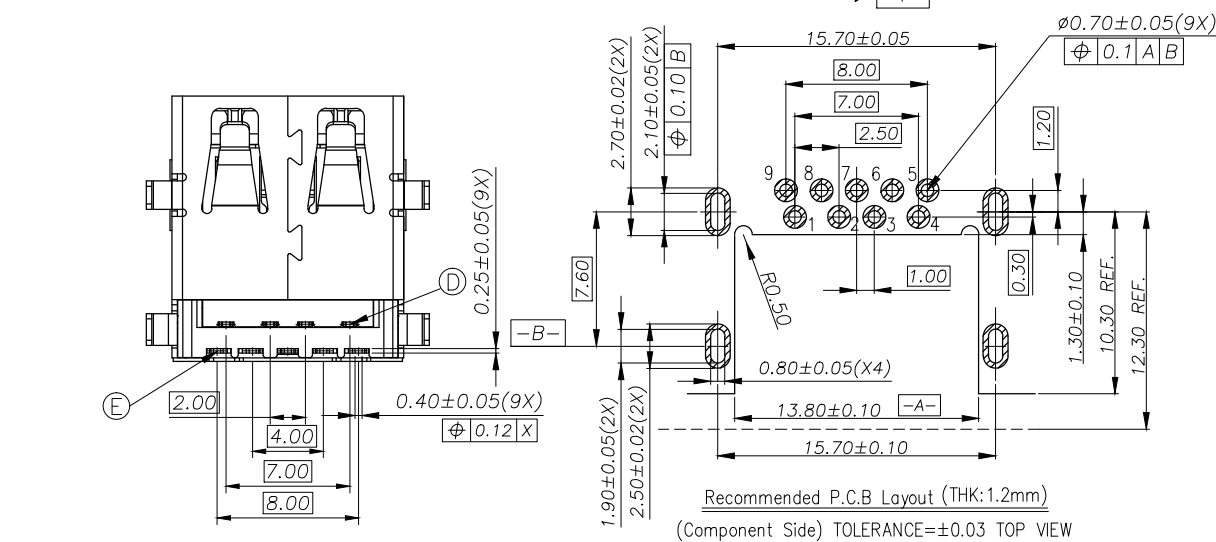
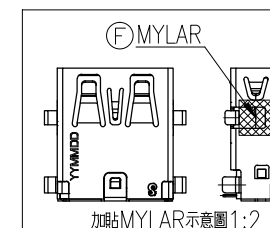
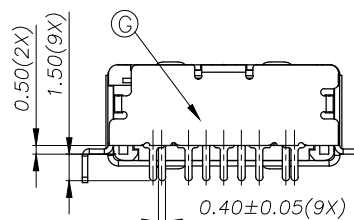
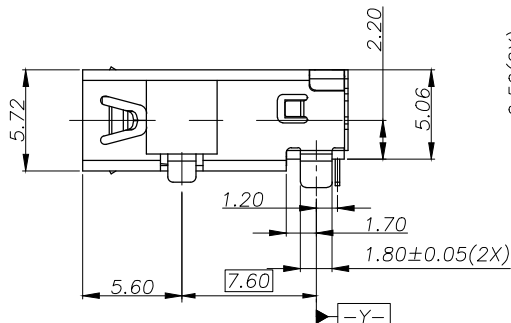
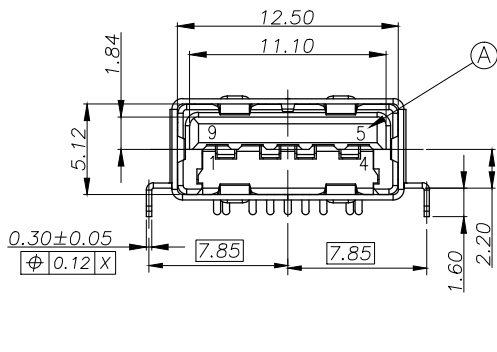
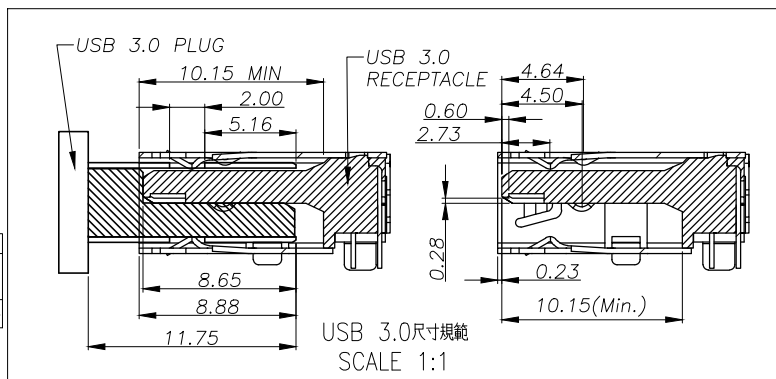
6. HALOGEN FREE IDENTIFICATION LABEL ON PACKAGING: 

7. FOR IR - REFLOW LEAD-FREE PROCESS.

8. DATE : YYMMDD

9. PACKAGING : TAPE & REEL.

Pin Number	Signal ASSIGNMENT
PIN 1	VBUS
PIN 2	D-
PIN 3	D+
PIN 4	GND
PIN 5	StdA_SSRX-
PIN 6	StdA_SSRX+
PIN 7	GND_DRAIN
PIN 8	StdA_SSTX-
PIN 9	StdA_SSTX+



NO	DESCRIPTION	QTY	MATERIAL	PLATING & COLOR
G	SHELL COVER	1	STAINLESS STEEL	
F	MYLAR	2	KAPTON 4.0x4.0	YELLOW
E	TERMINAL	5	COPPER ALLOY	2u" GOLD OVER 30u"Pd PLATED ON MATING AREA, 120u" TIN PLATED ON SOLDERING AREA, 80u" NICKEL UNDER PLATING OVERALL
D	TERMINAL	4	COPPER ALLOY	
C	SHELL	1	STAINLESS STEEL	NICKEL 60u"MIN
B	BASE	1	THERMOPLASTIC	RED
A	HOUSING	1	THERMOPLASTIC	RED

UNLESS OTHERWISE SPECIFIED TOLERANCES

Singatron Enterprise Co., Ltd.
信音企業股份有限公司

DECIMALS: X :±0.5
X.X :±0.3
X.XX :±0.2

TITLE	USB 3.0 CONNECTOR		
DWN	peng	PART NO.2UB4045-201101F	
CHKD	james	SCALE 1:1	UNIT: mm
APVD	boye	SIZE: A3	SHEET: 1 OF 1

CUSTOMER COPY