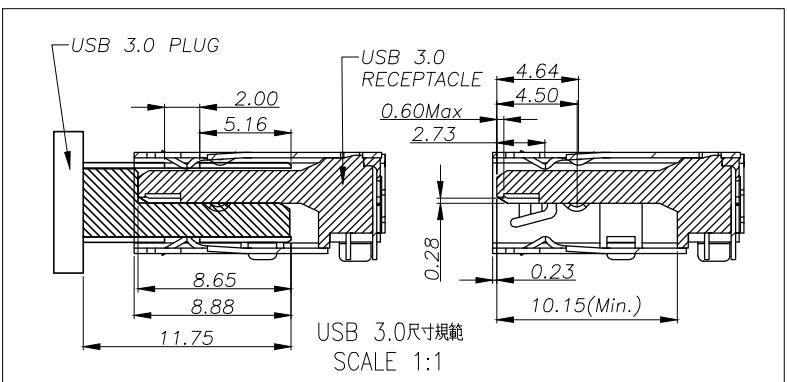
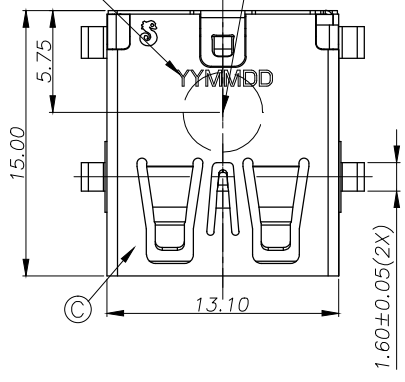
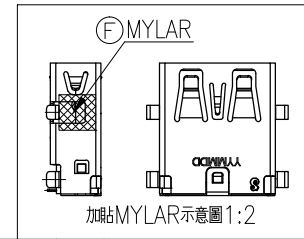
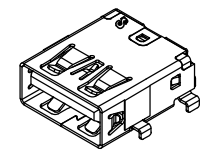
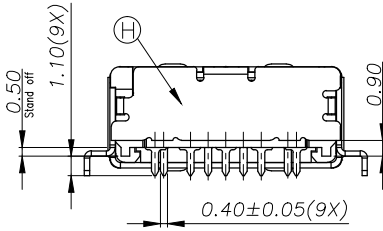
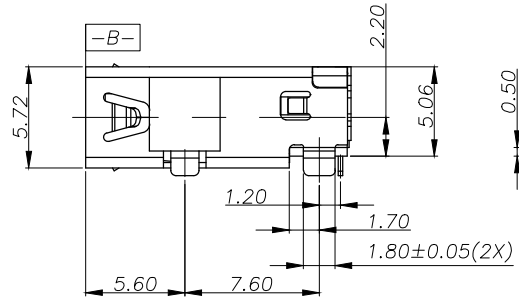
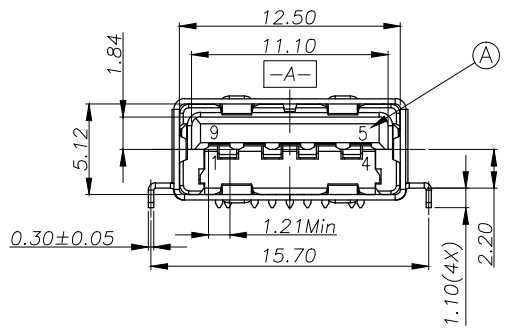


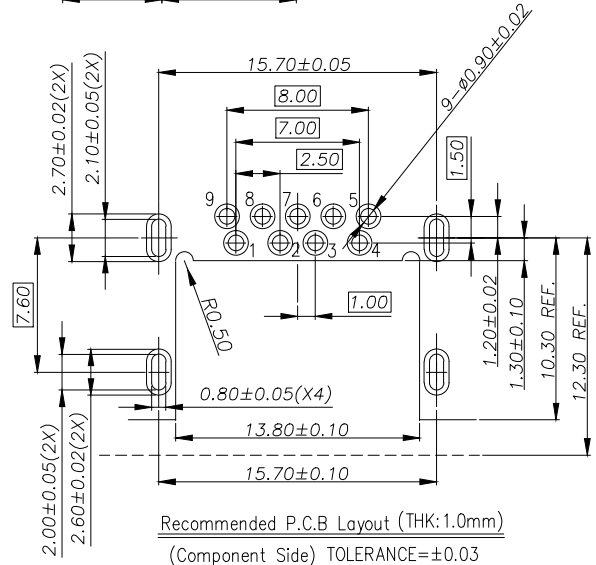
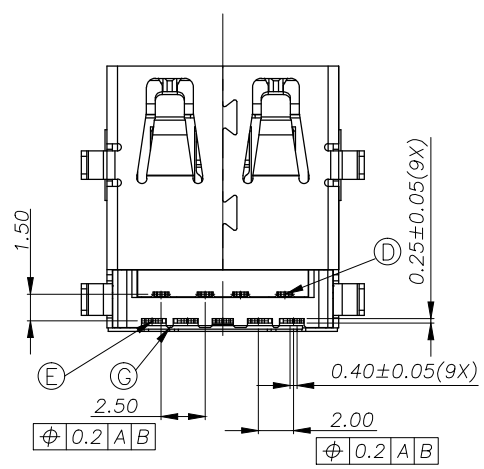
DATE CODE $\phi 4.5\text{mm}$ AVAILABLE VACUUM PICK UP AREA



USB 3.0尺寸規範 SCALE 1:1



Pin Number	Signal ASSIGNMENT
PIN 1	VBUS
PIN 2	D-
PIN 3	D+
PIN 4	GND
PIN 5	StdA_SSRX-
PIN 6	StdA_SSRX+
PIN 7	GND_DRAIN
PIN 8	StdA_SSTX-
PIN 9	StdA_SSTX+



Recommended P.C.B Layout (THK:1.0mm) (Component Side) TOLERANCE=±0.03

SPECIFICATIONS:

- ELECTRICAL CHARACTERISTICS:
 - 1-1. CURRENT RATING: 1.8A (PIN1,4) ; OTHER CONTACTS 0.25A
 - 1-2. CONTACT RESISTANCE: 30mΩ MAX.
 - 1-3. DIELECTRIC WITHSTANDING VOLTAGE: 100V AC FOR 1 MINUTE
 - 1-4. INSULATION RESISTANCE: 100MΩ MIN
- MECHANICAL CHARACTERISTICS:
 - 2-1. INSERTION FORCE : 3.5 Kgf MAX
 - 2-2. WITHDRAWAL FORCE : 1.0 Kgf(INITIAL),0.8Kgf(AFTER TEST)
- DURABILITY: 5,000 CYCLES.
- TO CONFORM TO SINGATRON HAZARDOUS SUBSTANCE FREE SPEC.
- HALOGEN PRODUCT IDENTIFICATION MARK ON JACK:
- HALOGEN PRODUCT IDENTIFICATION LABEL ON PACKAGING:
- FOR IR-REFLOW LEAD-FREE PROCESS.
- DATE : YYMMDD
- PACKAGING : TAPE & REEL.

NO	DESCRIPTION	QTY	MATERIAL	PLATING & COLOR
H	SHELL	1	STAINLESS STEEL	
G	MYLAR	1		
F	MYLAR	2		
E	TERMINAL	5	COPPER ALLOY	2u" Au OVER 30u" Ni PLATED ON MATING AREA, 100u" Matte Sn PLATED ON SOLDERING 80u" NICKEL UNDER PLATING OVERALL
D	TERMINAL	4	COPPER ALLOY	2u" Au OVER 30u" Ni PLATED ON MATING AREA, 100u" Matte Sn PLATED ON SOLDERING 80u" NICKEL UNDER PLATING OVERALL
C	SHELL	1	STAINLESS STEEL	NICKEL 60u" MIN
B	BASE	1	THERMOPLASTIC	BLACK
A	HOUSING	1	THERMOPLASTIC	BLACK

UNLESS OTHERWISE SPECIFIED TOLERANCES		Singatron Enterprise Co., Ltd. 信音企業股份有限公司	
DECIMALS:	ANGLES:	TITLE	USB 3.0 CONNECTOR
X : ±0.50	X : ±2°	DWN	peng PART NO.2UB4045-700101F
X.X : ±0.38	X.X : ±1°	CHKD	james SCALE 1:1 UNIT: mm
X.XX : ±0.30		APVD	boye SIZE: A3 SHEET: 1 OF 1 REV: B
CUSTOMER COPY			