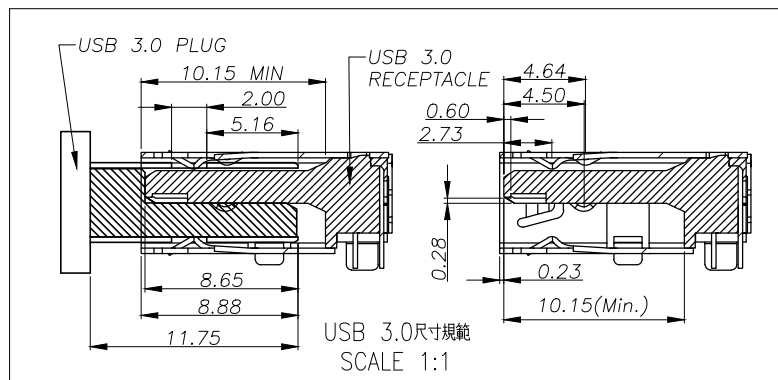
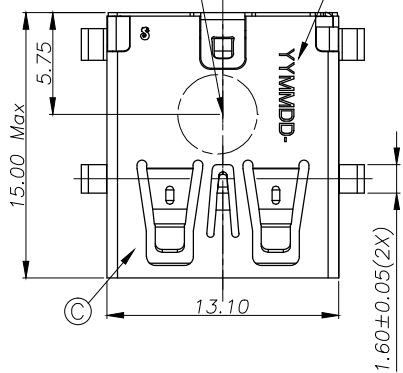


ø4.5mm AVAILABLE  
VACUUM PICK UP AREA

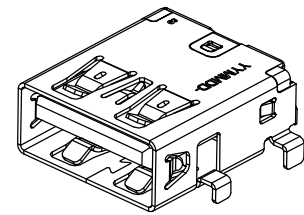
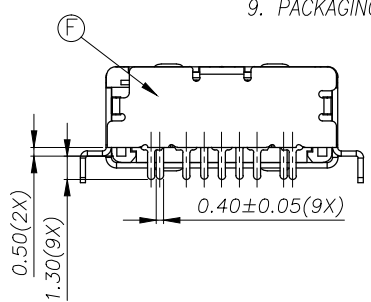
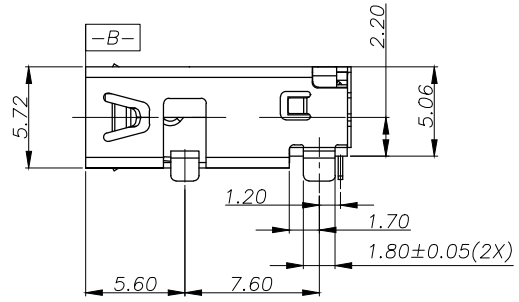
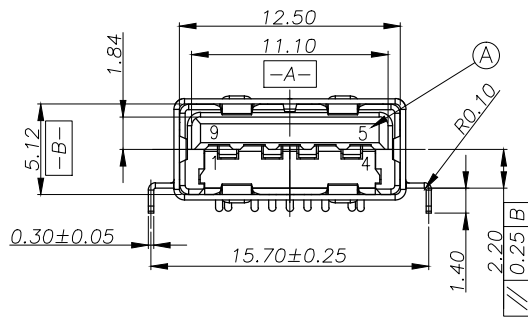
DATE CODE



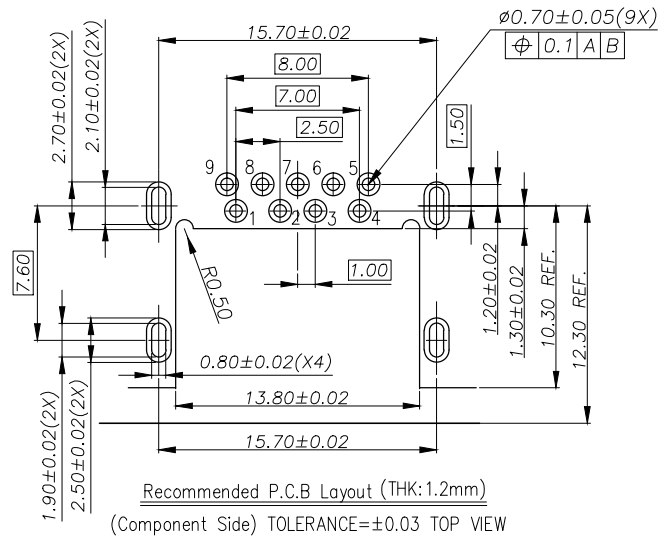
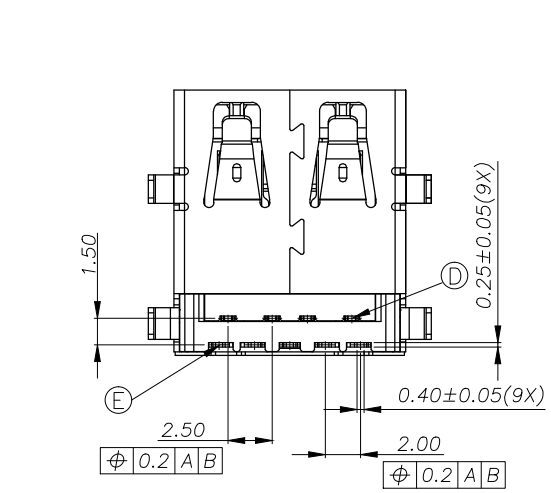
SPECIFICATIONS:

- ELECTRICAL CHARACTERISTICS:
  - CURRENT RATING: 1.8A (PIN1,4) ; OTHER CONTACTS 0.25A
  - CONTACT RESISTANCE: 30mΩ MAX.
  - DIELECTRIC WITHSTANDING VOLTAGE: 100V AC FOR 1 MINUTE
  - INSULATION RESISTANCE: 100MΩ MIN
- MECHANICAL CHARACTERISTICS:
 

INSERTION FORCE: INITIAL: 25N MAX. AFTER TEST: 25N MAX.  
EXTRACTION FORCE: INITIAL: 10N~25N AFTER TEST: 8N~25N
- DURABILITY: 5,000 CYCLES.
- TO CONFORM TO SINGATRON HAZARDOUS SUBSTANCE FREE SPEC.
- HALOGEN FREE IDENTIFICATION MARK ON JACK: Ⓢ
- HALOGEN FREE IDENTIFICATION LABEL ON PACKAGING:
- FOR IR RE-FLow PROCESS.
- DATE : YYMMDD
- PACKAGING : TAPE & REEL.



Pin Number	Signal ASSIGNMENT
PIN 1	VBUS
PIN 2	D-
PIN 3	D+
PIN 4	GND
PIN 5	StdA_SSRX-
PIN 6	StdA_SSRX+
PIN 7	GND_DRAIN
PIN 8	StdA_SSTX-
PIN 9	StdA_SSTX+



NO	DESCRIPTION	QTY	MATERIAL	PLATING & COLOR
F	SHELL COVER	1	STAINLESS STEEL	
E	TERMINAL	5	BRASS T0.25	2u"Au OVER 30u"Pd/Ni PLATED ON MATING AREA, 120u" Sn PLATED ON SOLDERING 80u"NICHEL UNDER PLATING OVERALL
D	TERMINAL	4	PHOSPHOR BRONZE T0.25	2u"Au OVER 30u"Pd/Ni PLATED ON MATING AREA, 120u" Sn PLATED ON SOLDERING 80u"NICHEL UNDER PLATING OVERALL
C	SHELL	1	STAINLESS STEEL T0.3	NICKEL 60u"MIN
B	BASE	1	PA-9T UL94-HB	BLACK
A	HOUSING	1	PA-9T UL94-HB	BLACK

UNLESS OTHERWISE SPECIFIED TOLERANCES		Singatron Enterprise Co., Ltd. 信音企業股份有限公司	
DECIMALS:	ANGLES:	TITLE	USB 3.0 CONNECTOR
X :±0.5	X :±2°	DWN peng	<b>PART NO.2UB4045-900101F</b>
X.X :±0.3	X.X :±1°	CHKD james	SCALE 1:1 UNIT: mm
X.XX :±0.2		APVD boye	SIZE: A3 SHEET: 1 OF 1 REV: C
<b>CUSTOMER COPY</b>			