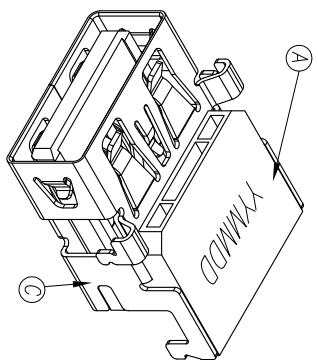
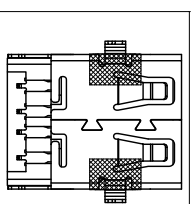
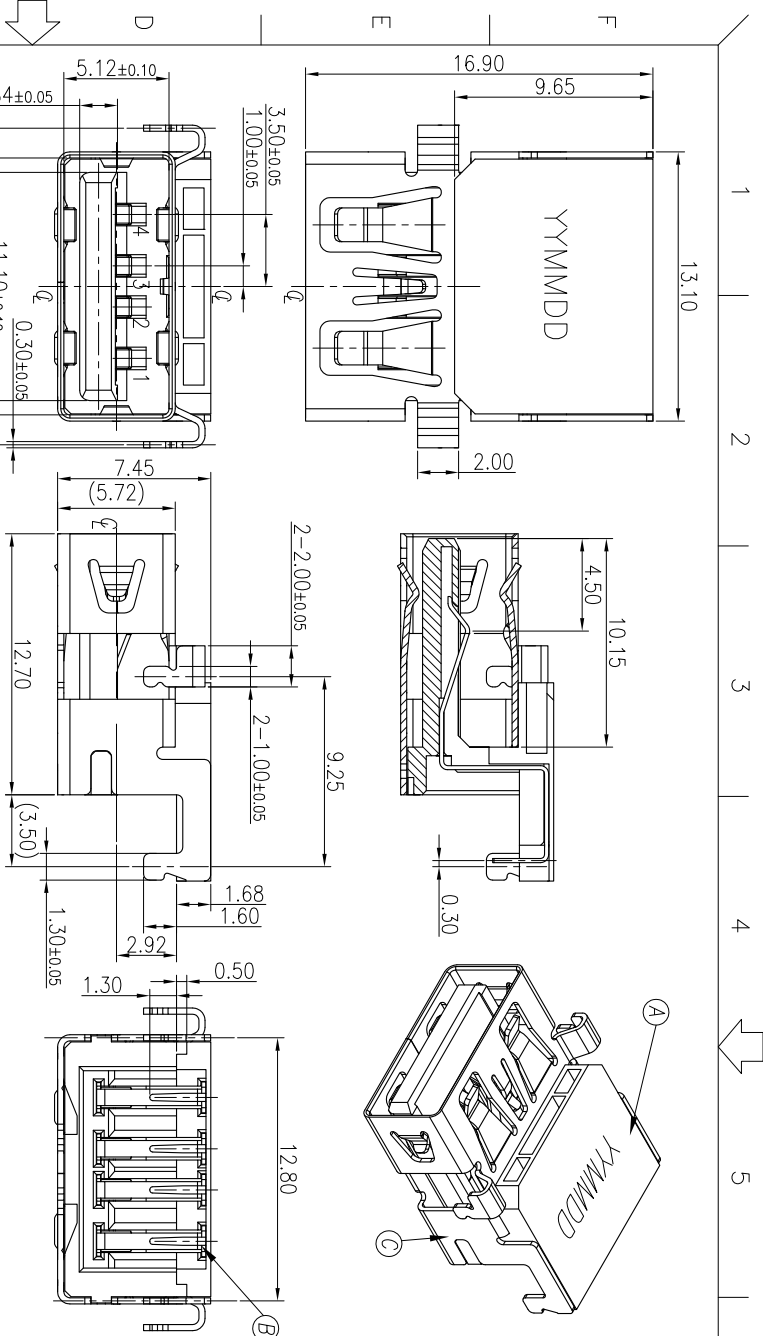


| REV. | ECN NO. | OR DESCRIPTION | REVISED | DATE |
|------|--------------------------|----------------|---------|----------|
| A | PDR NO: T130401-6A | | YUREN | 20130716 |
| B | ECN NO: S131020, S131239 | | YUREN | 20140603 |

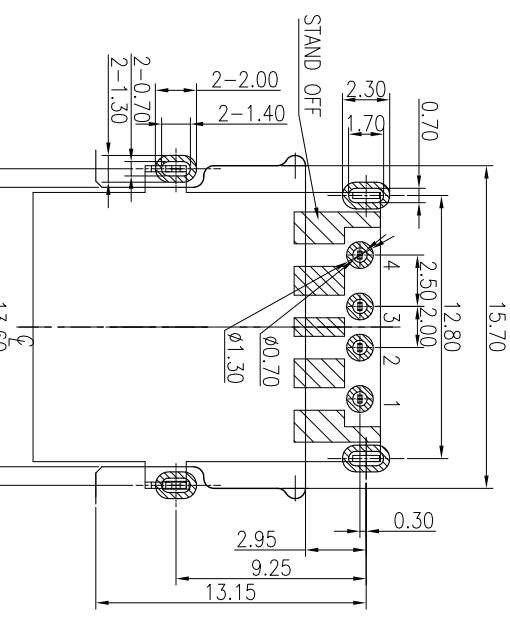
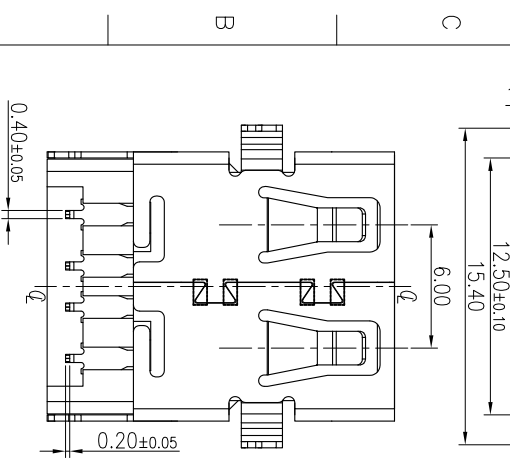


- SPECIFICATIONS:**
- ELECTRICAL CHARACTERISTICS:**
 - 1-1. CONTACT RESISTANCE: 30mΩ MAX
 - 1-2. DIELECTRIC WITHSTANDING VOLTAGE: 100V AC FOR 1 MINUTE
 - 1-3. INSULATION RESISTANCE: 100MΩ MIN. FOR 500V DC
 - MECHANICAL CHARACTERISTICS:**
 - 2-1. INSERTION FORCE: 1.0~3.5 Kgf
 - 2-2. WITHDRAWAL FORCE: 1.0~3.5 Kgf
 - DURABILITY:** 5,000 CYCLES.
 - TO CONFORM TO SINGATRON HAZARDOUS SUBSTANCE FREE SPEC.**
 - HALOGEN PRODUCT IDENTIFICATION LABEL ON PACKAGING.**
 - HALOGEN FREE PRODUCT IDENTIFICATION LABEL ON PACKAGING.**
 - DATE: YYMMDD**
 - PACKAGING: TAPE & REEL.**



STICK MYLAR SKETCH MAP

| Pin Number | Signal Assignment |
|------------|-------------------|
| PIN 1 | VBUS |
| PIN 2 | D- |
| PIN 3 | D+ |
| PIN 4 | GND |
| SHELL | Shield |



| NO. | DESCRIPTION | QTY | MATERIAL | PLATING & COLOR |
|-----|-------------|-----|----------------------------|---|
| D | MYLAR | 2 | KAPTON 5.0x8.0 | YELLOW |
| C | SHELL | 1 | STAINLESS STEEL | NICKEL 60U "MIN |
| B | TERMINAL | 4 | PHOSPHOR BRONZE | GOLD FLASH ON MATING AREA MATE TIN PLATED ON SOLDERING ALL OVER NICKEL PLATED |
| A | HOUSING | 1 | HIGH THERMOPLASTIC(UHMW-4) | BLACK |

UNLESS OTHERWISE SPECIFIED TOLERANCES

DECIMALS: ANGLES:

X ±0.5 X ±2°

XX ±0.3 XX ±1'

XXX ±0.2

Singatron Enterprise Co., Ltd.
信晉企業股份有限公司

TITLE: USB 2.0 CONNECTOR

DWN YUREN PART NO. 2UB4046-100111F

CHKD CERRY SCALE 4:1 UNIT: mm

APVD MAX SIZE: A3 SHEET: 1 OF 1 REV: B

CUSTOMER COPY