
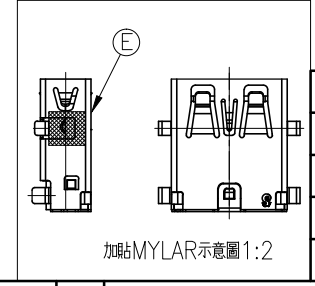
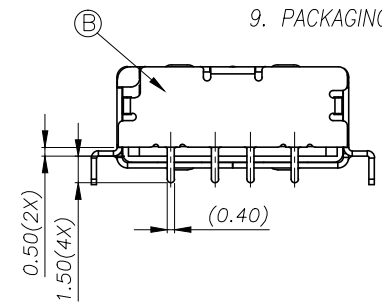
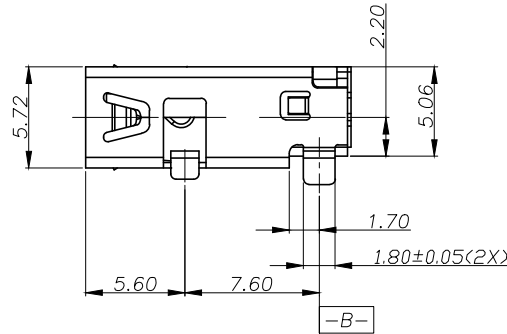
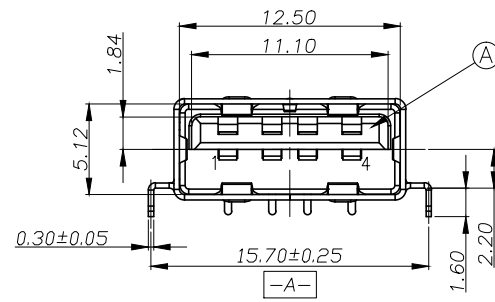
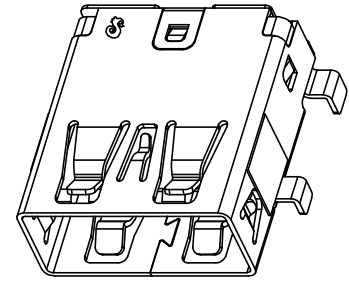
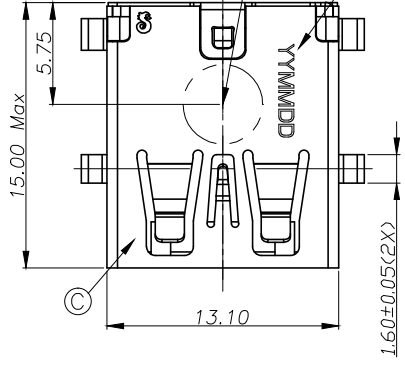


REV.	ECN NO OR DESCRIPTION	REVISED	DATE
B	ECN NO: T120125	Duke	2013.05.23
C	ECN NO: T140008	STRONG	2014.03.07
D	ECN NO:S160553-E	peng	2016.07.28

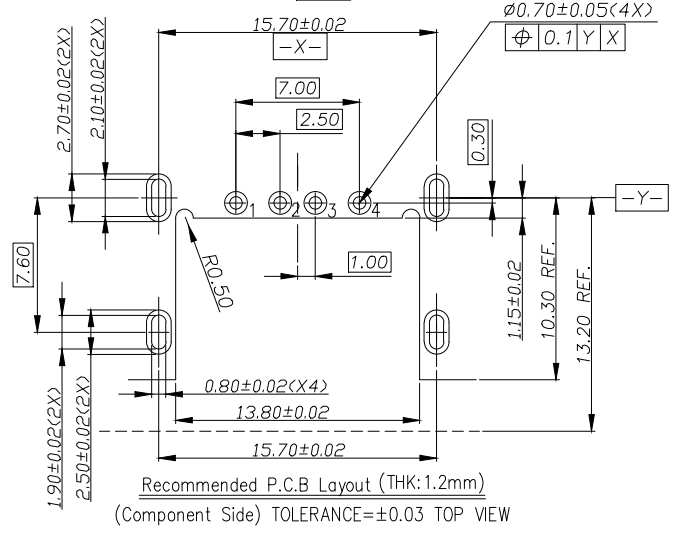
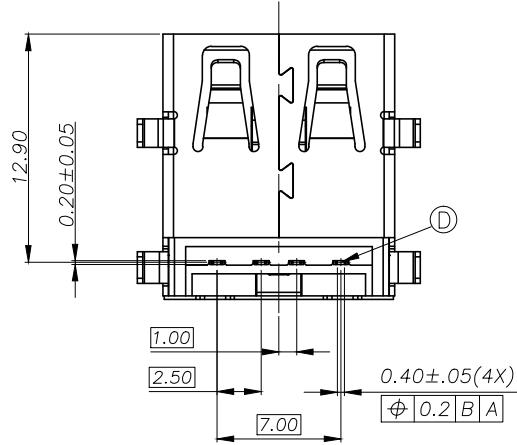
SPECIFICATIONS:

- ELECTRICAL CHARACTERISTICS:
 - CURRENT RATING: 1.8A (PIN1,4)
 - CONTACT RESISTANCE: 30mΩ MAX.
 - DIELECTRIC WITHSTANDING VOLTAGE: 500V AC FOR 1 MINUTE
 - INSULATION RESISTANCE: 1000MΩ MIN
- MECHANICAL CHARACTERISTICS:
 - INSERTION FORCE : 3.5 Kgf MAX
 - WITHDRAWAL FORCE : 1.0 Kgf MIN
- DURABILITY: 5,000 CYCLES.
- TO CONFORM TO SINGATRON HAZARDOUS SUBSTANCE FREE SPEC.
- HALOGEN FREE IDENTIFICATION MARK IN JACK: ©
- HALOGEN FREE IDENTIFICATION LABEL ON PACKAGING: 
- FOR WAVE SOLDERING LEAD-FREE PROCESS.
- DATE : YYMMDD
- PACKAGING : TAPE & REEL.

ø4.5mm AVAILABLE
VACUUM PICK UP AREA
DATE CODE



Pin Number	Signal ASSIGNMENT
PIN 1	VBUS
PIN 2	D-
PIN 3	D+
PIN 4	GND



NO	DESCRIPTION	QTY	MATERIAL	PLATING & COLOR
E	MYLAR	2	KAPTON 4.0x4.0	YELLOW
D	TERMINAL	4	COPPER ALLOY	GOLD FLASH PLATED ON MATING AREA, Sn100u" Min. PLATED ON SOLDERING 50u" NICKEL UNDER PLATING OVERALL
C	SHELL	1	STAINLESS STEEL	NICKEL 60u" MIN
B	SHELL COVER	1	STAINLESS STEEL	
A	HOUSING	1	THERMOPLASTIC	BLACK

UNLESS OTHERWISE SPECIFIED TOLERANCES		Singatron Enterprise Co., Ltd. 信音企業股份有限公司	
DECIMALS:	ANGLES:	TITLE	USB 2.0 CONNECTOR
X : ±0.5	X : ±2°	DWN	PENG PART NO.2UB4052-000111F
X.X : ±0.3	X.X : ±1°	CHKD	JAMES SCALE 1:1 UNIT: mm
X.XX : ±0.2		APVD	BOYE SIZE: A3 SHEET: 1 OF 1 REV: D
CUSTOMER COPY			