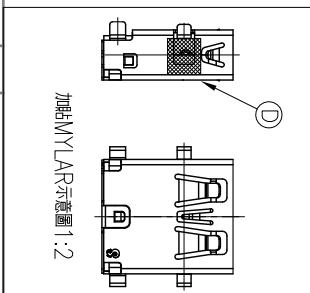
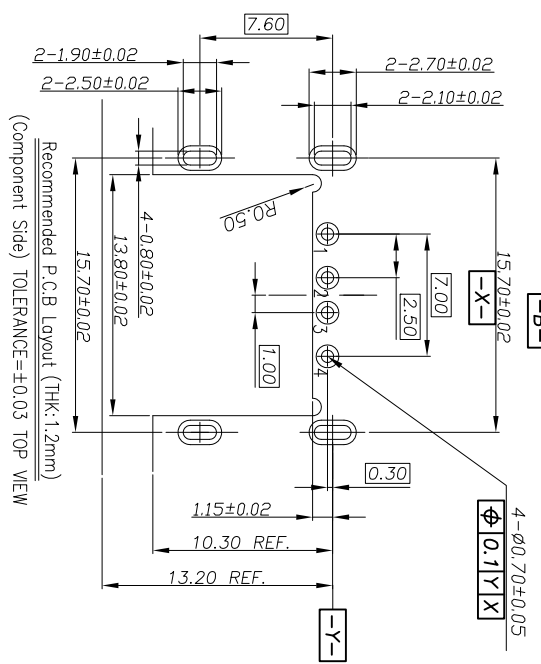
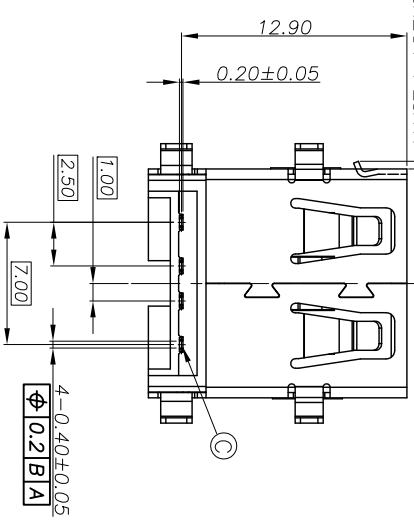
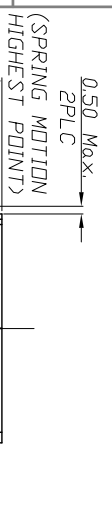
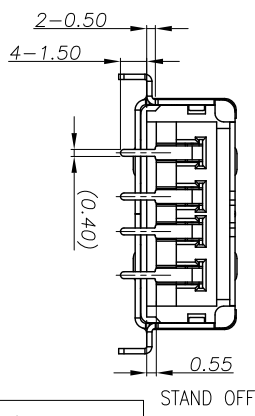
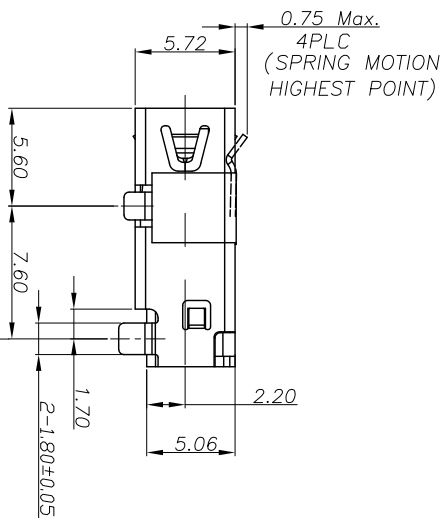
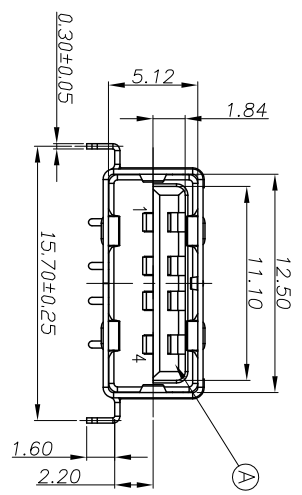
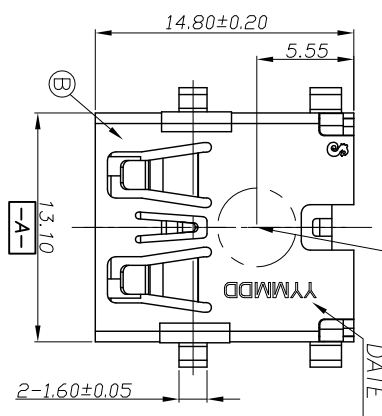
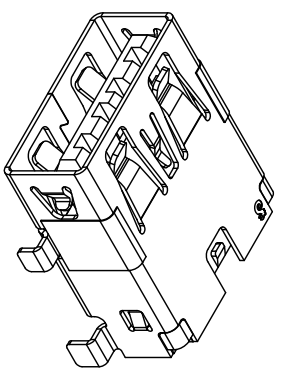


REV.	ECN NO OR DESCRIPTION	REVISED	DATE
A	PDR NO: T170224-2A	Eileen	2017.03.20
B	ECN NO: S170431-C	peng	2017.05.16

SPECIFICATIONS:

- ELECTRICAL CHARACTERISTICS:**
 - 1-1. CURRENT RATING: 1.8A (PIN1,4)
 - 1-2. CONTACT RESISTANCE: 30mΩMAX.
 - 1-3. DIELECTRIC WITHSTANDING VOLTAGE: 100V AC FOR 1 MINUTE
 - 1-4. INSULATION RESISTANCE: 100MΩMIN
- MECHANICAL CHARACTERISTICS:**
 - 2-1. INSERTION FORCE : 25N MAX.
 - 2-2. WITHDRAWAL FORCE : 10N MIN
- DURABILITY:** 5,000 CYCLES.
- TO CONFORM TO SINGATRON HAZARDOUS SUBSTANCE FREE SPEC.**
- HALOGEN FREE IDENTIFICATION MARK ON JACK:**
- HALOGEN FREE IDENTIFICATION LABEL ON PACKAGING:**
- FOR IR REFLOW PROCESS.**
- PACKAGING :** TAPE & REEL.
- DATE :** YYMMDD



Pin Number	Signal ASSIGNMENT
PIN 1	VBUS
PIN 2	D-
PIN 3	D+
PIN 4	GND

NO	DESCRIPTION	QTY	MATERIAL	PLATING & COLOR
D	MYLAR	2	KAPTON 4.0x4.0	YELLOW
C	TERMINAL	4	C5210 0.2T	GOLD FLASH PLATED ON MATING AREA, 50μ"MIN. PLATED ON SOLDERING 50μ"NICHEL UNDER PLATING OVERALL
B	SHELL	1	SUS304 0.2T	NICKEL 60μ"MIN
A	HOUSING	1	PA9T+30%GF UL94V-HB	BLACK

UNLESS OTHERWISE SPECIFIED TOLERANCES

DECIMALS: ANGLES:

X : ±0.5 X : ±2°

X.X : ±0.3 X.X : ±1°

X.XX : ±0.2

Singatron Enterprise Co., Ltd.
信音企業股份有限公司

TITLE: USB 2.0 CONNECTOR

DWN: peng **PART NO: RUB4052-001111F**

CHKD: James SCALE 1:1 UNIT: mm

APVD: boye SIZE: A3 SHEET: 1 OF 1 **REV: B**

CUSTOMER COPY

