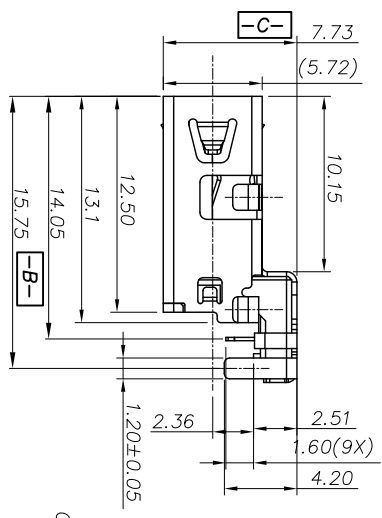
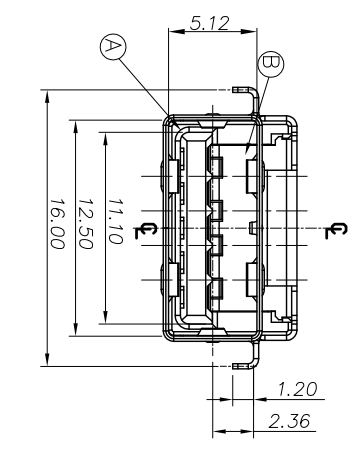
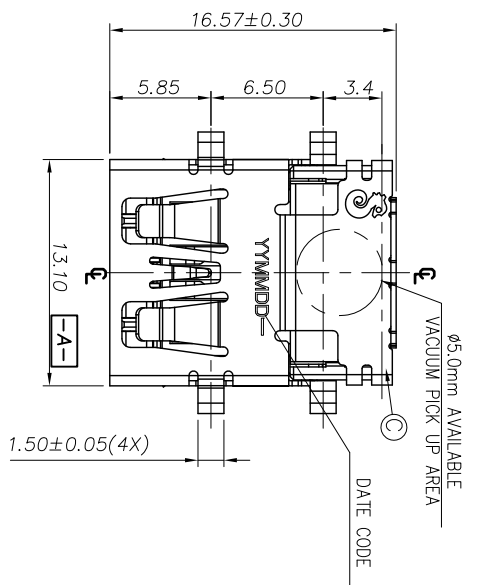
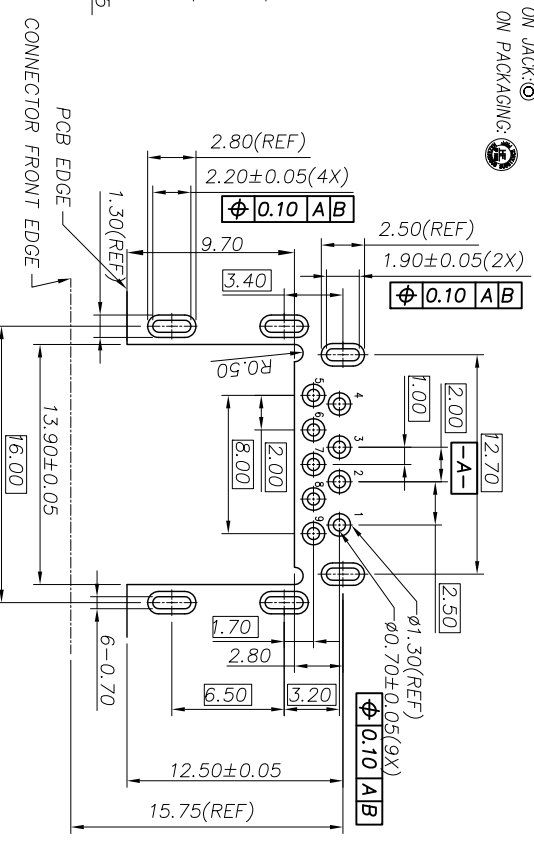


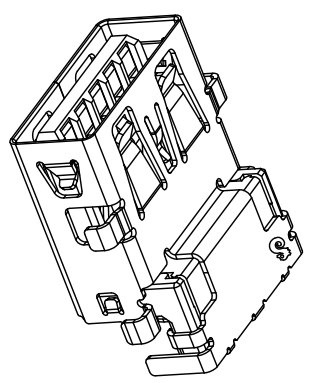
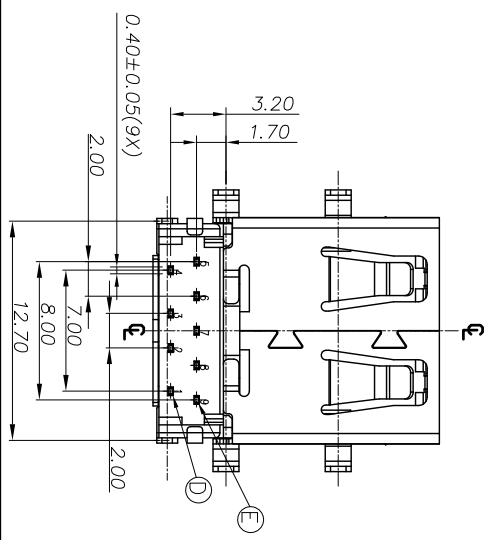
REV	ECN NO OR DESCRIPTION	REVISED	DATE
A.	PDR NO: TT20322-6A	fly	2012.9.03



- SPECIFICATIONS:
- ELECTRICAL CHARACTERISTICS:
 - CURRENT RATING: 1.8A (PIN1, 4) ; OTHER CONTACTS 0.25A
 - CONTACT RESISTANCE: 30mΩ MAX.
 - DIELECTRIC WITHSTANDING VOLTAGE: 100V AC FOR 1 MINUTE
 - INSULATION RESISTANCE: 100MΩ MIN
 - MECHANICAL CHARACTERISTICS:
 - INSERTION FORCE : 3.5 KgF MAX
 - WITHDRAWAL FORCE : 1.0*kgf MIN(INITIAL),0.8 KgF(AFTER TEST)
 - DURABILITY: 5,000 CYCLES.
 - TO CONFORM TO SINGATRON HAZARDOUS SUBSTANCE FREE SPEC.
 - HALOGEN PRODUCT IDENTIFICATION MARK ON JACK: Ⓢ
 - HALOGEN PRODUCT IDENTIFICATION LABEL ON PACKAGING Ⓢ
 - FOR IR REFLOW PROCESS.
 - DATE : YMMD-
 - PACKAGING : TAPE & REEL.



Recommended P.C.B Layout(TOP VIEW)
TOLERANCE = ±0.05(THK: 1.20mm)



Pin	Signal NAME	E	5- TERMINAL	5	COOPER ALLOY T=0.20	GOOD FLASH ON MATING AREA	
1	VBUS	D	4- TERMINAL	4	COOPER ALLOY T=0.20	MATE 5μ 100° ON SOLDERING AREA	
2	D-	C	SHELL	1	STAINLESS STEEL T=0.30	80μ NICKEL UNDER PLATING OVERALL	
3	D+	B	BASE	1	HIGH THERMOPLASTIC	NICKEL 60μ MIN	
4	GND	A	HOUSING	1	HIGH THERMOPLASTIC	BLUE (300C)	
5	GND	NO	DESCRIPTION	1	PLATING & COLOR	BLUE (300C)	
6	SIDA_SSRX+	UNLESS OTHERWISE SPECIFIED TOLERANCES					
7	GND_DRAIN	DECIMALS: ANGLES:					
8	SIDA_SSTX-	X.XX : ±0.5	X : ±2°				
9	SIDA_SSTX+	X.XX : ±0.3	X.X : ±1°				
		X.XX : ±0.2					

Singatron Enterprise Co., Ltd. 信登企業股份有限公司	
TITLE	USB 3.0 REVERSE CONNECTOR
DWG	Rev: 2012.9.14
CHKD	Rev: 2012.9.14
APVD	Rev: 2012.9.14
PART NO. 2UB4054-000101F SCALE 1:1 UNIT: mm SIZE: A3 SHEET: 1 OF 1 REV: A CUSTOMER COPY	