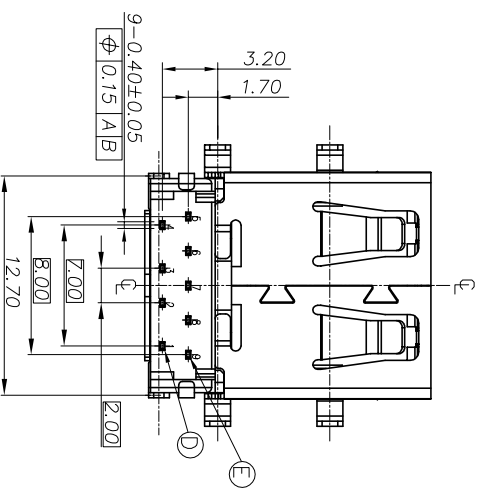
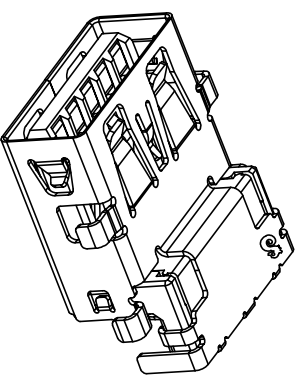
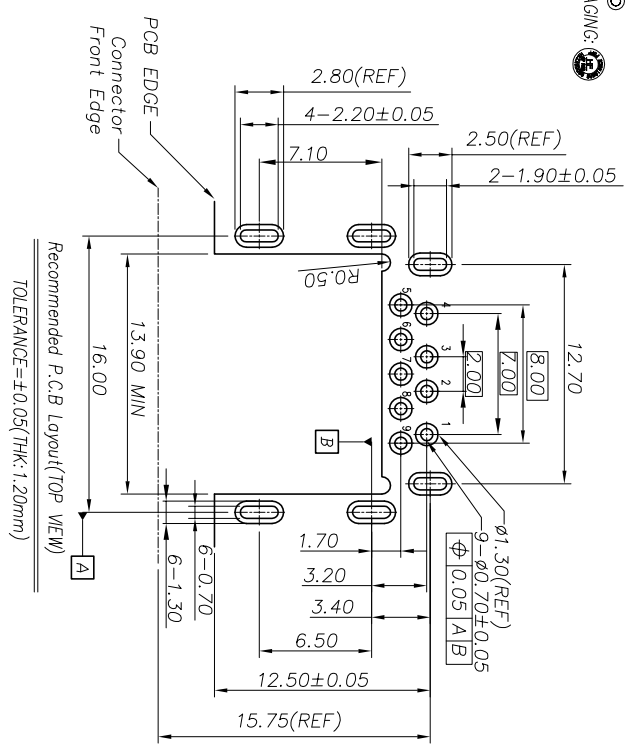


- SPECIFICATIONS:**
- ELECTRICAL CHARACTERISTICS:
    - CURRENT RATING: 1.8A (PIN1, 4) ; OTHER CONTACTS 0.25A
    - CONTACT RESISTANCE: 30mΩ MAX.
    - DIELECTRIC WITHSTANDING VOLTAGE: 100V AC FOR 1 MINUTE
    - INSULATION RESISTANCE: 100MΩ MIN
  - MECHANICAL CHARACTERISTICS:
    - INSERTION FORCE : 3.5 Kgf MAX
    - WITHDRAWAL FORCE : 1.0 Kgf MIN(INITIAL), 0.8 Kgf(AFTER TEST)
  - DURABILITY: 5,000 CYCLES.
  - TO CONFORM TO SINGATRON HAZARDOUS SUBSTANCE FREE SPEC.
  - HALOGEN PRODUCT IDENTIFICATION MARK ON JACK: Ⓢ
  - HALOGEN PRODUCT IDENTIFICATION LABEL ON PACKAGING Ⓢ
  - FOR IR REFLOW PROCESS.
  - DATE : YMMD-
  - PACKAGING : TAPE & REEL.



| Pin | Signal NAME | E                                     | 5-TERMINAL  | 5   | COPPER ALLOY T=0.20    | 2um Au+30um Pb/AI ON MATING AREA, NATEL 5u 120um ON SOLDERING AREA, 80um NICKEL UNDER PLATING OVERALL |  |
|-----|-------------|---------------------------------------|-------------|-----|------------------------|---|--|
| 1   | VBUS        | D                                     | 4-TERMINAL  | 4   | COPPER ALLOY T=0.20    |   |  |
| 2   | D-          | C                                     | SHELL       | 1   | STAINLESS STEEL T=0.30 | NICKEL 60um MIN   |  |
| 3   | D+          | B                                     | BASE        | 1   | HIGH THERMOPLASTIC     | BLUE  |  |
| 4   | GND         | A                                     | HOUSING     | 1   | HIGH THERMOPLASTIC     | BLUE  |  |
| 5   | GND         | NO                                    | DESCRIPTION | QTY | MATERIAL               | PLATING & COLOR   |  |
| 6   | SIDA_SSRX+  | UNLESS OTHERWISE SPECIFIED TOLERANCES |             |     |                        |   |  |
| 7   | GND_DRAIN   | DECIMALS: ANGLES:                     |             |     |                        |   |  |
| 8   | SIDA_SSTX-  | X : ±0.5                              | X : ±2°     |     |                        |   |  |
| 9   | SIDA_SSTX+  | X.X : ±0.3                            | X.X : ±1°   |     |                        |   |  |
|     |             | X.XX : ±0.2                           |             |     |                        |   |  |

Singatron Enterprise Co., Ltd.  
信譽企業股份有限公司

TITLE: USB 3.0 REVERSE CONNECTOR

DWM: ken PART NO. 2UB4054-200101F

CHKD: Cery SCALE 1:1 UNIT: mm

APVD: Max SIZE: A3 SHEET: 1 OF 1 REV: A

CUSTOMER COPY

| REV | ECN NO          | OR DESCRIPTION | REVISED    | DATE |
|-----|-----------------|----------------|------------|------|
| A   | ECN NO: S131205 | Ken            | 2014.04.17 |      |