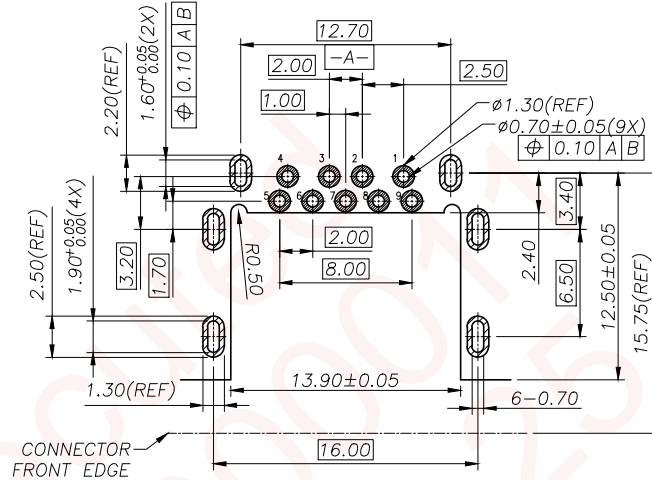
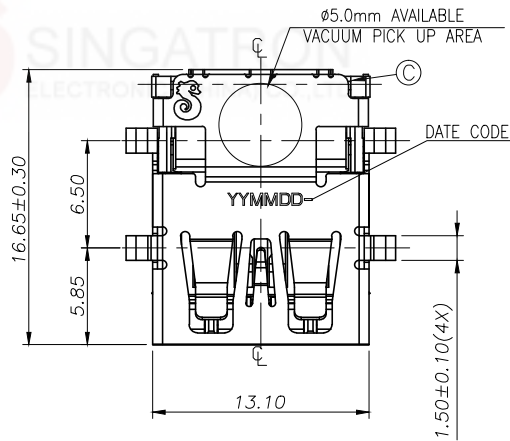


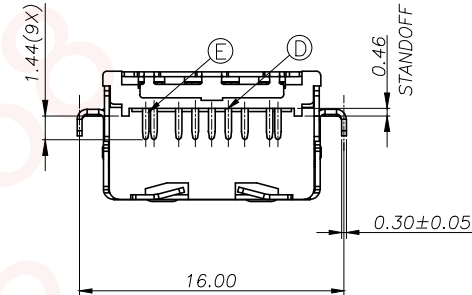
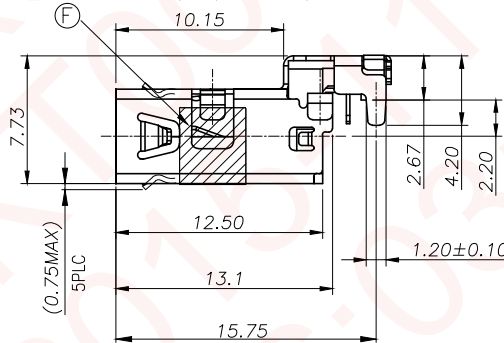
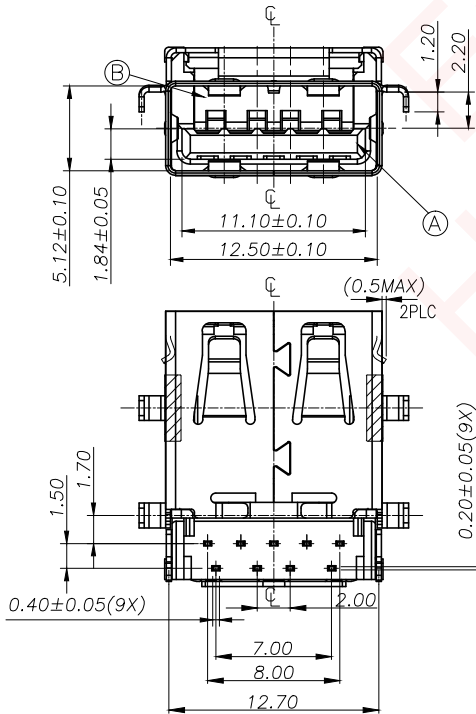
REV.	ECN NO OR DESCRIPTION	REVISED	DATE
A	PDR NO: T141015-2A	JACK	2015.11.17



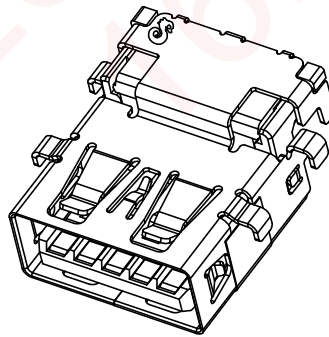
SPECIFICATIONS:

- ELECTRICAL CHARACTERISTICS:**
 - CURRENT RATING: 1.8A (PIN1,4) ; OTHER CONTACTS 0.25A
 - CONTACT RESISTANCE: 30mΩ MAX.
 - DIELECTRIC WITHSTANDING VOLTAGE: 100V AC FOR 1 MINUTE
 - INSULATION RESISTANCE: 100MΩ MIN
- MECHANICAL CHARACTERISTICS:**
 - INSERTION FORCE : 3.5 Kgf MAX
 - WITHDRAWAL FORCE : 1.0 Kgf MIN(INITIAL),0.8 Kgf(AFTER TEST)
- DURABILITY:** 5,000 CYCLES.
- TO CONFORM TO SINGATRON HAZARDOUS SUBSTANCE FREE SPEC.
- HALOGEN FREE IDENTIFICATION MARK ON JACK:
- HALOGEN FREE IDENTIFICATION LABEL ON PACKAGING:
- FOR IR REFLOW PROCESS.
- DATE : YYMMDD-
- PACKAGING : TAPE & REEL.

Recommended P.C.B Layout (THICKNESS=1.0mm)
(Component Side) TOLERANCE=±0.03 (Top View)



Pin	Signal NAME
1	VBUS
2	D-
3	D+
4	GND
5	StdA_SSRX-
6	StdA_SSRX+
7	GND_DRAIN
8	StdA_SSTX-
9	StdA_SSTX+



NO	DESCRIPTION	QTY	MATERIAL	PLATING & COLOR
F	MYLAR	2	4.00X5.6mm	YELLOW
E	TERMINAL	5	C2680-H ,T=0.20	2uin Au+3uin Pd/Ni (Min) ON MATING AREA, Matte Sn 120uin (Min) ON SOLDERING AREA, 80uin (Min) NICKEL UNDER PLATING OVERALL
D	TERMINAL	4	C5210-EH ,T=0.20	
C	SHELL	1	SUS304 1/2H, T=0.30	NICKEL 60uin MIN
B	BASE	1	PA9T+45%GF,UL94-v0	BLACK
A	HOUSING	1	PA9T+45%GF,UL94-v0	BLACK
UNLESS OTHERWISE SPECIFIED TOLERANCES				
DECIMALS: ANGLES:				
X	:±0.5	X	:±2°	
X.X	:±0.3	X.X	:±1°	
X.XX	:±0.2			
TITLE		USB 3.0 REVERSE CONNECTOR		
DWN	JACK	PART NO.2UB4054-800101F		
CHKD	SCALE 1:1	UNIT: mm		
APVD	SIZE: A3	SHEET:1 OF 1	REV:A	
CUSTOMER COPY				