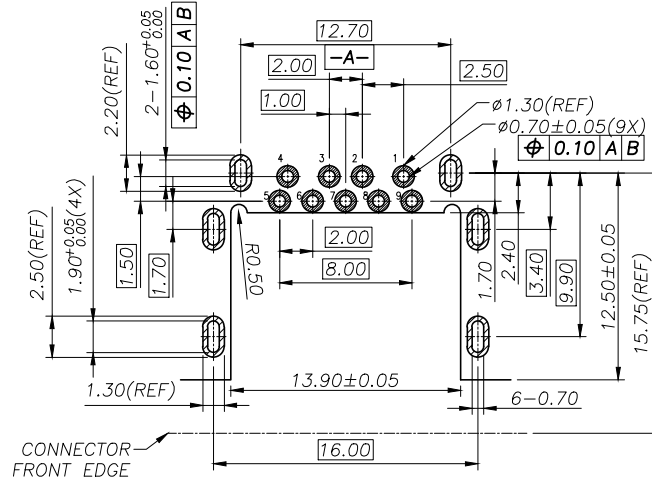
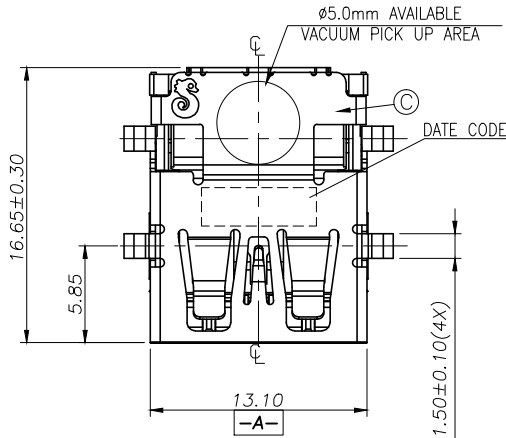


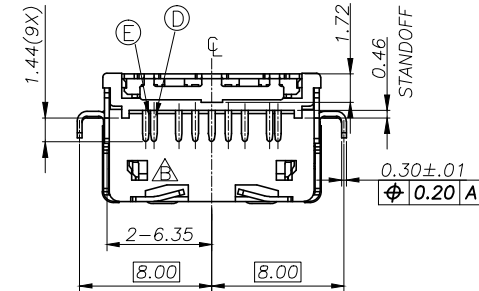
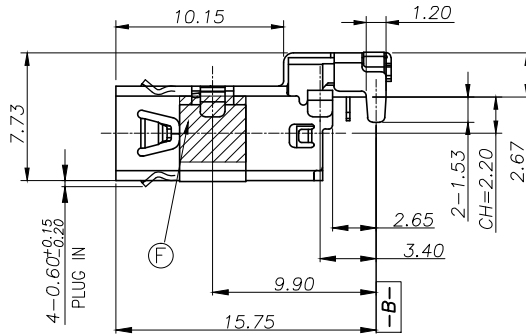
REV.	ECN NO OR DESCRIPTION	REVISED	DATE
A	PDR NO: T171013-3A	He	2017.11.29
B	ECN NO: S180749-C	Charles	2019.01.20



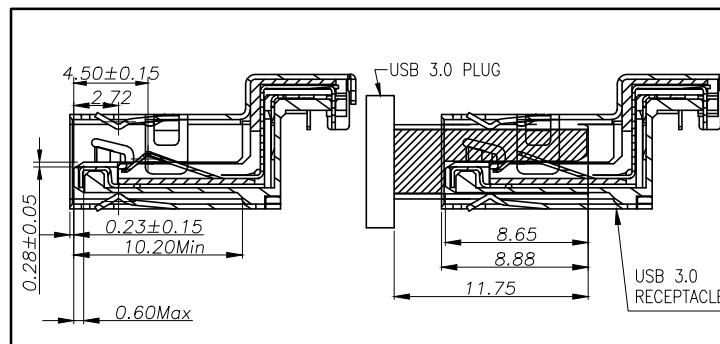
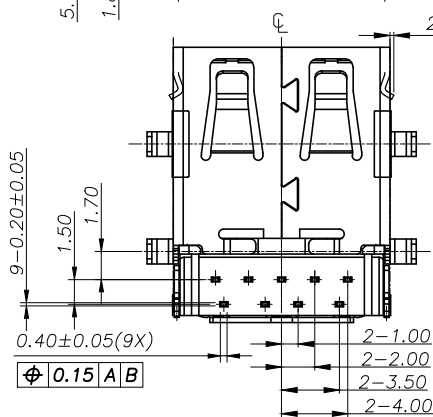
**SPECIFICATIONS:**

- ELECTRICAL CHARACTERISTICS:**
  - CURRENT RATING: 1.8A (PIN1,4) ; OTHER CONTACTS 0.25A
  - CONTACT RESISTANCE: 30mΩ MAX.
  - DIELECTRIC WITHSTANDING VOLTAGE: 100V AC FOR 1 MINUTE
  - INSULATION RESISTANCE: 100MΩ MIN
- MECHANICAL CHARACTERISTICS:**
  - INSERTION FORCE : 2.5 Kgf MAX
  - WITHDRAWAL FORCE : 1.0 Kgf MIN(INITIAL),0.8 Kgf(AFTER TEST)
- DURABILITY:** 5,000 CYCLES.
- TO CONFORM TO SINGATRON HAZARDOUS SUBSTANCE FREE SPEC.
- HALOGEN FREE IDENTIFICATION MARK ON JACK:
- HALOGEN FREE IDENTIFICATION LABEL ON PACKAGING:
- FOR IR REFLOW PROCESS.
- DATE : YYMMDD-
- PACKAGING : TAPE & REEL.

Recommended P.C.B Layout (THICKNESS=1.0mm)  
(Component Side) TOLERANCE=±0.03 (Top View)



Pin	Signal NAME
1	VBUS
2	D-
3	D+
4	GND
5	Std_A_SSRX-
6	Std_A_SSRX+
7	GND_DRAIN
8	Std_A_SSTX-
9	Std_A_SSTX+



USB 3.0尺寸規範  
SCALE 1:1

F	MYLAR	2	4.00X4.00mm	YELLOW
E	TERMINAL	5	C2680-H ,T=0.20	2µin Au+30µin Pd/Ni (Min) ON MATING AREA, Matte Sn 120µin (Min) ON SOLDERING AREA, 80µin (Min) NICKEL UNDER PLATING OVERALL
D	TERMINAL	4	C5210-EH ,T=0.20	
C	SHELL	1	SUS304 1/2H, T=0.30	NICKEL 60µin MIN
B	BASE	1	PA9T+45%GF,UL94-V0	BLACK
A	HOUSING	1	PA4T+30%GF,UL94-V0	BLACK
NO	DESCRIPTION	QTY	MATERIAL	PLATING & COLOR
UNLESS OTHERWISE SPECIFIED TOLERANCES		Singatron Enterprise Co., Ltd. 信音企業股份有限公司		
DECIMALS:		TITLE		
X	:±0.5	USB 3.0 REVERSE CONNECTOR		
X.X	:±0.3	DWN	Charles	PART NO.2UB4054-800301F
X.XX	:±0.2	CHKD	James	SCALE 1:1 UNIT: mm
		APVD	Boye	SIZE: A3 SHEET:1 OF 1 REV:B
<b>CUSTOMER COPY</b>				