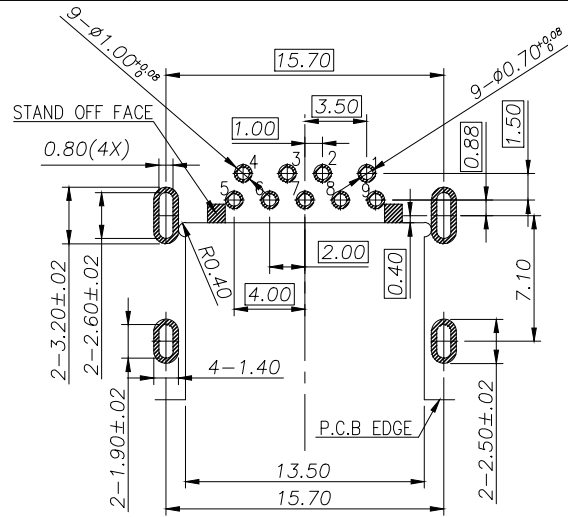
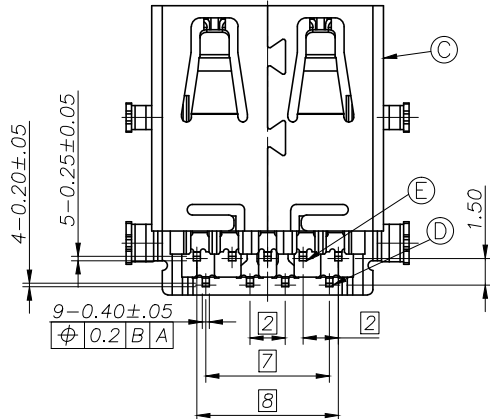
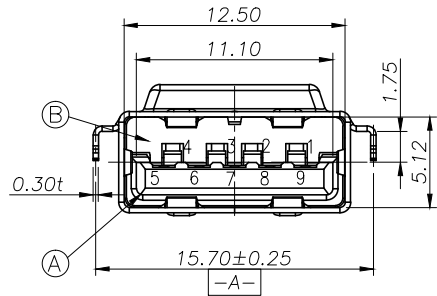
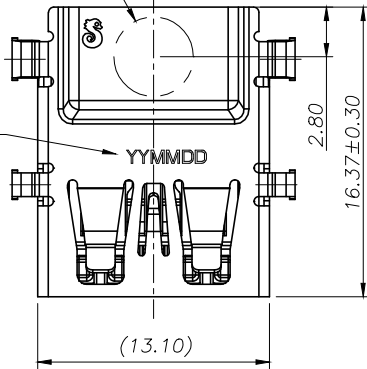
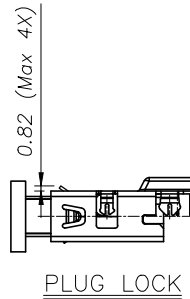
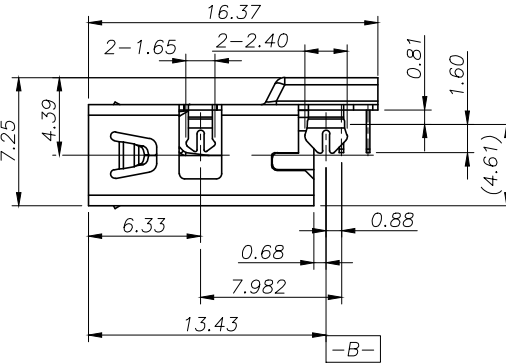


∅4.5mm AVAILABLE VACUUM PICK UP AREA

DATE CODE

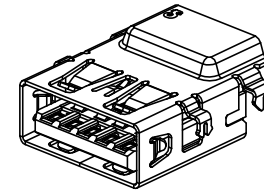


Recommended P.C.B Layout (THICKNESS=1.2mm)
(Component Side) TOLERANCE=±0.03 TOP VIEW



SPECIFICATIONS:

- ELECTRICAL CHARACTERISTICS:
 - 1-1. CURRENT RATING: 1.8A (PIN1,4) ; OTHER CONTACTS 0.25A
 - 1-2. CONTACT RESISTANCE: 30mΩ MAX.
 - 1-3. DIELECTRIC WITHSTANDING VOLTAGE: 100V AC FOR 1 MINUTE
 - 1-4. INSULATION RESISTANCE: 100MΩ MIN
- MECHANICAL CHARACTERISTICS:
 - 2-1. INSERTION FORCE : 3.5 Kgf MAX
 - 2-2. WITHDRAWAL FORCE : 1.0 Kgf MIN(INITIAL),0.8 Kgf MIN(AFTER TEST)
- DURABILITY: 5,000 CYCLES.
- TO CONFORM TO SINGATRON HAZARDOUS SUBSTANCE FREE SPEC.
- HALOGEN FREE PRODUCT IDENTIFICATION MARK ON JACK: Ⓢ
- HALOGEN FREE PRODUCT IDENTIFICATION LABEL ON PACKAGING:
- FOR IR REFLOW PROCESS.
- DATE : YYMMDD
- PACKAGING : TAPE & REEL.



REV.	ECN NO OR DESCRIPTION	REVISED	DATE
D	ECN NO: T120151	Duke	2013.05.17
E	ECN NO: S131277	Ken	2014.04.08
F	ECN NO: S170846-E	peng	2017.10.17

Pin Number	Signal NAME
1	VBUS
2	D-
3	D+
4	GND
5	StdA_SSRX-
6	StdA_SSRX+
7	GND_DRAIN
8	StdA_SSTX-
9	StdA_SSTX+

NO	DESCRIPTION	QTY	MATERIAL	PLATING & COLOR
E	TERMINAL	5	COOPER ALLOY	2u"30LD OVER 30u"Pd/Ni PLATED ON MATING AREA,120u" MATTE TIN PLATED ON SOLDERING 80u"NICKEL UNDER PLATING OVERALL
D	TERMINAL	4	COOPER ALLOY	
C	SHELL	1	STAINLESS STEEL	NICKEL 60u"MIN
B	BASE	1	HIGH THERMOPLASTIC	BLUE (300C)
A	HOUSING	1	HIGH THERMOPLASTIC	BLUE (300C)

UNLESS OTHERWISE SPECIFIED TOLERANCES

Singatron Enterprise Co., Ltd.
信音企業股份有限公司

DECIMALS: X :±0.5
X.X :±0.4
X.XX :±0.3

TITLE: USB 3.0 REVERSE CONNECTOR
DWN: peng PART NO.2UB4055-000101F
CHKD: james SCALE 1:1 UNIT: mm
APVD: boye SIZE: A3 SHEET:1 OF 1 REV: F

CUSTOMER COPY