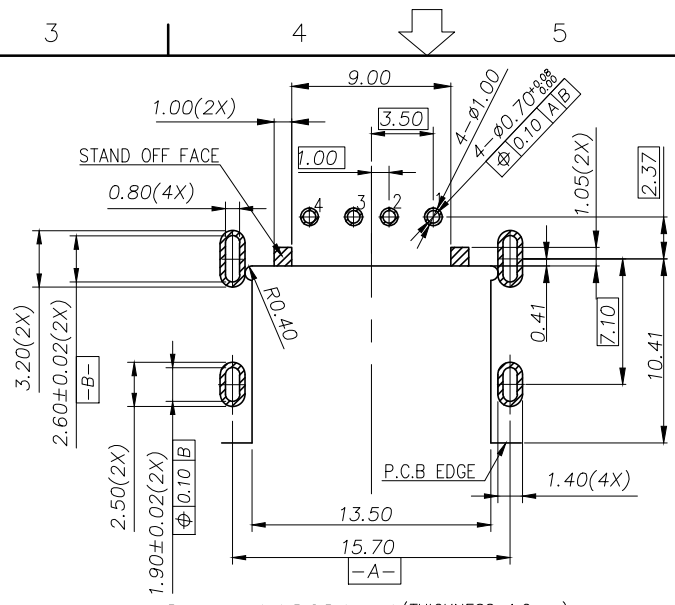
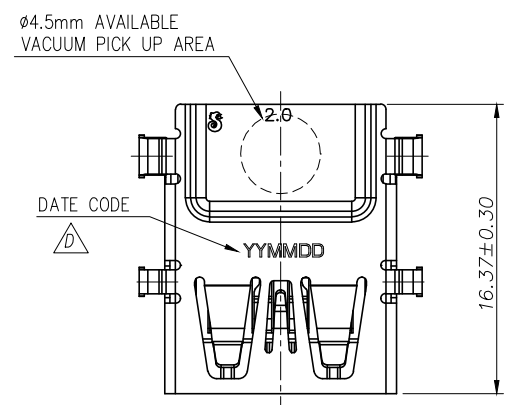
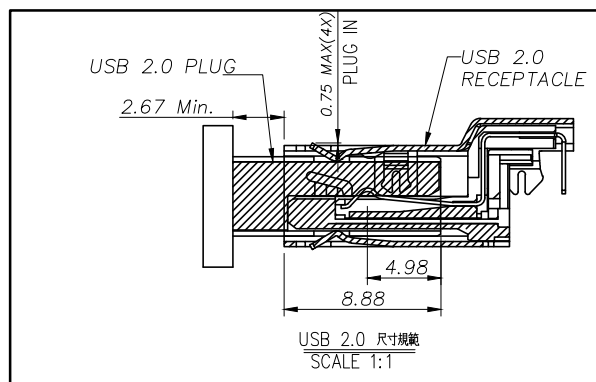
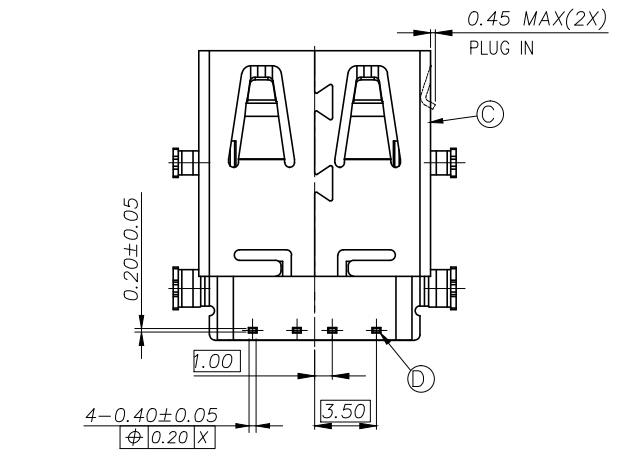
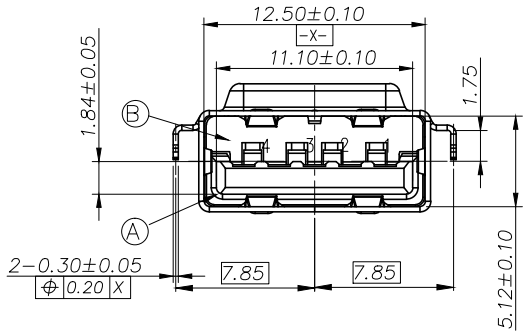
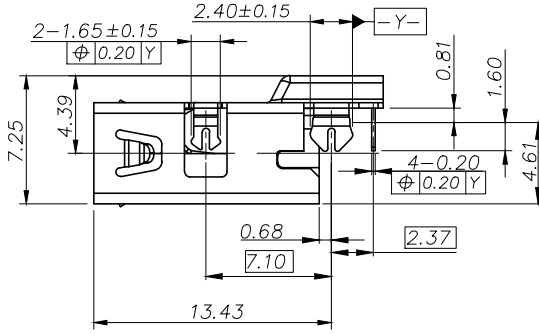


REV.	ECN NO OR DESCRIPTION	REVISED	DATE
C	ECN NO: S151258-C	PENG	2016.03.08
D	ECN NO: S161138-E	PENG	2017.01.17



- SPECIFICATIONS:
- ELECTRICAL CHARACTERISTICS:
    - CONTACT RESISTANCE: 30mΩ maximum when measured at 20mV maximum open circuit at 100mA
    - DIELECTRIC WITHSTANDING VOLTAGE: The dielectric must withstand 500V AC Max With 1 Minute
    - INSULATION RESISTANCE: 1000MΩ minimum
    - CURRENT RATING: 1.5A at 250V AC minimum when measured at an ambient temperature of 25°C
  - MECHANICAL CHARACTERISTICS:
    - INSERTION FORCE : 3.5 Kgf MAX
    - WITHDRAWAL FORCE : 1.0 Kgf MIN
  - TO CONFORM TO SINGATRON HAZARDOUS SUBSTANCE FREE SPEC.
  - HALOGEN FREE IDENTIFICATION MARK ON JACK: Ⓞ
  - HALOGEN FREE IDENTIFICATION LABEL ON PACKAGING:
  - FOR IR RE-FLOW PROCESS.
  - DATE : YYMMDD
  - PACKAGING : TAPE & REEL.

Recommended P.C.B Layout (THICKNESS=1.2mm)  
 (Component Side) TOLERANCE=±0.03 TOP VIEW



Pin Number	Signal NAME
1	VBUS
2	D-
3	D+
4	GND

NO	DESCRIPTION	QTY	MATERIAL	PLATING & COLOR
D	TERMINAL	4	C5210 T0.20	1µin Au PLATED ON MATING AREA, 120µin MATTE Sn PLATED ON SOLDERING 60µin NICKEL UNDER PLATING OVERALL
C	SHELL	1	SUS304 T0.30	NICKEL 60µin MIN
B	BASE	1	PA4T+30%GF (TiTX1)UL94V-0	BLACK
A	HOUSING	1	PA4T+30%GF (TiTX1)UL94V-0	BLACK

UNLESS OTHERWISE SPECIFIED TOLERANCES

Singatron Enterprise Co., Ltd.  
 信音企業股份有限公司

DECIMALS:	ANGLES:	TITLE	USB 2.0 REVERSE CONNECTOR	
X : ±0.4	X : ±2°	DWN	peng	<b>PART NO.2UB4055-100111F</b>
X.X : ±0.3	X.X : ±1°	CHKD	james	SCALE 1:1 UNIT: mm
X.XX : ±0.2		APVD	boye	SIZE: A3 SHEET: 1 OF 1 REV: D
X.XXX : ±0.1		<b>CUSTOMER COPY</b>		