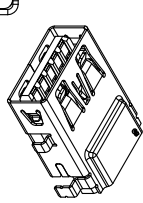
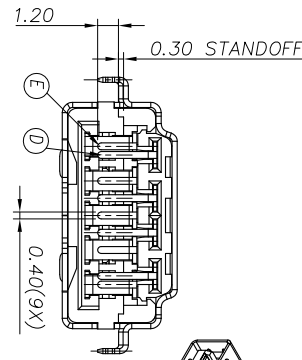
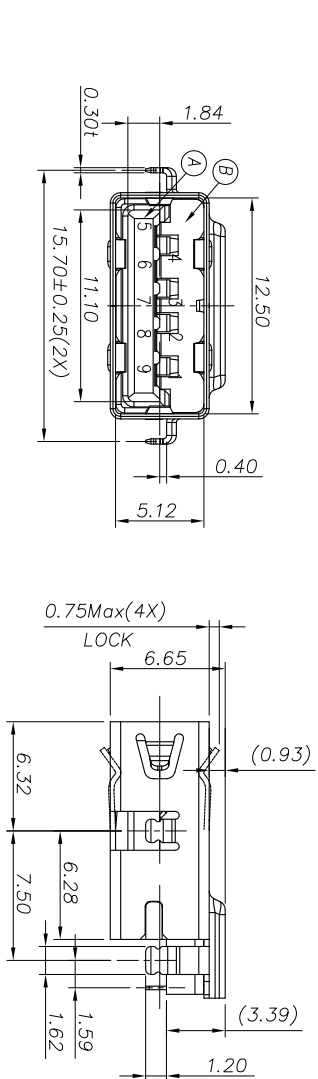
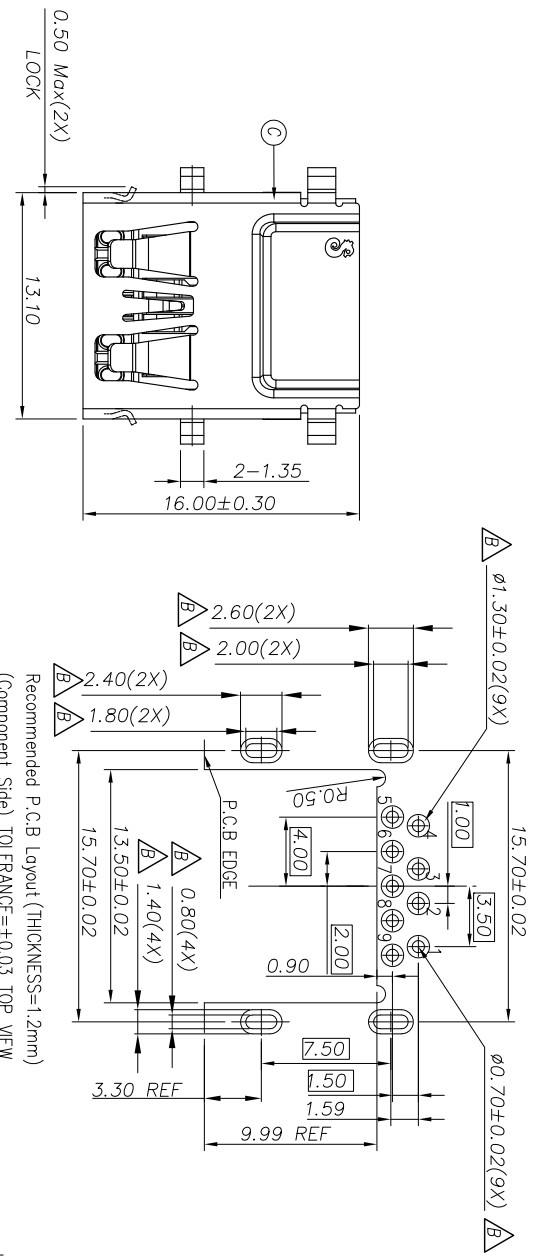


| REV | ECN NO OR DESCRIPTION | REVISED | DATE       |
|-----|-----------------------|---------|------------|
| A   | PRODUCT RELEASE       | Duke    | 2013.11.12 |
| B   | ECN NO: T140024       | Duke    | 2014.05.22 |

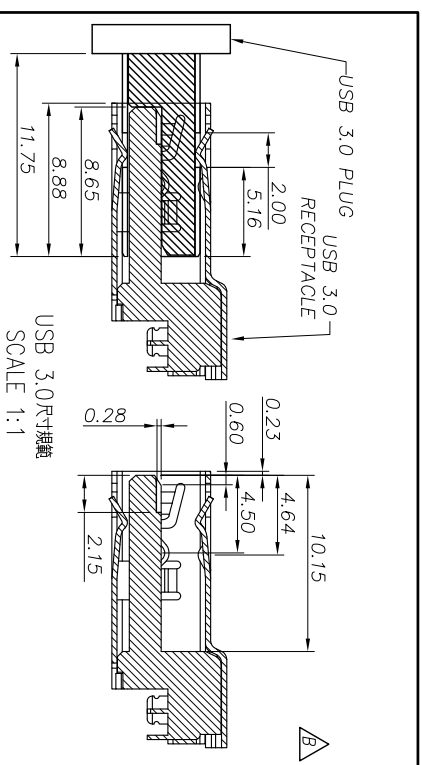
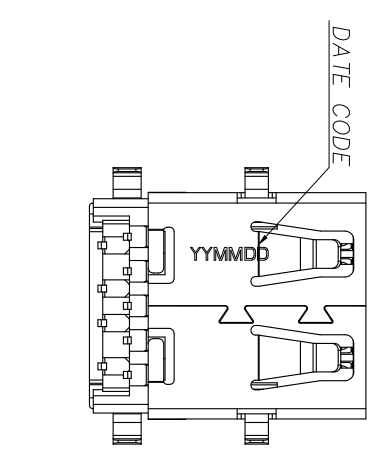
**SPECIFICATIONS:**

- 1. ELECTRICAL CHARACTERISTICS:**
- 1-1. CURRENT RATING: 1.8A (PIN1,4) ; OTHER CONTACTS 0.25A
  - 1-2. CONTACT RESISTANCE: 30mΩ MAX.
  - 1-3. DIELECTRIC WITHSTANDING VOLTAGE: 100V AC FOR 1 MINUTE
  - 1-4. INSULATION RESISTANCE: 100MΩ MIN
- 2. MECHANICAL CHARACTERISTICS:**
- 2-1. INSERTION FORCE : 1.02kgf MIN~2.25 kgf MAX  
AFTER 5K TEST : 0.8 kgf~2.25 kgf
  - 2-2. WITHDRAWAL FORCE : 1.02 kgf MIN (INITIAL)  
0.8 kgf~2.25 kgf (AFTER TEST)
  - 2-3. RETENTION FORCE : 2.7 kgf MAX.
- 3. DURABILITY: 5,000 CYCLES.**
- 4. TO CONFORM TO SINGATRON HAZARDOUS SUBSTANCE FREE SPEC.**
- 5. HALOGEN FREE IDENTIFICATION MARK ON JACK: Ⓢ**
- 6. HALOGEN FREE IDENTIFICATION LABEL ON PACKAGING:**
- 7. FOR IR RE-FLOW PROCESS.**
- 8. DATE : YYMMDD**
- 9. PACKAGING : TAPE & REEL.**

Recommended P.C.B Layout (THICKNESS=1.2mm)  
(Component Side) TOLERANCE=±0.03 TOP VIEW



| Pin Number | Signal ASSIGNMENT |
|------------|-------------------|
| PIN 1      | VBUS              |
| PIN 2      | D-                |
| PIN 3      | D+                |
| PIN 4      | GND               |
| PIN 5      | SD4_SSRX-         |
| PIN 6      | SD4_SSRX+         |
| PIN 7      | GND_DRAIN         |
| PIN 8      | SD4_SSTX-         |
| PIN 9      | SD4_SSTX+         |



| NO | DESCRIPTION | QTY | MATERIAL           | PLATING & COLOR   |
|----|-------------|-----|--------------------|-------------------|
| E  | TERMINAL    | 5   | COOPER ALLOY       |                   |
| D  | TERMINAL    | 4   | COOPER ALLOY       |                   |
| C  | SHELL       | 1   | STAINLESS STEEL    | BLACK NICKEL 10U" |
| B  | BASE        | 1   | HIGH THERMOPLASTIC | BLACK             |
| A  | HOUSING     | 1   | HIGH THERMOPLASTIC | BLACK             |

| UNLESS OTHERWISE SPECIFIED TOLERANCES |                           | SINGATRON ENTERPRISE CO., LTD.                   |  |
|---------------------------------------|---------------------------|--------------------------------------------------|--|
| DECIMALS:                             | ANGLES:                   | <br>Singatron Enterprise Co., Ltd.<br>信亨企業股份有限公司 |  |
| X : ±0.5                              | X : ±2°                   |                                                  |  |
| X.X : ±0.3                            | X.X : ±1°                 |                                                  |  |
| X.XX : ±0.2                           |                           |                                                  |  |
| TITLE                                 | USB 3.0 REVERSE CONNECTOR | CUSTOMER COPY                                    |  |
| DWN                                   | Duke                      |                                                  |  |
| CHKD                                  | SCALE 1:1                 |                                                  |  |
| APVD                                  | ACHING 2014.5.22          |                                                  |  |