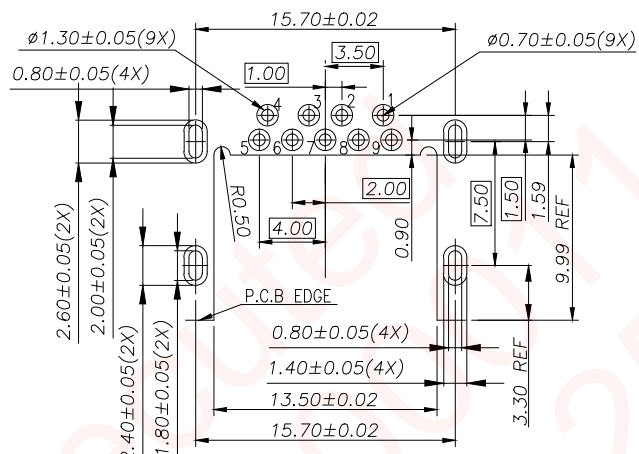


REV.	ECN NO OR DESCRIPTION	REVISED	DATE
A	PDR NO: T150608-2A	TOMMY	2015.09.22

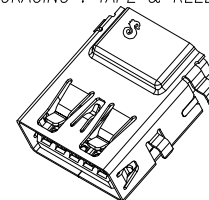


SPECIFICATIONS:

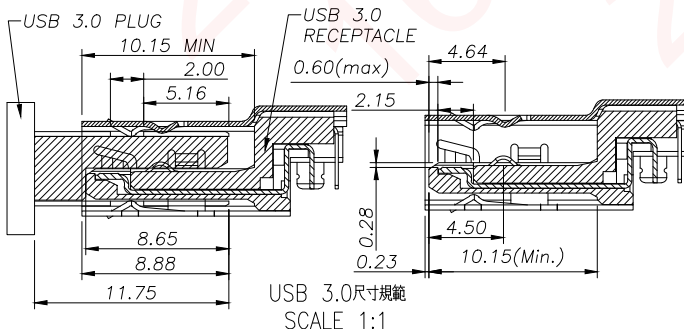
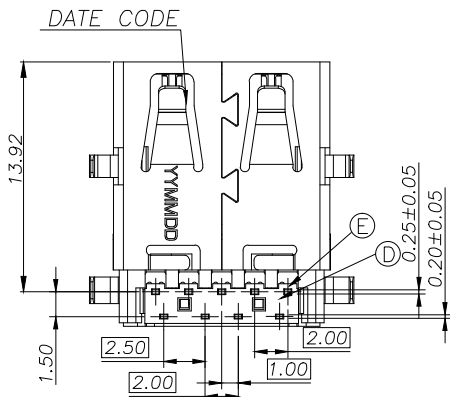
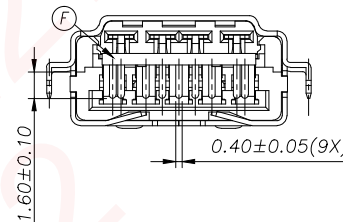
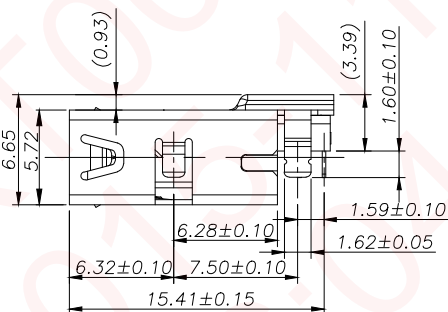
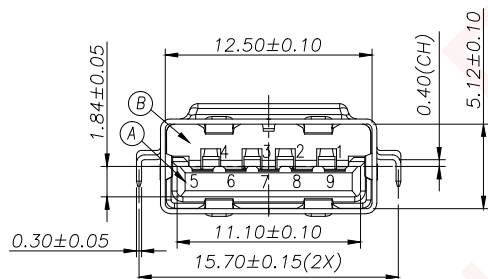
- ELECTRICAL CHARACTERISTICS:
 - CURRENT RATING: 1.8A (PIN1,4) ; OTHER CONTACTS 0.25A
 - CONTACT RESISTANCE: 30mΩ MAX.
 - DIELECTRIC WITHSTANDING VOLTAGE: 100V AC FOR 1 MINUTE
 - INSULATION RESISTANCE: 100MΩ MIN
- MECHANICAL CHARACTERISTICS:
 - INSERTION FORCE : 2.5 Kgf MAX
 - WITHDRAWAL FORCE : 1.0 Kgf MIN(INITIAL),0.8 Kgf MIN(AFTER TEST)
- DURABILITY: 5,000 CYCLES.
- TO CONFORM TO SINGATRON HAZARDOUS SUBSTANCE FREE SPEC.
- HALOGEN PRODUCT IDENTIFICATION MARK ON JACK: ⊙
- HALOGEN PRODUCT IDENTIFICATION LABEL ON PACKAGING:
- FOR IR - REFLOW LEAD-FREE PROCESS.
- DATE : YYMMDD
- PACKAGING : TAPE & REEL.



Recommended P.C.B Layout (THK:1.2mm)
(Component Side) TOLERANCE=±0.03 TOP VIEW



Pin Number	Signal ASSIGNMENT
PIN 1	VBUS
PIN 2	D-
PIN 3	D+
PIN 4	GND
PIN 5	StdA_SSRX-
PIN 6	StdA_SSRX+
PIN 7	GND_DRAIN
PIN 8	StdA_SSTX-
PIN 9	StdA_SSTX+



NO	DESCRIPTION	QTY	MATERIAL	PLATING & COLOR
F	BASE COVER	1	PA-9T+45% GF(GP2450NH)	94-V0 BLUE(300C)
E	TERMINAL	5	C2680-H 0.25T	2u" GOLD OVER 30u" Pd/Ni PLATED ON MATING AREA, 120u" MATTE TIN PLATED ON SOLDERING AREA, NICKEL UNDER PLATING OVERALL
D	TERMINAL	4	C5210-EH 0.20T	
C	SHELL	1	SUS 304-1/2H 0.3T	NICKEL 60u" MIN
B	BASE	1	PA-9T+45% GF(GP2450NH)	94-V0 BLUE(300C)
A	HOUSING	1	PA-9T+45% GF(GP2450NH)	94-V0 BLUE(300C)

UNLESS OTHERWISE SPECIFIED TOLERANCES

DECIMALS: ANGLES:
X :±0.5 X :±2°
X.X :±0.4 X.X :±1°
X.XX :±0.3

Singatron Enterprise Co., Ltd.
信音企業股份有限公司

TITLE	USB 3.0 REVERSE CONNECTOR		
DWN	TOMMY	PART NO. 2UB4056-600101F	
CHKD		SCALE 1:1	UNIT: mm
APVD		SIZE: A3	SHEET: 1 OF 1

CUSTOMER COPY