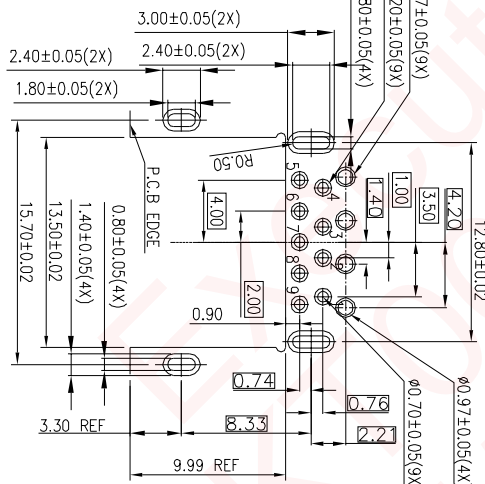
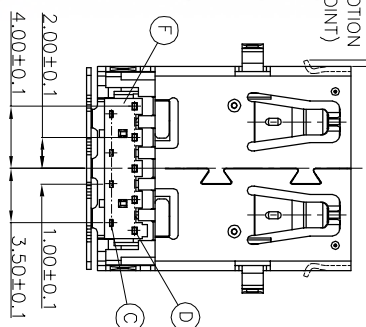


- SPECIFICATIONS:**
- ELECTRICAL CHARACTERISTICS:**
 - CURRENT RATING: 1.8A (PIN1,4) ; OTHER CONTACTS 0.25A
 - CONTACT RESISTANCE: 30mΩ MAX.
 - DIELECTRIC WITHSTANDING VOLTAGE: 100V AC FOR 1 MINUTE
 - INSULATION RESISTANCE: 100MΩ MIN .
 - MECHANICAL CHARACTERISTICS:**
 - INSERTION FORCE : 2.5 Kgf MAX.
 - WITHDRAWAL FORCE : 3.0Kgf MAX.
- TEST AFTER : 0.7Kgf.
DURABILITY: 10,000 CYCLES.
- TO CONFORM TO SINGATRON HAZARDOUS SUBSTANCE FREE SPEC.
 - HALOGEN PRODUCT IDENTIFICATION MARK ON JACK:
 - HALOGEN PRODUCT IDENTIFICATION LABEL ON PACKAGING:
 - FOR WAVE SOLDERING LEAD-FREE PROCESS.
 - DATE : YYMMDD-
 - PACKAGING : TAPE & REEL.

REMARK	Pin Number	Signal ASSIGNMENT
USB2.0 CONTACT PIN	PIN 1	VBUS
	PIN 2	D-
USB3.0 CONTACT PIN	PIN 3	D+
	PIN 4	GND
USB3.0 CONTACT PIN	PIN 5	SiG4_SSRX-
	PIN 6	SiG4_SSRX+
	PIN 7	GND_DRAIN
	PIN 8	SiG4_SSTX-
USB3.0 CONTACT PIN	PIN 9	SiG4_SSTX+



Recommended P.C.B Layout(Thk: 1.2mm)
TOLERANCE=±0.05(TOP VIEW)

NO	DESCRIPTION	QTY	MATERIAL	PLATING & COLOR
G	HOUSING COVER	1	BLACK	
E	SHELL	1	STAINLESS STEEL,T=0.30	NICKEL 60u"MIN
D	5 PIN TERMINAL	5	BARSS,T=0.25	
C	4 PIN TERMINAL	4	COPPER ALLOY, T=0.20	
B	BASE	1	HIGH TEMP THERMOPLASTIC	BLACK
A	BODY	1	HIGH TEMP THERMOPLASTIC	BLACK

UNLESS OTHERWISE SPECIFIED TOLERANCES

DECIMALS: ANGLES:

X : ±0.5 X : ±2
X.X : ±0.3 X.X : ±1°
X.XX : ±0.2

Singatron Enterprise Co., Ltd.
信管企業股份有限公司

USB 3.0 CONNECTOR

DWN Edt.Zhou Part NO:2UB4066-700101F
CHKD James SCALE:4:1 UNIT: mm
APVD Boye SIZE: A3 SHEET: 1 OF 1 REV:4

CUSTOMER COPY

REV	ECN NO OR DESCRIPTION	REVISED	DATE
A	PDR NO:S150720-4A	Edt.Zhou	2015.11.10