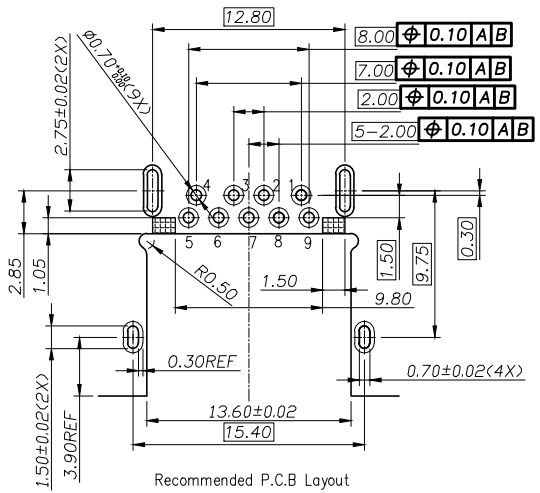
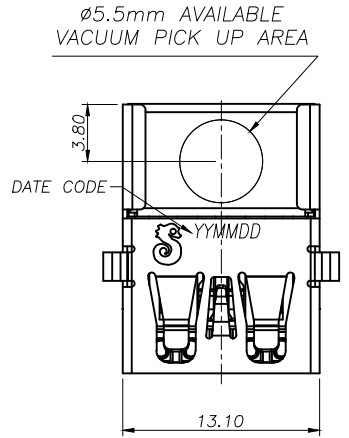
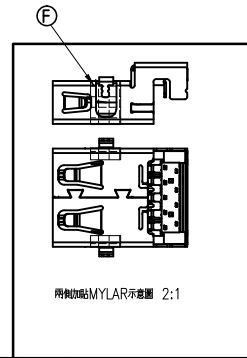
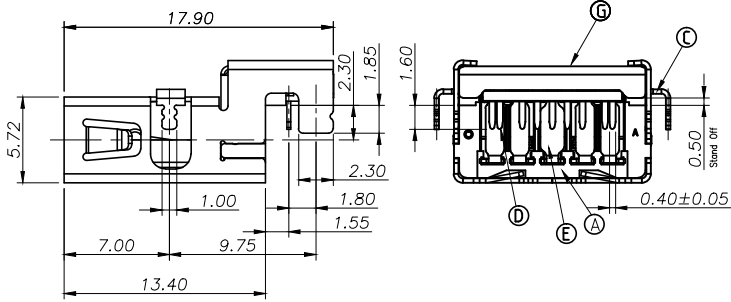
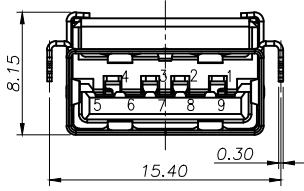


1 2 3 4 5 6 7 8

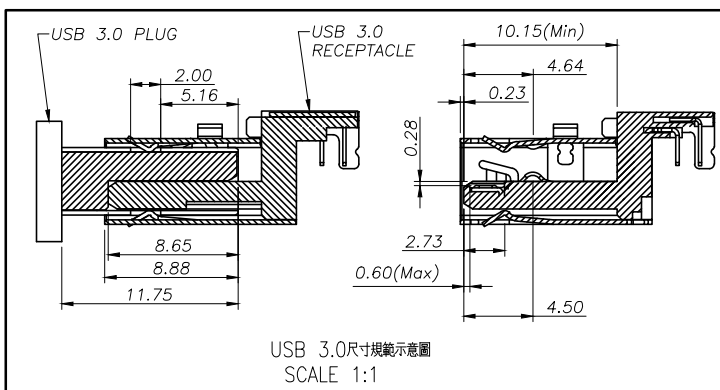
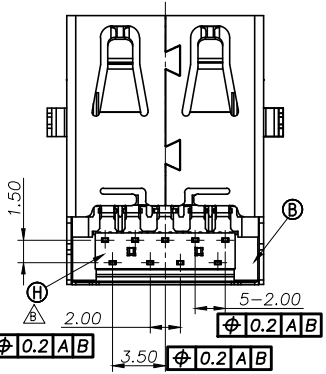
REV.	ECN NO OR DESCRIPTION	REVISED	DATE
A	PDR RELEASE	Acheng	2012.11.05
B	ECN NO:S150526-C	PENG	2015.09.10
C	ECN NO:S171042-E	PENG	2018.03.21



- SPECIFICATIONS:
- ELECTRICAL CHARACTERISTICS:
    - 1-1. CURRENT RATING: 1.8A (PIN1,4) ; OTHER CONTACTS 0.25A
    - 1-2. CONTACT RESISTANCE: 30mΩ MAX.
    - 1-3. DIELECTRIC WITHSTANDING VOLTAGE: 100V AC FOR 1 MINUTE
    - 1-4. INSULATION RESISTANCE: 100MΩ MIN
  - MECHANICAL CHARACTERISTICS:
    - 2-1. INSERTION FORCE : 3.5 Kgf MAX
    - 2-2. WITHDRAWAL FORCE : 1.0 Kgf MIN(INITIAL),0.8 Kgf MIN(AFTER TEST)
  - DURABILITY: 5,000 CYCLES.
  - TO CONFORM TO SINGATRON HAZARDOUS SUBSTANCE FREE SPEC.
  - HALOGEN FREE PRODUCT IDENTIFICATION MARK ON JACK: Ⓢ
  - HALOGEN FREE PRODUCT IDENTIFICATION LABEL ON PACKAGING:
  - FOR IR REFLOW PROCESS.
  - DATE : YYMMDD
  - PACKAGING : TAPE & REEL.



Pin Number	Signal ASSIGNMENT
PIN 1	VBUS
PIN 2	D-
PIN 3	D+
PIN 4	GND
PIN 5	StdA_SSRX-
PIN 6	StdA_SSRX+
PIN 7	GND_DRAIN
PIN 8	StdA_SSTX-
PIN 9	StdA_SSTX+



USB 3.0尺寸規範示意圖  
SCALE 1:1

NO	DESCRIPTION	QTY	MATERIAL	PLATING & COLOR
H	HOUSING COVER	1	HIGH THERMOPLASTIC 94-V0	BLACK
G	COVER	1	SPCC	
F	MYLAR	2	5mm*4mm	
E	TERMINAL	5	COOPER ALLOY	Au2u*+Pd/Ni30u* ON CONTACT AREA, 100u* Su PLATED ON SOLDERING 80u*NICKEL UNDER PLATING OVERALL
D	TERMINAL	4	COOPER ALLOY	
C	SHELL	1	STAINLESS STEEL	NICKEL 60u*MIN
B	BASE	1	HIGH THERMOPLASTIC 94-V0	BLACK
A	HOUSING	1	HIGH THERMOPLASTIC 94-V0	BLACK

UNLESS OTHERWISE SPECIFIED TOLERANCES

DECIMALS: ANGLES:

X :±0.5 X :±2°

X.X :±0.3 X.X :±1°

X.XX :±0.2

Singatron Enterprise Co., Ltd.  
信音企業股份有限公司

TITLE: USB 3.0 REVERSE CONNECTOR

DWN: peng PART NO.2UB4057-000101F

CHKD: James SCALE 1:1 UNIT: mm

APVD: Boye SIZE: A3 SHEET:1 OF 1 REV: C

CUSTOMER COPY

1 2 3 4 5 6 7 8