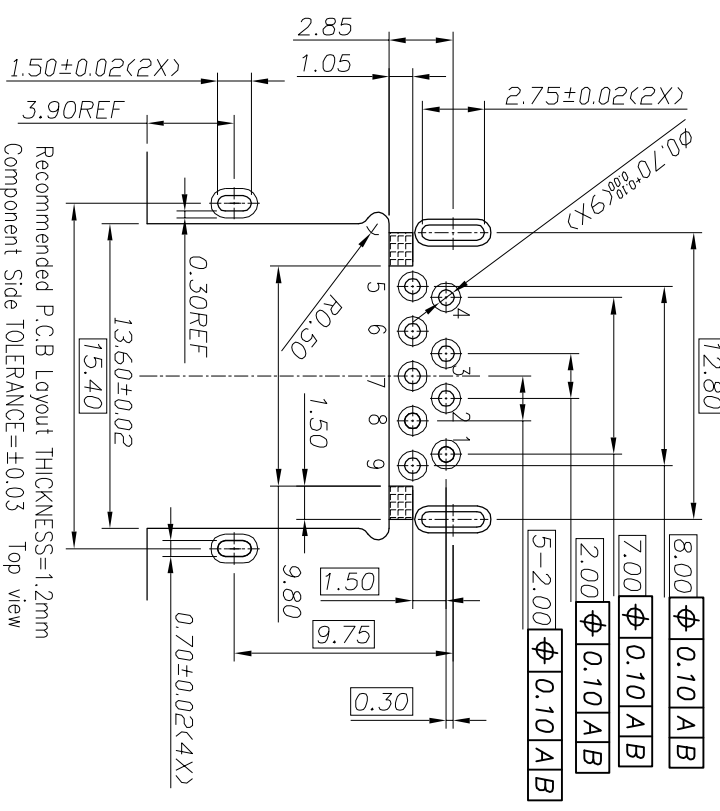
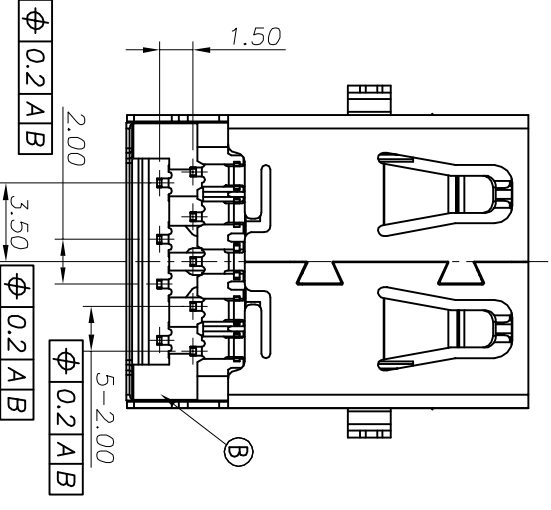
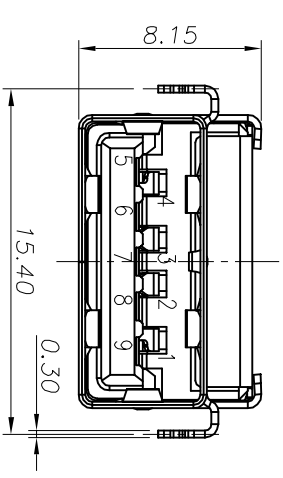
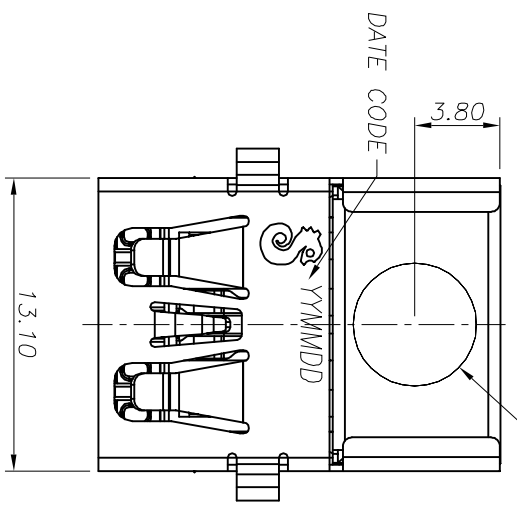
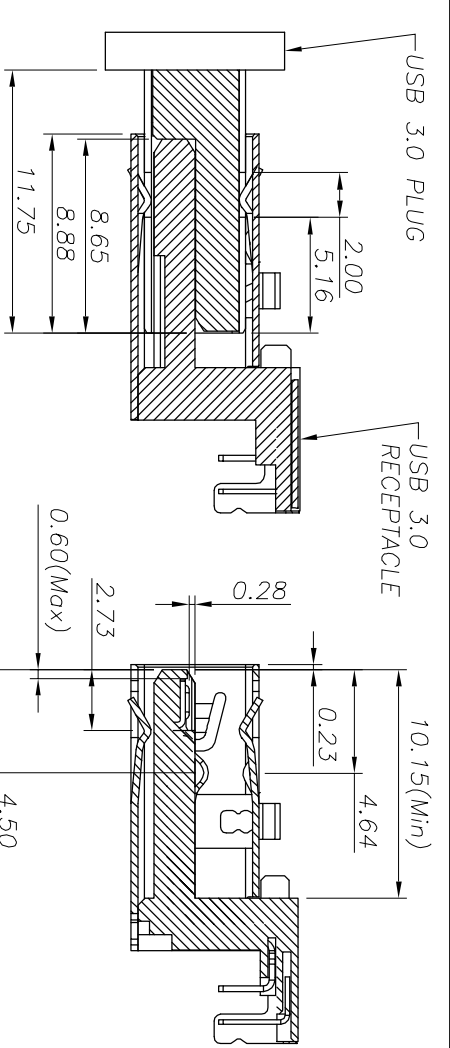
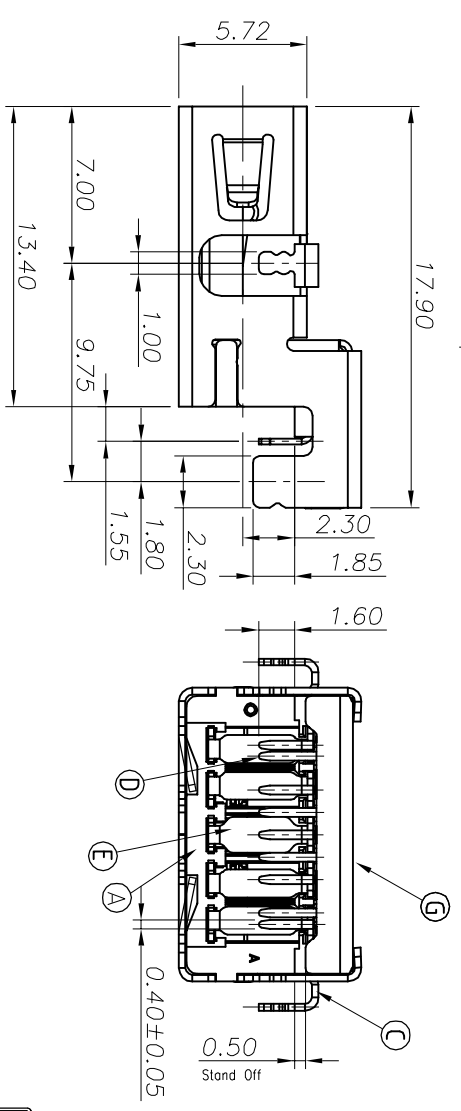


ø5.5mm AVAILABLE
VACUUM PICK UP AREA



Recommended P.C.B Layout Thickness=1.2mm
Component Side TOLERANCE=±0.03 Top view



USB 3.0尺寸規範示意圖
SCALE 1:1

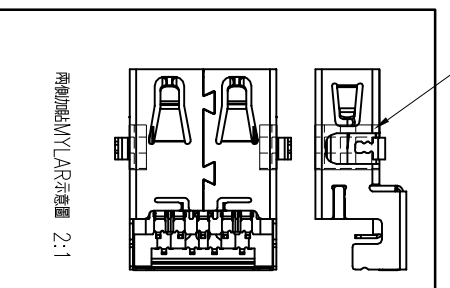
REV.	ECN NO OR DESCRIPTION	REVISED	DATE
A	PDR RELEASE	Acheng	2013.04.30
B	ECN NO: T140001	Duke	2014.03.07
C	ECN NO: S171042-E	PENG	2018.03.21

SPECIFICATIONS:

- ELECTRICAL CHARACTERISTICS:
 - CURRENT RATING: 1.8A (PIN1,4) ; OTHER CONTACTS 0.25A
 - CONTACT RESISTANCE: 30mΩ MAX.
 - DIELECTRIC WITHSTANDING VOLTAGE: 100V AC FOR 1 MINUTE
 - INSULATION RESISTANCE: 100MΩ MIN
- MECHANICAL CHARACTERISTICS:
 - INSERTION FORCE : 3.5 Kgf MAX
 - WITHDRAWAL FORCE : 1.0 Kgf MIN(INITIAL),1.0 Kgf MIN(AFTER TEST)
- DURABILITY: 5,000 CYCLES.
- TO CONFORM TO SINGATRON HAZARDOUS SUBSTANCE FREE SPEC.
- HALOGEN FREE IDENTIFICATION MARK ON JACK: ©
- HALOGEN FREE IDENTIFICATION LABEL ON PACKAGING:
- FOR IR REFLOW PROCESS.
- DATE : YYMMDD
- PACKAGING : TAPE & REEL.



Pin Number	Signal ASSIGNMENT
PIN 1	VBUS
PIN 2	D-
PIN 3	D+
PIN 4	GND
PIN 5	SIDA_SSRX-
PIN 6	SIDA_SSRX+
PIN 7	GND_DRAIN
PIN 8	SIDA_SSTX-
PIN 9	SIDA_SSTX+



NO	DESCRIPTION	MATERIAL	PLATING & COLOR
G	COVER	SPCC	
F	MYLAR	5mm*4mm	
E	TERMINAL	COOPER ALLOY	Au2u ⁺ +Pd/Ni30u ⁺ ON CONTACT AREA, 120u ⁺ MATTE SN PLATED ON SOLDERING 80u ⁺ NICKEL UNDER PLATING OVERALL
D	TERMINAL	COOPER ALLOY	
C	SHELL	STAINLESS STEEL	NICKEL 60u ⁺ MIN
B	BASE	HIGH THERMOPLASTIC 94-V0	BLUE-300C
A	HOUSING	HIGH THERMOPLASTIC 94-V0	BLUE-300C
NO	DESCRIPTION	MATERIAL	PLATING & COLOR

DECIMALS:	ANGLES:	TITLE	USB 3.0 REVERSE CONNECTOR
X : ±0.5	X : ±2°	DWN	PENG
X.X : ±0.4	X.X : ±1°	CHKD	
X.XX : ±0.3		APVD	ACHENG

Singatron Enterprise Co., Ltd.
信音企業股份有限公司

PART NO.2UB4057-000301F
SCALE 1:1
UNIT: mm
SHEET: 1 OF 1
REV: C

CUSTOMER COPY