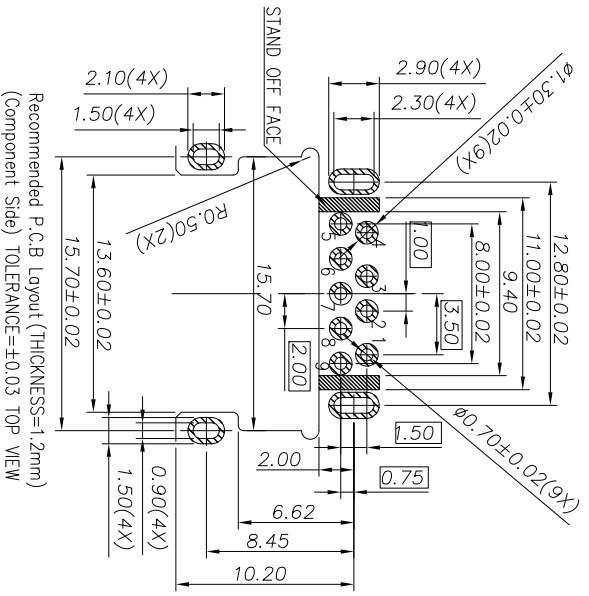
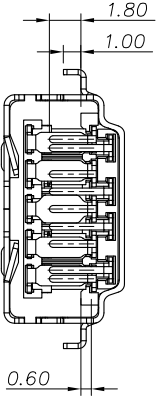
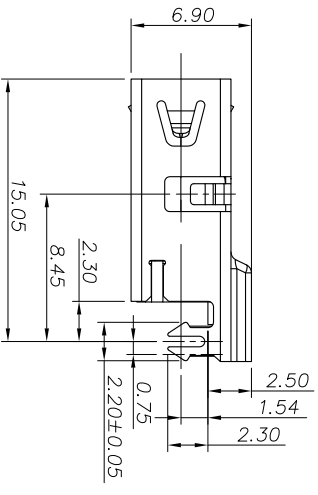
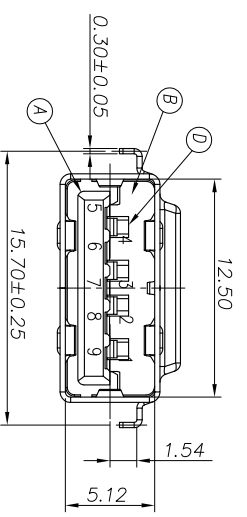
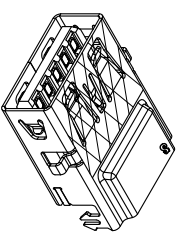


REV. ECN NO. OR DESCRIPTION	REVISED	DATE
B ECN NO: T120151	Duke	2013.05.17

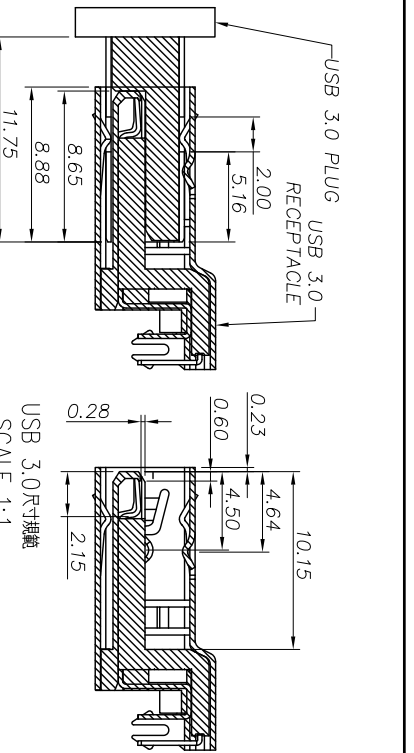
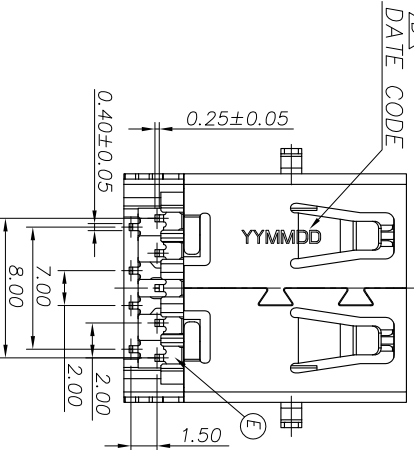
- SPECIFICATIONS:
- ELECTRICAL CHARACTERISTICS:
    - CURRENT RATING: 1.8A (PIN1, 4) ; OTHER CONTACTS 0.25A
    - CONTACT RESISTANCE: 30mΩ MAX
    - DIELECTRIC WITHSTANDING VOLTAGE: 100V AC FOR 1 MINUTE
    - INSULATION RESISTANCE: 100M Ω MIN
  - MECHANICAL CHARACTERISTICS:
    - INSERTION FORCE : 3.5 Kgf MAX
    - WITHDRAWAL FORCE : 1.0 kgf(INITIAL),0.8kgf(AFTER TEST)
    - DURABILITY: 5,000 CYCLES.
    - TO CONFORM TO SINGATRON HAZARDOUS SUBSTANCE FREE SPEC.
    - HALOGEN PRODUCT IDENTIFICATION MARK ON JACK
    - HALOGEN PRODUCT IDENTIFICATION LABEL ON PACKAGING
    - FOR IR-REFLOW LEAD-FREE PROCESS.
    - DATE : YMMDD
    - PACKAGING : TAPE & REEL.



Recommended P.C.B Layout (THICKNESS=1.2mm)  
(Component Side) TOLERANCE=±0.03 TOP VIEW



Pin Number	Signal ASSIGNMENT
PIN 1	VBUS
PIN 2	D-
PIN 3	D+
PIN 4	GND
PIN 5	SDA_SSRX-
PIN 6	SDA_SSRX+
PIN 7	GND_DRAIN
PIN 8	SDA_SSTX-
PIN 9	SDA_SSTX+



USB 3.0 尺寸規範  
SCALE 1:1

F	MYLAR	1	KAPTON 11.0x8.0	YELLOW
E	TERMINAL	5	COOPER ALLOY	24" Au OVER 30μT/Pd/Ni PLATED ON MATING AREA, 120μ" Sn PLATED ON SOLDERING
D	TERMINAL	4	COOPER ALLOY	80μ" NICKEL UNDER PLATING OVERALL
C	SHELL	1	STAINLESS STEEL	NICKEL 60μ" MIN
B	BASE	1	HIGH THERMOPLASTIC	BLUE (300C)
A	HOUSING	1	HIGH THERMOPLASTIC	BLUE (300C)
NO	DESCRIPTION	QTY	MATERIAL	PLATING & COLOR

UNLESS OTHERWISE SPECIFIED TOLERANCES

DECIMALS: ANGLES:

X : ±0.5 X : ±2°  
X.X : ±0.4 X.X : ±1°  
X.XX : ±0.3

Singaton Enterprise Co., Ltd.  
信晉企業股份有限公司

TITLE: USB 3.0 REVERSE CONNECTOR

DWG NO: PART NO. 2UB4060-000101F  
SCALE 1:1 UNIT: mm  
APVD: ACHENG 2013.5.24 SIZE: A3 SHEET: 1 OF 1 REV: B

CUSTOMER COPY