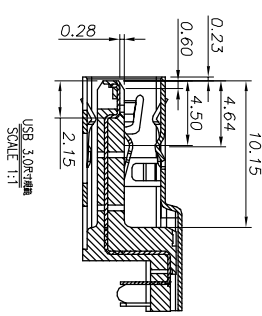
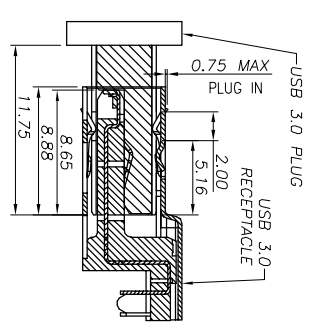
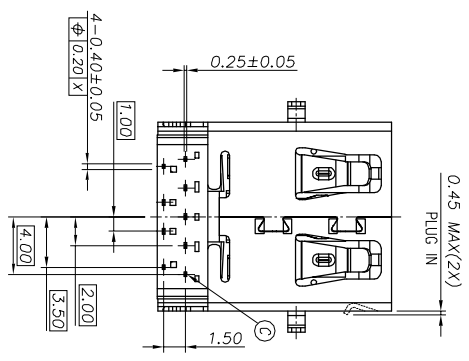
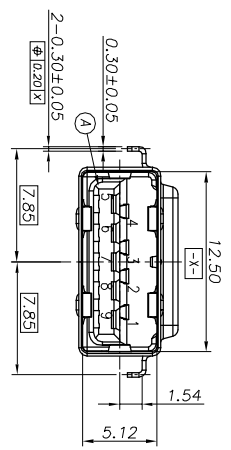
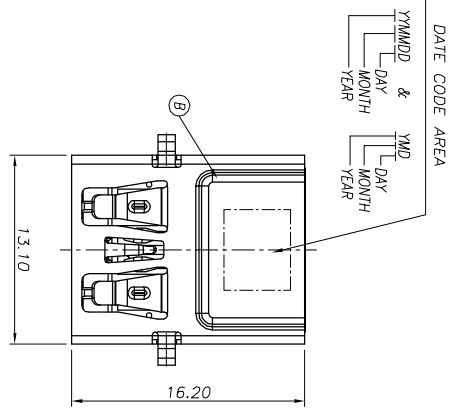
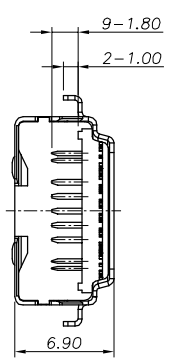
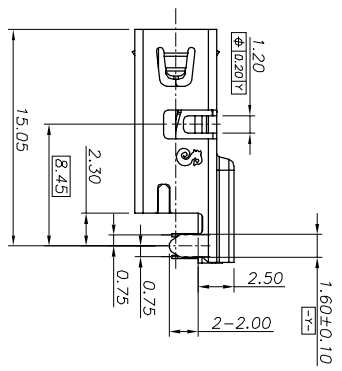
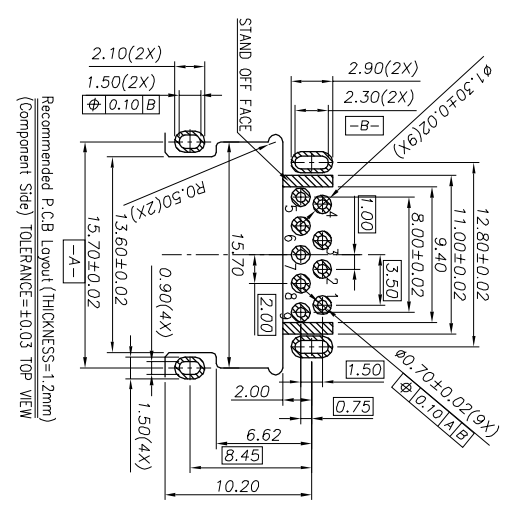


REV.	ECN NO. OR DESCRIPTION	REVISED	DATE
D	ECN NO: T130103	IV-C	2013.11.20
E	ECN NO: S161120-E	Peng	2017.01.07
F	ECN NO: S171149-C	Peng	2017.12.25
G	ECN NO: S180948-Q	Mystic	2019.05.31

- SPECIFICATIONS:**
- ELECTRICAL CHARACTERISTICS:
 - CURRENT RATING: 1.8A (PIN1,4) ; OTHER CONTACTS 0.25A
 - CONTACT RESISTANCE: 30mΩ MAX
 - CONTACT WITHSTANDING VOLTAGE: 100V AC FOR 1 MINUTE
 - INSULATION RESISTANCE: 100MΩ MIN
 - MECHANICAL CHARACTERISTICS:
 - INSERTION FORCE : 3.5 Kgf MAX
 - WITHDRAWAL FORCE : 1.0 Kgf (INITIAL), 0.8Kgf(AFTER TEST)
 - DURABILITY: 5,000 CYCLES
 - TO CONFORM TO SINGATRON HAZARDOUS SUBSTANCE FREE SPEC.
 - HALOGEN FREE IDENTIFICATION MARK ON JACK:
 - HALOGEN FREE IDENTIFICATION LABEL ON PACKAGING:
 - FOR IR-REFLOW LEAD-FREE PROCESS
 - IT MEETS REQUIREMENTS ABOUT DATE FORM EITHER "YMMDD" OR "YMD".
 - PACKAGING : TAPE & REEL.



Pin Number	Signal ASSIGNMENT
PIN 1	VBUS
PIN 2	D-
PIN 3	D+
PIN 4	GND
PIN 5	SDA_SSRX-
PIN 6	SDA_SSRX+
PIN 7	GND_DRAIN
PIN 8	SDA_SSTX-
PIN 9	SDA_SSTX+

C	TERMINAL	9	COPPER ALLOY
B	SHELL	1	STAINLESS STEEL
A	HOUSING	1	HIGH THERMOPLASTIC
NO	DESCRIPTION		MATERIAL
UNLESS OTHERWISE SPECIFIED TOLERANCES			
DECIMALS:			
X	:±0.5	X	:±2°
X.X	:±0.4	X.X	:±1°
X.XX	:±0.3		
TITLE		USB 3.0 REVERSE CONNECTOR	
DWG		Mystic PART NO. 2UB4060-000201F	
CHKD		Jumes SCALE 1:1 UNIT: mm	
APVD		Boye SIZE: A3 SHEET: 1 OF 1 REV: G	

Singatron Enterprise Co., Ltd.
信言企業股份有限公司

CUSTOMER COPY