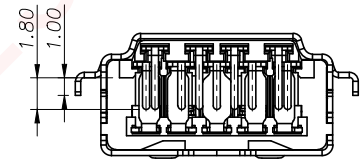
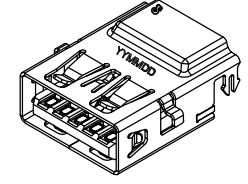
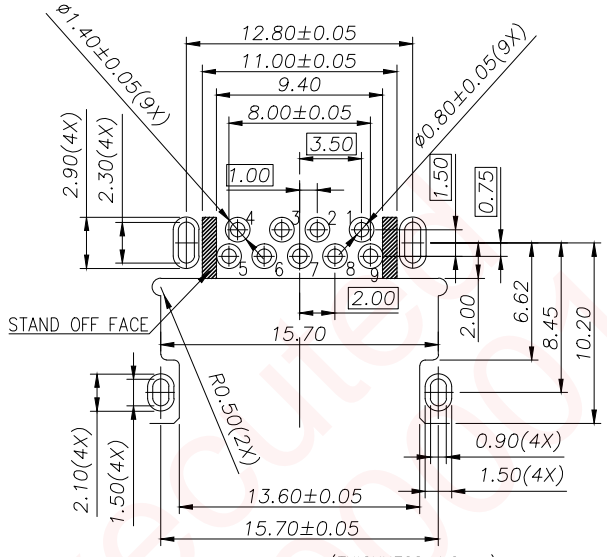


REV.	ECN NO OR DESCRIPTION	REVISED	DATE
D	ECN NO: T130103	IVY-C	2013.11.20
E	ECN NO:S150710-C	peng	2015.07.29
F	ECN NO:S160927-E	peng	2016.10.31

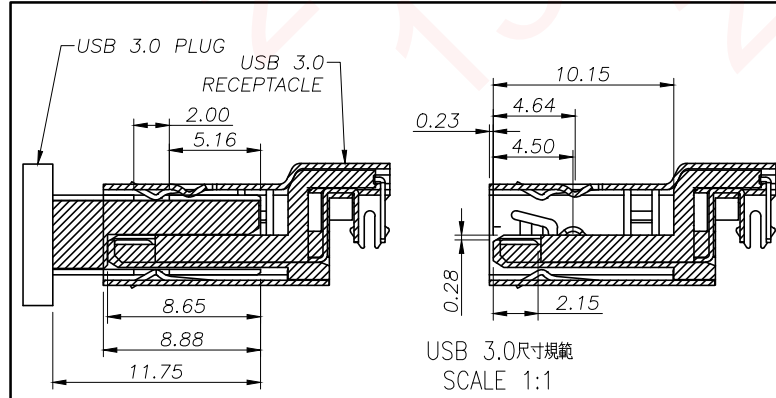
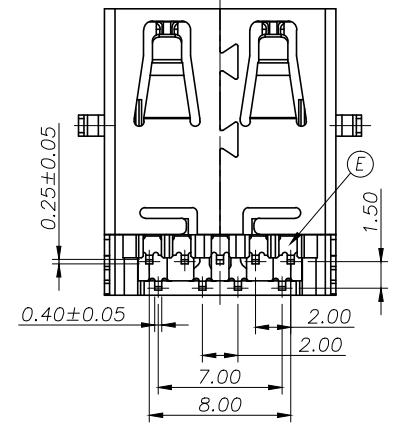
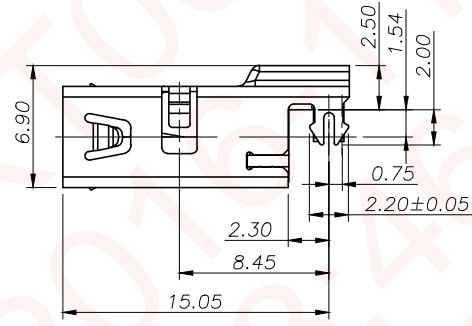
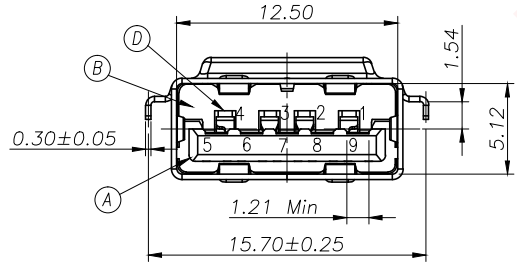
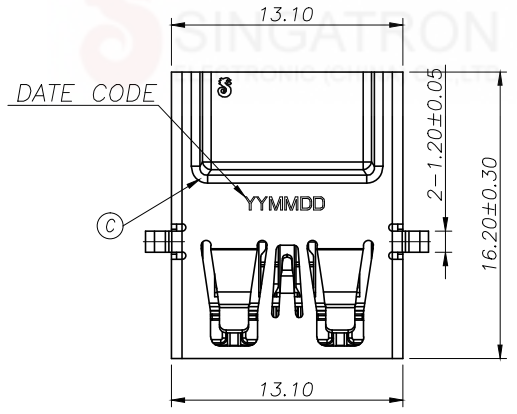
- SPECIFICATIONS:
- ELECTRICAL CHARACTERISTICS:
 - CURRENT RATING: 1.8A (PIN1,4) ; OTHER CONTACTS 0.25A
 - CONTACT RESISTANCE: 30mΩ MAX.
 - DIELECTRIC WITHSTANDING VOLTAGE: 100V AC FOR 1 MINUTE
 - INSULATION RESISTANCE: 100MΩ MIN
 - MECHANICAL CHARACTERISTICS:
 - INSERTION FORCE : 3.5 Kgf MAX
 - WITHDRAWAL FORCE : 1.0 Kgf(INITIAL),0.8Kgf(AFTER TEST)
 - DURABILITY: 5,000 CYCLES.
 - TO CONFORM TO SINGATRON HAZARDOUS SUBSTANCE FREE SPEC.
 - HALOGEN FREE IDENTIFICATION MARK ON JACK:
 - HALOGEN FREE IDENTIFICATION LABEL ON PACKAGING:
 - FOR IR-REFLOW LEAD-FREE PROCESS.
 - DATE : YYMMDD
 - PACKAGING : TAPE & REEL.



Pin Number	Signal ASSIGNMENT
PIN 1	VBUS
PIN 2	D-
PIN 3	D+
PIN 4	GND
PIN 5	StdA_SSRX-
PIN 6	StdA_SSRX+
PIN 7	GND_DRAIN
PIN 8	StdA_SSTX-
PIN 9	StdA_SSTX+



Recommended P.C.B Layout (THICKNESS=1.2mm)
(Component Side) TOLERANCE=±0.03 TOP VIEW



NO	DESCRIPTION	QTY	MATERIAL	PLATING & COLOR
E	TERMINAL	5	COOPER ALLOY	2u"Au OVER 30u"Pd/Ni PLATED ON MATING AREA, 120u" Sn PLATED ON SOLDERING, 80u"NICHEL UNDER PLATING OVERALL.
D	TERMINAL	4	COOPER ALLOY	
C	SHELL	1	STAINLESS STEEL	BLACK Ni60u"Min
B	BASE	1	PA-9T+45%GF UL94-V0	BLACK
A	HOUSING	1	PA-9T+45%GF UL94-V0	BLACK
UNLESS OTHERWISE SPECIFIED TOLERANCES				
DECIMALS: ANGLES:				
X	:±0.5	X	:±2°	
X.X	:±0.4	X.X	:±1°	
X.XX	:±0.3			
TITLE			USB 3.0 REVERSE CONNECTOR	
DWN	peng	PART NO.2UB4060-000301F		
CHKD	james	SCALE 1:1	UNIT: mm	
APVD	boye	SIZE: A3	SHEET:1 OF 1	REV: F
CUSTOMER COPY				