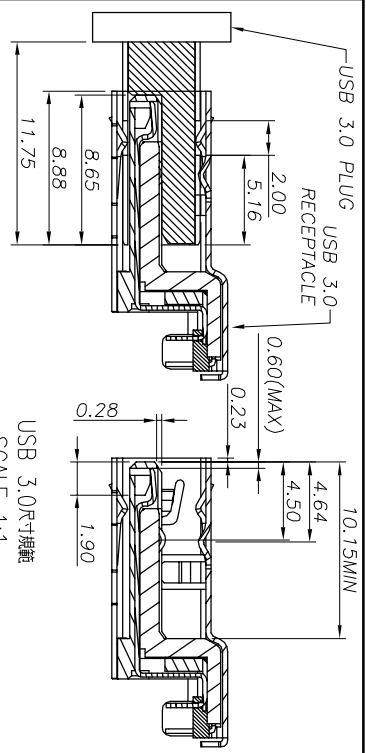
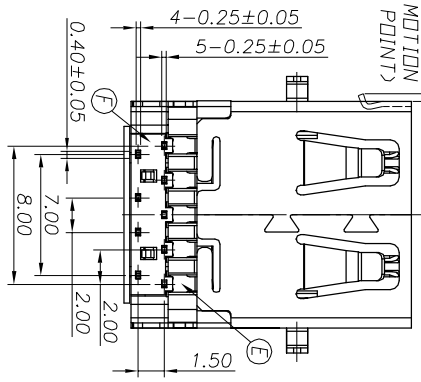


- SPECIFICATIONS:**
- ELECTRICAL CHARACTERISTICS:
 - CURRENT RATING: 1.8A (PIN1-4) ; OTHER CONTACTS 0.25A
 - CONTACT RESISTANCE: 30mΩ MAX.
 - DELECTRIC WITHSTANDING VOLTAGE: 100V AC FOR 1 MINUTE
 - INSULATION RESISTANCE: 100MΩ MIN
 - MECHANICAL CHARACTERISTICS:
 - INSERTION FORCE : 3.0 kgf MAX
 - WITHDRAWAL FORCE : 1.0 kgf(INITIAL), 0.8kgf(AFTER TEST)
 - DURABILITY: 5,000 CYCLES.
 - TO CONFORM TO SINGATRON HAZARDOUS SUBSTANCE FREE SPEC.
 - HALOGEN FREE IDENTIFICATION MARK ON JACK:
 - HALOGEN FREE IDENTIFICATION LABEL ON PACKAGING:
 - FOR IR-REFLOW LEAD-FREE PROCESS.
 - DATE : YYMMDD
 - PACKAGING : TAPE & REEL.



USB 3.0 母插
SCALE 1:1

F	HOUSING COVER	1	PA9T UL94-V	BLACK
E	TERMINAL	5	BRASS TO.25	2.0mm OVER 30μPd/Ni PLATED ON CONTACT AREA, 120μ" Matte Sn PLATED ON SOLDER ALL OVER 80μ" NICKEL PLATED.
D	TERMINAL	4	PHOSPHOR BRONZE TO.25	
C	SHELL	1	STAINLESS STEEL TO.30	NICKEL 60μ"MIN
B	BASE	1	PA9T UL94-V	BLACK
A	HOUSING	1	PA9T UL94-V	BLACK

Pin Number	Signal ASSIGNMENT
PIN 1	VBUS
PIN 2	D-
PIN 3	D+
PIN 4	GND
PIN 5	SIdA_SSRX-
PIN 6	SIdA_SSRX+
PIN 7	GND_DRAIN
PIN 8	SIdA_SSTX-
PIN 9	SIdA_SSTX+

NO	DESCRIPTION	QTY	MATERIAL	PLATING & COLOR
UNLESS OTHERWISE SPECIFIED TOLERANCES				
Singatron Enterprise Co., Ltd. 信亨企業股份有限公司				
TITLE: USB 3.0 REVERSE CONNECTOR				
DWN	Springwu	PART NO.2UB4060-000501F		
CHKD	James	SCALE 1:1	UNIT: mm	
APVD	Boye	SIZE: A3	SHEET: 1 OF 1	REV: A

CUSTOMER COPY

REV	ECN NO	OR DESCRIPTION	REVISED	DATE
A	PDR NO: T151216-2A	Spring-wu		2017.04.30