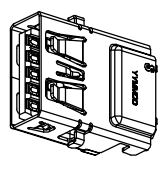
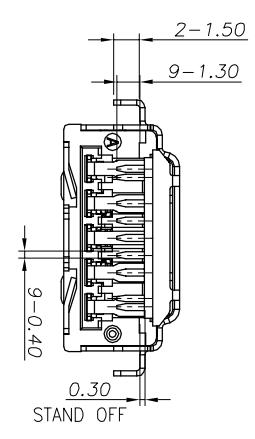
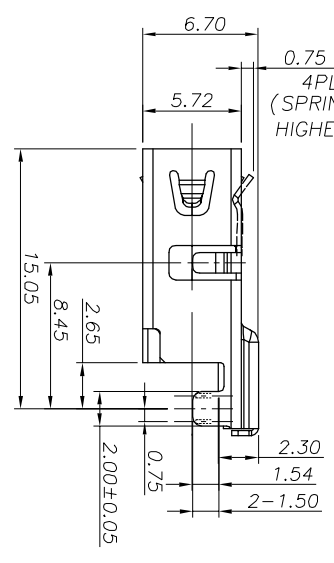
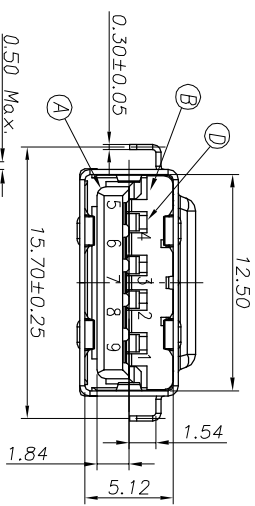


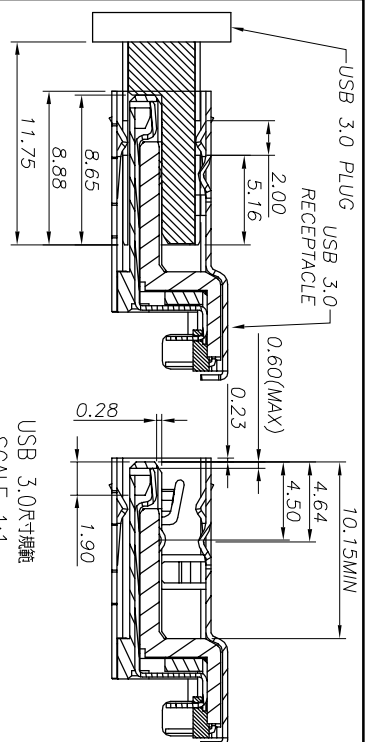
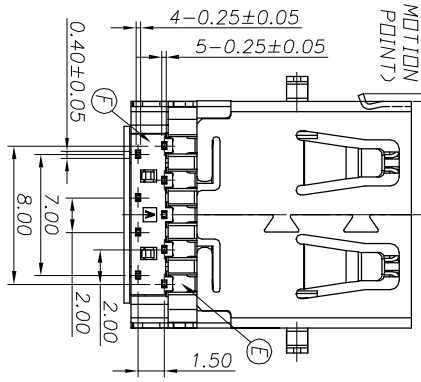
- SPECIFICATIONS:
- ELECTRICAL CHARACTERISTICS:
 - CURRENT RATING: 1.8A (PIN1, 4) ; OTHER CONTACTS 0.25A
 - CONTACT RESISTANCE: 30mΩ MAX.
 - DELECTRIC WITHSTANDING VOLTAGE: 100V AC FOR 1 MINUTE
 - INSULATION RESISTANCE: 100MΩ MIN
 - MECHANICAL CHARACTERISTICS:
 - INSERTION FORCE : 3.0 kgf MAX
 - WITHDRAWAL FORCE : 1.0 kgf(INITIAL), 0.8kgf(AFTER TEST)
 - DURABILITY: 5,000 CYCLES.
 - TO CONFORM TO SINGATRON HAZARDOUS SUBSTANCE FREE SPEC.
 - HALOGEN FREE IDENTIFICATION MARK ON JACK:
 - HALOGEN FREE IDENTIFICATION LABEL ON PACKAGING:
 - FOR IR-REFLOW LEAD-FREE PROCESS.
 - DATE : YMMDD
 - PACKAGING : TAPE & REEL.



Pin Number	Signal ASSIGNMENT
PIN 1	VBUS
PIN 2	D-
PIN 3	D+
PIN 4	GND
PIN 5	SIdA_SSRX-
PIN 6	SIdA_SSRX+
PIN 7	GND_DRAIN
PIN 8	SIdA_SSTX-
PIN 9	SIdA_SSTX+

NO	DESCRIPTION	QTY	MATERIAL	PLATING & COLOR
F	HOUSING COVER	1	PA9T UL94V-0	BLACK
E	TERMINAL	5	BRASS TO.25	20~30 OVER 30μPd/Ni PLATED ON CONTACT AREA, 120μ" Matte Sn PLATED ON ALL OVER 80μ" NICKEL PLATED.
D	TERMINAL	4	PHOSPHOR BRONZE TO.25	ALL OVER 80μ" NICKEL PLATED.
C	SHELL	1	STAINLESS STEEL TO.30	NICKEL 60μ"MIN
B	BASE	1	PA9T UL94V-0	BLUE
A	HOUSING	1	PA9T UL94V-0	BLUE

NO	DESCRIPTION	QTY	MATERIAL	PLATING & COLOR
UNLESS OTHERWISE SPECIFIED TOLERANCES				
Singatron Enterprise Co., Ltd. 信亨企業股份有限公司				
TITLE USB 3.0 REVERSE CONNECTOR				
DWM	Eileen	PART NO.2UB4060-000701F		
CHKD	James	SCALE 1:1	UNIT: mm	
APVD	Boye	SIZE: A3	SHEET: 1 OF 1	REV: A



USB 3.0尺寸規範
SCALE 1:1

CUSTOMER COPY

