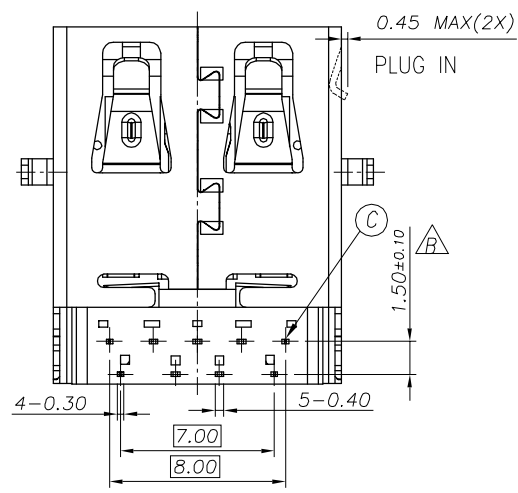
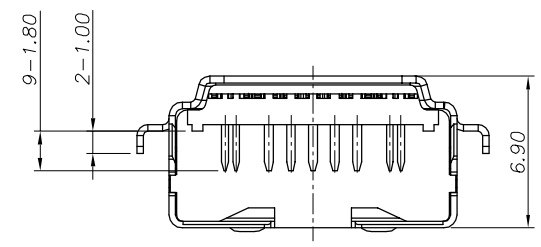
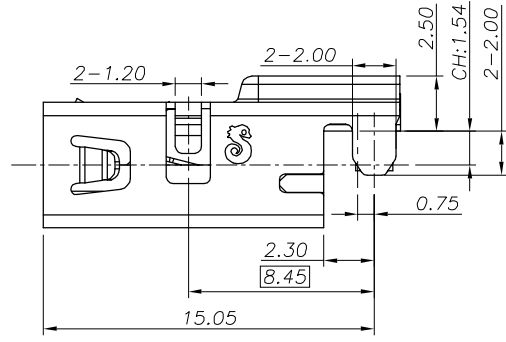
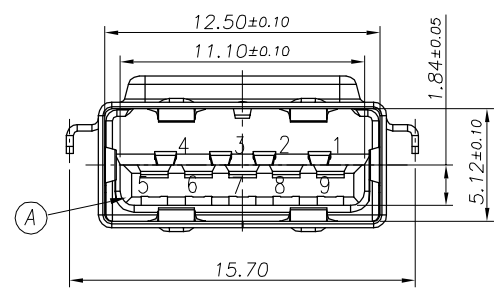
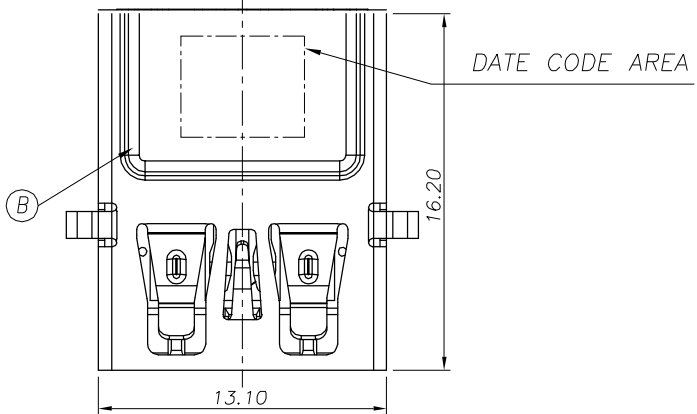


Pin Number	PIN 1	PIN 2	PIN 3	PIN 4	PIN 5	PIN 6	PIN 7	PIN 8	PIN 9
Signal ASSIGNMENT	VBUS	D-	D+	GND	StdA_SSRX-	StdA_SSRX+	GND_DRAIN	StdA_SSTX-	StdA_SSTX+

REV.	ECN NO OR DESCRIPTION	REVISED	DATE
A	PDR NO: T211015-2A	LIRUI	2021.12.29
B	ECN NO: S202301-C05	JIANGTAO	2023.01.31

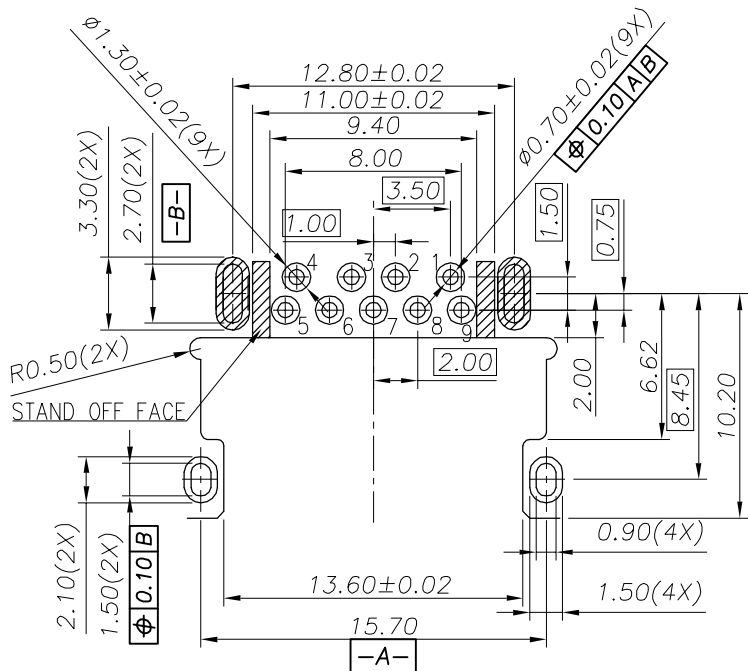
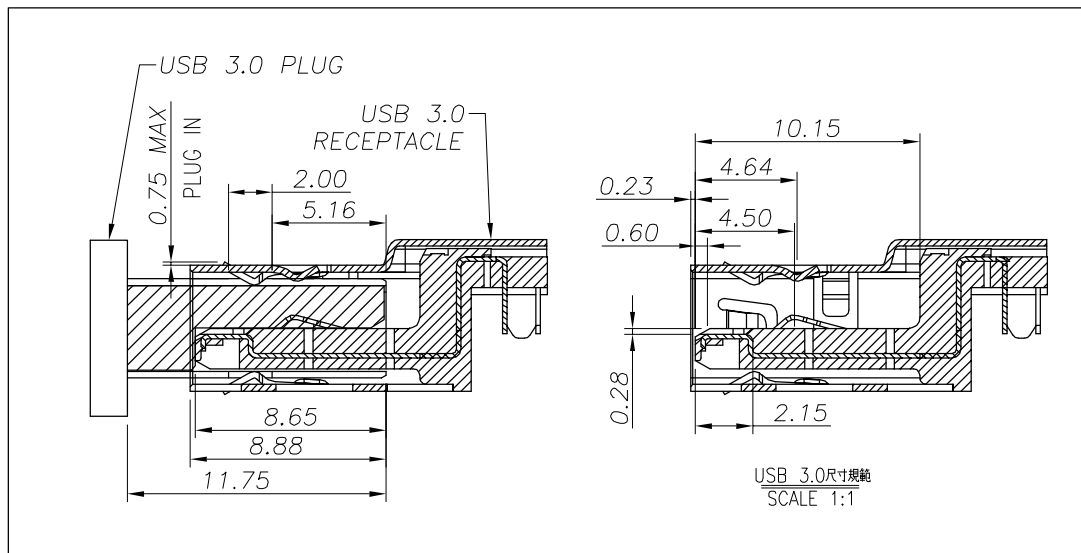


SPECIFICATIONS:

- ELECTRICAL CHARACTERISTICS:
 - CURRENT RATING: 1.8A (PIN1,4) ; OTHER CONTACTS 0.25A
 - CONTACT RESISTANCE: 30mΩ Max.
 - DIELECTRIC WITHSTANDING VOLTAGE: 100V AC FOR 1 MINUTE
 - INSULATION RESISTANCE: 100MΩ Min.
- MECHANICAL CHARACTERISTICS:
 - INSERTION FORCE : 3.5 Kgf Max.
 - WITHDRAWAL FORCE : 1.0 Kgf(INITIAL),0.8Kgf(AFTER TEST)
- DURABILITY: 5,000 CYCLES.
- TO CONFORM TO SINGATRON HAZARDOUS SUBSTANCE FREE SPEC.
- HALOGEN FREE IDENTIFICATION MARK ON JACK: Ⓢ
- HALOGEN FREE IDENTIFICATION LABEL ON PACKAGING:
- FOR IR-REFLOW LEAD-FREE PROCESS.
- IT MEETS REQUIREMENTS ABOUT DATE FORM EITHER "YYMMDD"
- PACKAGING : TAPE & REEL.

C	TERMINAL	9	COPPER ALLOY	30uin Min.Au plating on contact area, 120uin Min. Sn plating on solder tail area, and 80uin Min. Nickel under plating
B	SHELL	1	STAINLESS STEEL	80uin Min. Solderable Nickel plating
A	HOUSING	1	HIGH THERMOPLASTIC UL94V-0	BLACK
NO	DESCRIPTION	QTY	MATERIAL	PLATING & COLOR
UNLESS OTHERWISE SPECIFIED TOLERANCES		Singatron Enterprise Co., Ltd. 		
DECIMALS:		TITLE		
X	:±0.5	USB 3.0 REVERSE CONNECTOR For Gen 2		
X.X	:±0.4	DWN	JIANGTAO	PART NO.2UB4060-001101F
X.XX	:±0.3;	CHKD	Allen	SCALE 1:1 UNIT: mm
		APVD	BOYE	SIZE: A3 SHEET:1 OF 2
REV:B				
CUSTOMER COPY				

REV.	ECN NO OR DESCRIPTION	REVISED	DATE
A	PDR NO: T211015-2A	LIRUI	2021.12.29
B	ECN NO: S202301-C05	JIANGTAO	2023.01.31



Recommended P.C.B Layout (THICKNESS=1.2mm)

NO	DESCRIPTION	QTY	MATERIAL	PLATING & COLOR
UNLESS OTHERWISE SPECIFIED TOLERANCES		Singatron Enterprise Co., Ltd. 信音企業股份有限公司		
DECIMALS: X :±0.5 X.X :±0.4 X.XX :±0.3;		TITLE: USB 3.0 REVERSE CONNECTOR DWN: JIANGTAO PART NO. 2UB4060-001101F CHKD: Allen SCALE 1:1 UNIT: mm APVD: LIAO SIZE: A3 SHEET: 2 OF 2 REV: B		
CUSTOMER COPY				