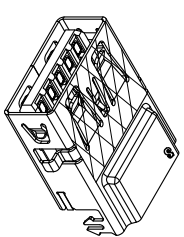
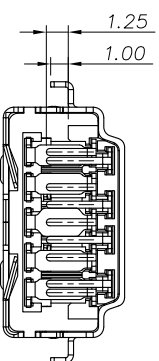
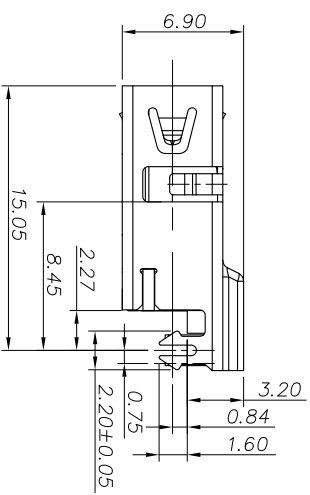
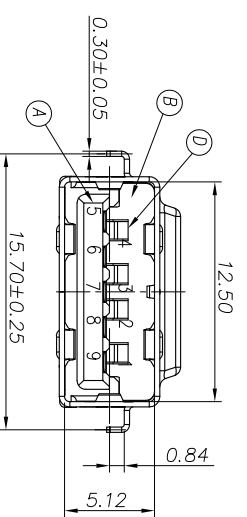
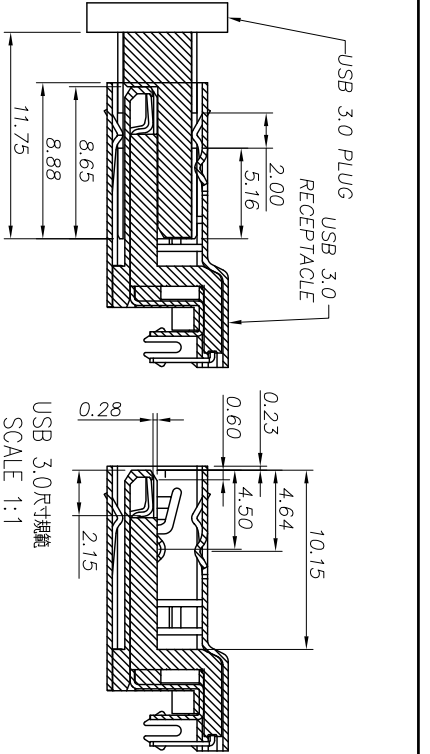
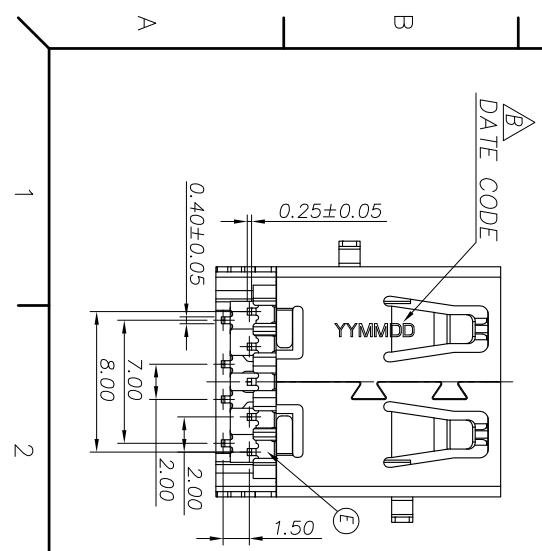


Recommended P.C.B Layout (THICKNESS=1.2mm)  
(Component Side) TOLERANCE=±0.03 TOP VIEW



- SPECIFICATIONS:
1. ELECTRICAL CHARACTERISTICS:
    - 1-1. CURRENT RATING: 1.8A (PIN 4) ; OTHER CONTACTS 0.25A
    - 1-2. CONTACT RESISTANCE: 30mΩ MAX.
    - 1-3. DIELECTRIC WITHSTANDING VOLTAGE: 100V AC FOR 1 MINUTE
    - 1-4. INSULATION RESISTANCE: 100M Ω MIN
  2. MECHANICAL CHARACTERISTICS:
    - 2-1. INSERTION FORCE : 3.5 kgf MAX
    - 2-2. WITHDRAWAL FORCE : 1.0 kgf(INITIAL), 0.8kgf(AFTER TEST)
  3. DURABILITY : 5,000 CYCLES.
  4. TO CONFORM TO SINGATRON HAZARDOUS SUBSTANCE FREE SPEC.
  5. HALOGEN PRODUCT IDENTIFICATION MARK ON JACK.
  6. HALOGEN PRODUCT IDENTIFICATION LABEL ON PACKAGING.
  7. FOR IR-REFLOW LEAD-FREE PROCESS.
  8. DATE : YMMDD
  9. PACKAGING : TAPE & REEL.



Pin Number	Signal ASSIGNMENT
PIN 1	VBUS
PIN 2	D-
PIN 3	D+
PIN 4	GND
PIN 5	SIDA_SSRX-
PIN 6	SIDA_SSRX+
PIN 7	GND_DRAIN
PIN 8	SIDA_SSTX-
PIN 9	SIDA_SSTX+

F	WYLAR	1	KAPTON 11.0x8.0	YELLOW
E	TERMINAL	5	COOPER ALLOY	207μm OVER 300Pb/Pd/NI PLATED ON MATING AREA, 120μ" Sn PLATED ON SOLDERING. 80μNICKEL UNDER PLATING OVERALL.
D	TERMINAL	4	COOPER ALLOY	
C	SHELL	1	STAINLESS STEEL	NICKEL 60μ"MIN
B	BASE	1	HIGH THERMOPLASTIC	BLUE
A	HOUSING	1	HIGH THERMOPLASTIC	BLUE
NO	DESCRIPTION	QTY	MATERIAL	PLATING & COLOR
UNLESS OTHERWISE SPECIFIED TOLERANCES				
DECIMALS:		ANGLES:		
X	: ±0.5	X	: ±2°	
X.X	: ±0.4	X.X	: ±1'	
X.XX	: ±0.3			
Singatron Enterprise Co., Ltd. 信音企業股份有限公司				
TITLE: USB 3.0 REVERSE CONNECTOR				
DWG	DWG	PART NO. ZUB4060-100101F		
CHKD	VECTOR	SCALE 1:1	UNIT: mm	
APVD	APVD	DATE: 2013.12.24	SIZE: A3	SHEET: 1 OF 1
REV: B				
CUSTOMER COPY				