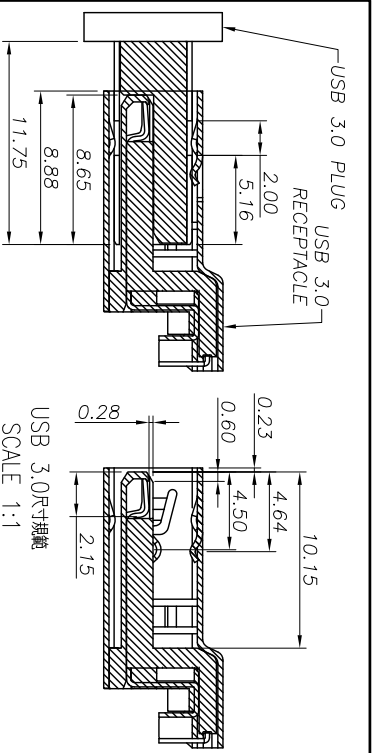
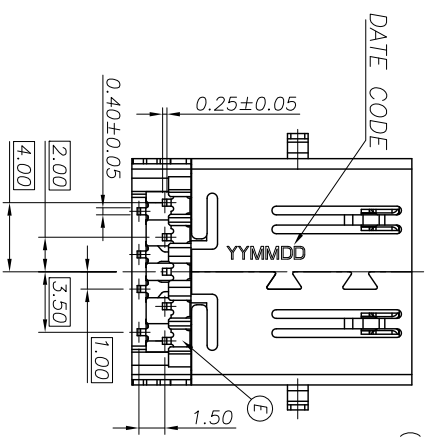
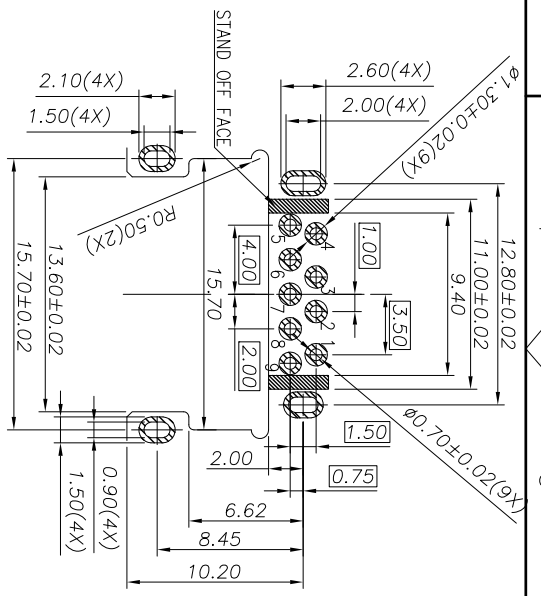
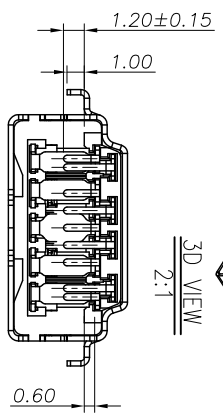
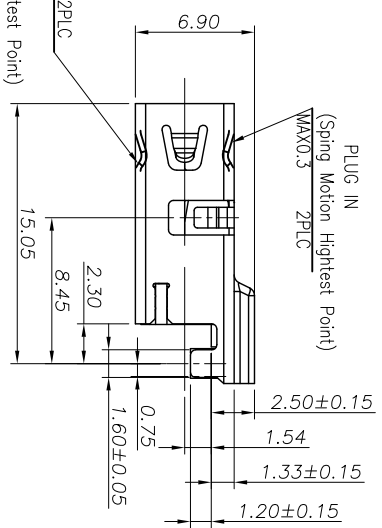
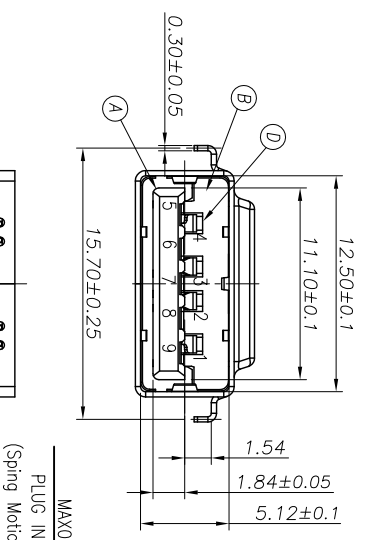
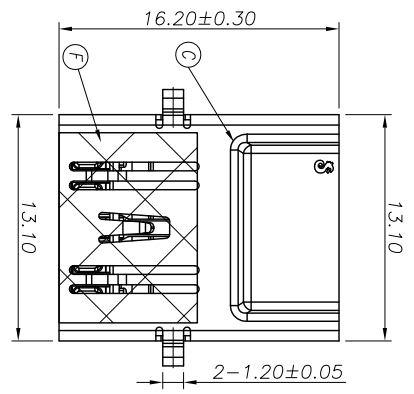


REV/ECN NO OR DESCRIPTION	REVISED	DATE
A PDR NO: S140528-6A	Edi:Zhou	2014.09.16

- SPECIFICATIONS:
- ELECTRICAL CHARACTERISTICS:
 - 1-1. ELECTRICAL RATING: 1.8A (PIN1-4) ; OTHER CONTACTS 0.25A
 - 1-2. CURRENT RATING: 1.8A (PIN1-4) ; OTHER CONTACTS 0.25A
 - 1-3. CONTACT RESISTANCE: 30mΩ MAX
 - 1-4. DIELECTRIC WITHSTANDING VOLTAGE: 100V AC FOR 1 MINUTE
 - MECHANICAL CHARACTERISTICS:
 - 2-1. INSULATION RESISTANCE: 100M Ω MIN
 - 2-2. MECHANICAL CHARACTERISTICS:
 - 2-2-1. INSERTION FORCE : 3.5 kgf MAX
 - 2-2-2. WITHDRAWAL FORCE : 1.0 kgf(INITIAL),0.8kgf(AFTER TEST)
 - 2-3. DURABILITY: 5,000 CYCLES.
 - 2-4. TO CONFORM TO SINGATRON HAZARDOUS SUBSTANCE FREE SPEC.
 - HALOGEN FREE IDENTIFICATION MARK ON JACK: ©
 - HALOGEN FREE IDENTIFICATION LABEL ON PACKAGING:
 - FOR IR-REFLOW LEAD-FREE PROCESS.
 - DATE : YYMMDD
 - PACKAGING : TAPE & REEL.



Pin Number	Signal ASSIGNMENT
Pin 1	VBUS
Pin 2	D-
Pin 3	D+
Pin 4	GND
Pin 5	SDA_SSRX-
Pin 6	SDA_SSRX+
Pin 7	GND_DRAIN
Pin 8	SDA_SSTX-
Pin 9	SDA_SSTX+

NO	DESCRIPTION	MATERIAL	PLATING & COLOR
F	MYLAR	1 KAPTON	11.0x8.0 YELLOW
E	TERMINAL	5 COOPER ALLOY	2.0μm OVER 30μm/Pd/IN PLATED ON WATING AREA, 120μ" Sn PLATED ON SOLDERING
D	TERMINAL	4 COOPER ALLOY	80μNICKEL UNDER PLATING OVERALL
C	SHELL	1 STAINLESS STEEL	NICKEL 60μ"MIN
B	BASE	1 HIGH THERMOPLASTIC	BLUE (300C)
A	HOUSING	1 HIGH THERMOPLASTIC	BLUE (300C)
NO	DESCRIPTION	MATERIAL	PLATING & COLOR

UNLESS OTHERWISE SPECIFIED TOLERANCES

DECIMALS: ANGLES:

X :±0.5 X :±2°

XX :±0.3 X.X :±1°

XXX :±0.2 X.XX

Singatron Enterprise Co., Ltd.
信亨企業股份有限公司

TITLE: USB 3.0 REVERSE CONNECTOR

Edi:Zhou PART NO: ZUB4060-110101F

CHKD: Boye SCALE: 1:1 UNIT: mm

APVD: Boye SIZE: A3 SHEET: 1 OF 1 REV: A

CUSTOMER COPY