

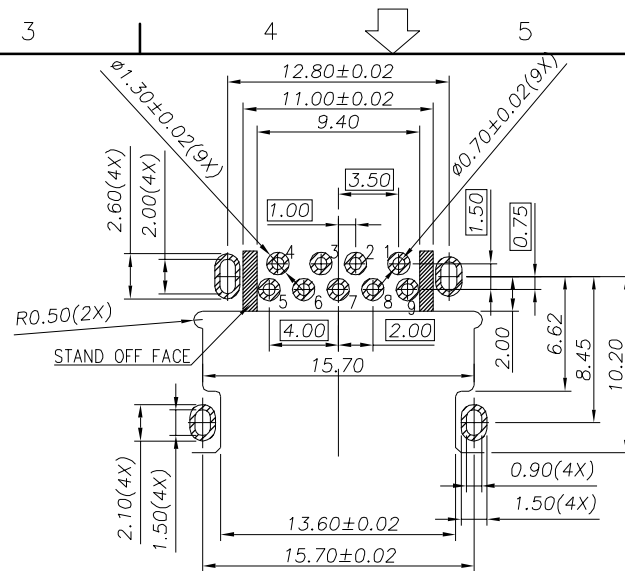
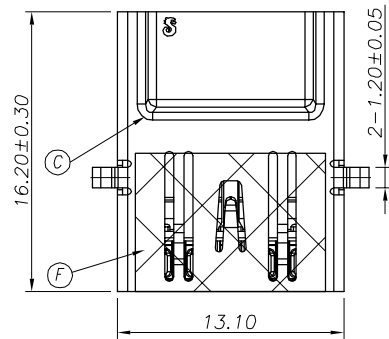


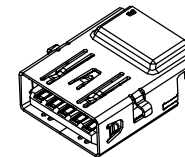
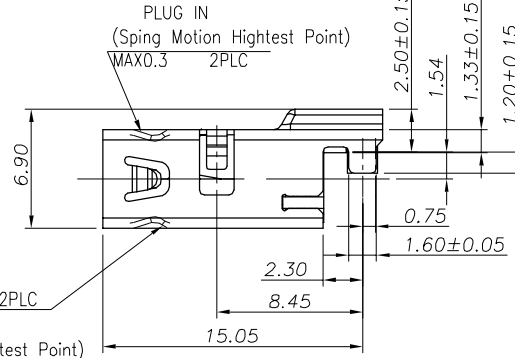
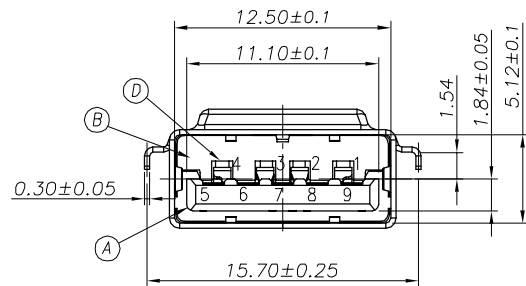
REV.	ECN NO OR DESCRIPTION	REVISED	DATE
A	PDR NO: S180420-1A	Chensong	2018.09.29

SPECIFICATIONS:

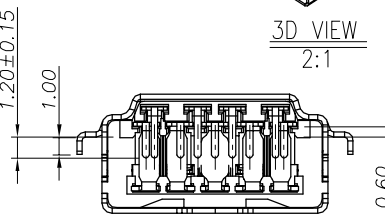
- ELECTRICAL CHARACTERISTICS:
  - CURRENT RATING: 1.8A (PIN1,4) ; OTHER CONTACTS 0.25A
  - CONTACT RESISTANCE: 30mΩ MAX.
  - DIELECTRIC WITHSTANDING VOLTAGE: 100V AC FOR 1 MINUTE
  - INSULATION RESISTANCE: 100MΩ MIN
- MECHANICAL CHARACTERISTICS:
  - INSERTION FORCE : 3.5 Kgf MAX
  - WITHDRAWAL FORCE : 1.0 Kgf(INITIAL),0.8Kgf(AFTER TEST)
- DURABILITY: 5,000 CYCLES.
- TO CONFORM TO SINGATRON HAZARDOUS SUBSTANCE FREE SPEC.
- HALOGEN FREE IDENTIFICATION MARK ON JACK: 
- HALOGEN FREE IDENTIFICATION LABEL ON PACKAGING: 
- FOR IR-REFLOW LEAD-FREE PROCESS.
- DATE : YYMMDD
- PACKAGING : TAPE & REEL.



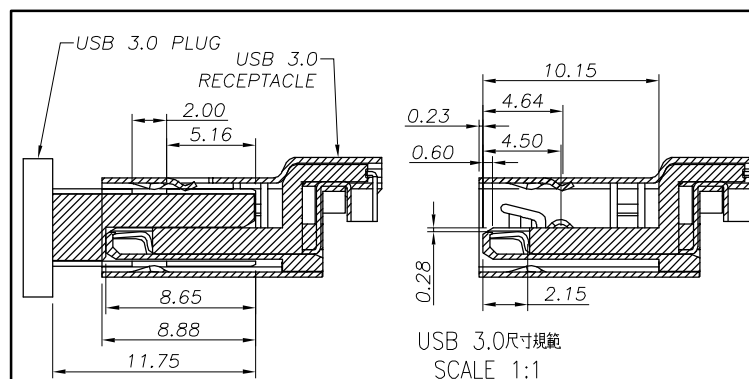
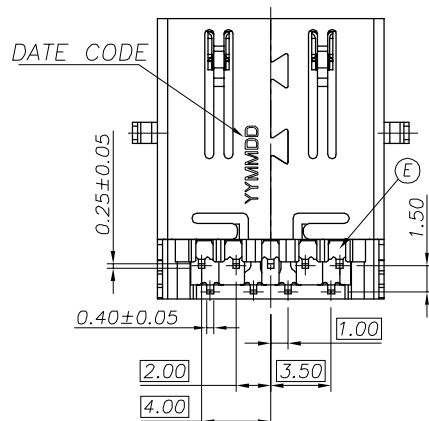
Recommended P.C.B Layout (THICKNESS=1.2mm)  
(Component Side) TOLERANCE=±0.03 (TOP VIEW)



3D VIEW  
2:1



Pin Number	Signal ASSIGNMENT
PIN 1	VBUS
PIN 2	D-
PIN 3	D+
PIN 4	GND
PIN 5	StdA_SSRX-
PIN 6	StdA_SSRX+
PIN 7	GND_DRAIN
PIN 8	StdA_SSTX-
PIN 9	StdA_SSTX+



USB 3.0尺寸規範  
SCALE 1:1

"TABLE"

2UB4060-110201F	BLACK			
2UB4060-110101F	BLUE (300C)			
F	MYLAR	1	KAPTON 11.0x8.0	YELLOW
E	TERMINAL	5	COPPER ALLOY	2u" Au OVER 30u" Pd/Ni PLATED ON MATING AREA, 120u" Sn PLATED ON SOLDERING. 80u" NICKEL UNDER PLATING OVERALL.
D	TERMINAL	4	COPPER ALLOY	
C	SHELL	1	STAINLESS STEEL	NICKEL 60u" MIN
B	BASE	1	HIGH THERMOPLASTIC	SEE "TABLE"
A	HOUSING	1	HIGH THERMOPLASTIC	SEE "TABLE"
NO	DESCRIPTION	QTY	MATERIAL	PLATING & COLOR

UNLESS OTHERWISE SPECIFIED TOLERANCES

Singatron Enterprise Co., Ltd.  
信音企業股份有限公司

DECIMALS:	ANGLES:	TITLE	USB 3.0 REVERSE CONNECTOR	
X : ±0.5	X : ±2°	DWN	Chensong	PART NO. 2UB4060-110X01F
X.X : ±0.3	X.X : ±1°	CHKD	SCALE 1:1	UNIT: mm
X.XX : ±0.2		APVD	SIZE: A3	SHEET: 1 OF 1

CUSTOMER COPY