

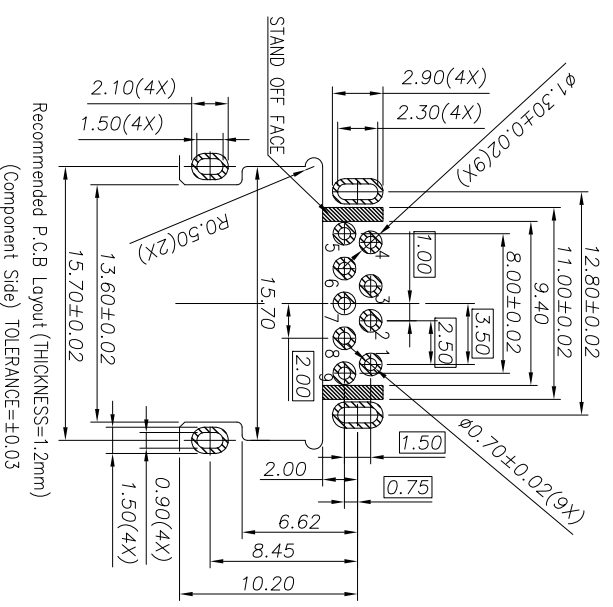
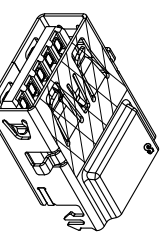
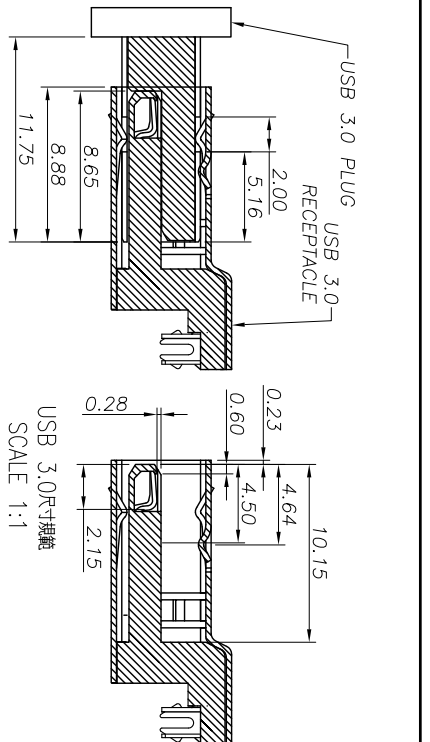
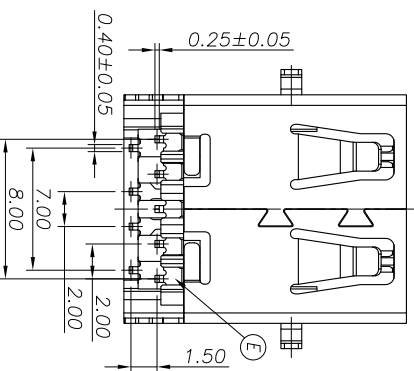
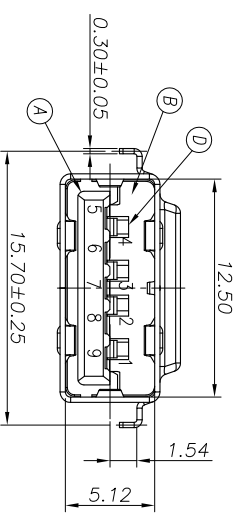
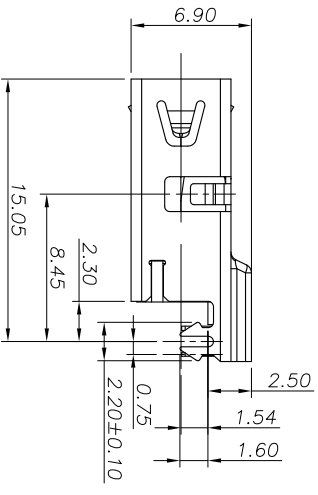
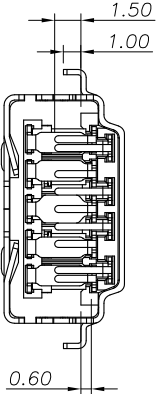


REV.	ECN NO. OR PDR NO.	DESCRIPTION	REVISED	DATE
A	PDR NO: T121206-4A	JASON	2013.01.31	

- SPECIFICATIONS:**
- 1. ELECTRICAL CHARACTERISTICS:
    - 1-1. CURRENT RATING: 1.8A (PIN1,4) ; OTHER CONTACTS 0.25A
    - 1-2. CONTACT RESISTANCE: 30mΩ MAX.
    - 1-3. DIELECTRIC WITHSTANDING VOLTAGE: 100V AC FOR 1 MINUTE
  - 1-4. INSULATION RESISTANCE: 100MΩ MIN
  - 2. MECHANICAL CHARACTERISTICS:
    - 2-1. INSERTION FORCE : 3.5 Kgf MAX
    - 2-2. WITHDRAWAL FORCE : 1.0 kgf (INITIAL), 0.8kgf (AFTER TEST)
  - 3. DURABILITY: 5,000 CYCLES.
  - 4. TO CONFORM TO SINGATRON HAZARDOUS SUBSTANCE FREE SPEC.
  - 5. HALOGEN PRODUCT IDENTIFICATION MARK ON JACK: 
  - 6. HALOGEN PRODUCT IDENTIFICATION LABEL ON PACKAGING: 
  - 7. FOR IR-REFLOW LEAD-FREE PROCESS.
  - 8. DATE : YMMDD
  - 9. PACKAGING : TAPE & REEL.



Recommended P.C.B Layout (THICKNESS=1.2mm)  
(Component Side) TOLERANCE=±0.03



USB 3.0尺寸規範  
SCALE 1:1

Pin Number	Signal ASSIGNMENT
PIN 1	VBUS
PIN 2	D-
PIN 3	D+
PIN 4	GND
PIN 5	SDA_SSRX-
PIN 6	SDA_SSRX+
PIN 7	GND_DRAIN
PIN 8	SDA_SSTX-
PIN 9	SDA_SSTX+

NO	DESCRIPTION	QTY	MATERIAL	PLATING & COLOR
F	MYLAR	1	KAPTON 11.0x8.0	YELLOW
E	TERMINAL	5	COPPER ALLOY	ROUD FLASH PLATED ON WIRING AREA Halt. Sp. 100µm PLATED ON SOLDERING 60µNICKEL UNDER PLATING OVERALL
D	TERMINAL	4	COPPER ALLOY	
C	SHELL	1	STAINLESS STEEL	NICKEL 60µ"MIN
B	BASE	1	HIGH THERMOPLASTIC	BLUE (300C)
A	HOUSING	1	HIGH THERMOPLASTIC	BLUE (300C)
NO	DESCRIPTION	QTY	MATERIAL	PLATING & COLOR

UNLESS OTHERWISE SPECIFIED TOLERANCES:  
DECIMALS: ANGLES:  
X : ±0.5 X : ±2°  
X.X : ±0.4 X.X : ±1'  
X.XX : ±0.3

Singatron Enterprise Co., Ltd.  
信音企業股份有限公司

TITLE: USB 3.0 REVERSE CONNECTOR

DWN: JASON 2013.01.31 PART NO. 2UB34060-200001F

CHKD: SCALE 1:1 UNIT: mm

APVD: ACHENG 2013.12.4 SIZE: A3 SHEET: 1 OF 1 REV: A

**CUSTOMER COPY**