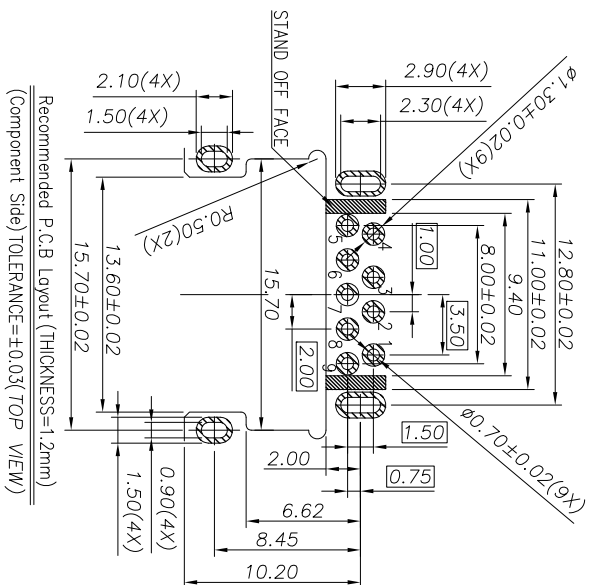
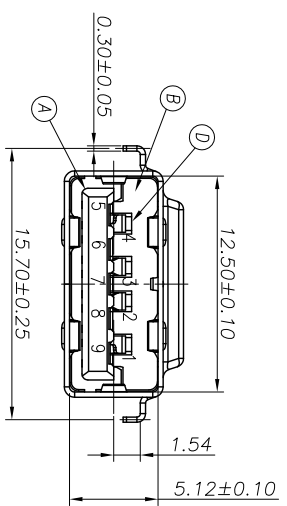
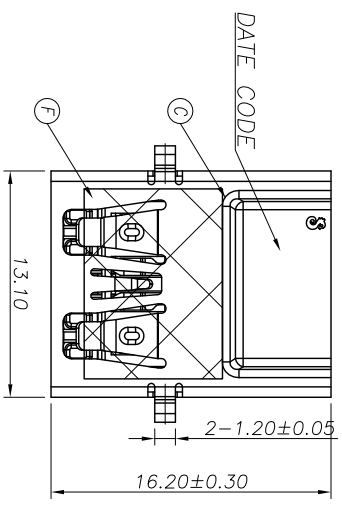


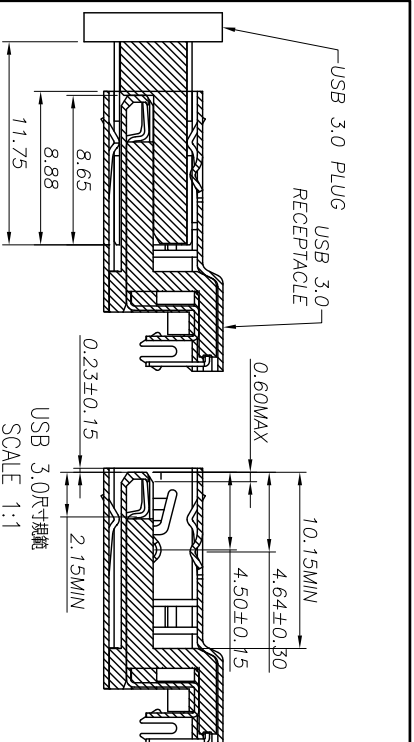
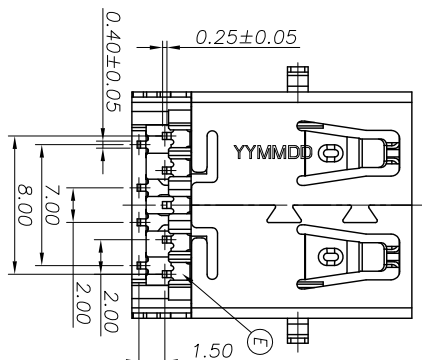
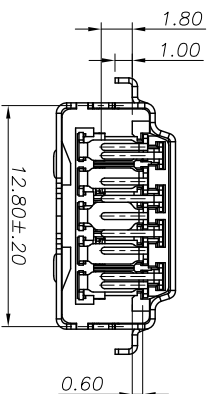
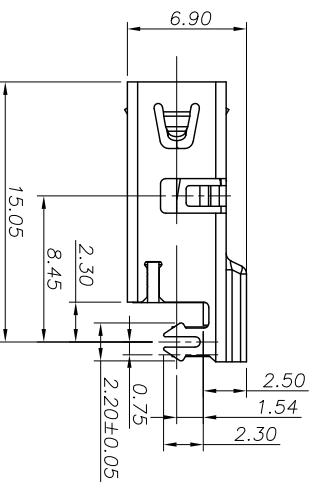
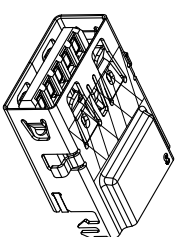
REV.	ECN NO.	OR DESCRIPTION	REVISED	DATE
A	PDR NO: T140113-2A		Dok	2014.06.03
B	ECN NO: S140675		SEAN	2014.08.15

SPECIFICATIONS:

- ELECTRICAL CHARACTERISTICS:
 - 1-1. CURRENT RATING: 1.8A (PIN1-4) ; OTHER CONTACTS 0.25A
 - 1-2. CONTACT RESISTANCE: 30mΩ MAX
 - 1-3. DIELECTRIC WITHSTANDING VOLTAGE: 100V AC FOR 1 MINUTE
 - 1-4. INSULATION RESISTANCE: 100MΩ MIN
- MECHANICAL CHARACTERISTICS:
 - 2-1. INSERTION FORCE : 3.5 kgf MAX
 - 2-2. WITHDRAWAL FORCE : 1.0 kgf(INITIAL), 0.8kgf(AFTER TEST)
 3. DURABILITY: 5,000 CYCLES.
 4. TO CONFORM TO SINGATRON HAZARDOUS SUBSTANCE FREE SPEC.
 5. HALOGEN FREE PRODUCT IDENTIFICATION MARK ON JACK:
 6. HALOGEN FREE PRODUCT IDENTIFICATION LABEL ON PACKAGING:
 7. FOR IR-REFLOW LEAD-FREE PROCESS.
 8. DATE : YYMMDD
 9. PACKAGING : TAPE & REEL.



Recommended P.C.B Layout (THICKNESS=1.2mm)
(Component Side) TOLERANCE=±0.03(TOP VIEW)



Pin Number	Signal ASSIGNMENT
PIN 1	VBUS
PIN 2	D-
PIN 3	D+
PIN 4	GND
PIN 5	SDA_SSRX-
PIN 6	SDA_SSRX+
PIN 7	GND_DRAIN
PIN 8	SDA_SSTX-
PIN 9	SDA_SSTX+

NO	DESCRIPTION	QTY	MATERIAL	PLATING & COLOR
F	MYLAR	1	KAPTON 11.0x8.0	YELLOW
E	TERMINAL	5	BRASS	
D	TERMINAL	4	PHOSPHOR BRONZE	2.0μ OVER 30μ/Pd/Ni PLATED ON MATING AREA, 120μ Sn PLATED ON SOLDERING. 80μ/NICKEL UNDER PLATING OVERALL.
C	SHELL	1	STAINLESS STEEL	NICKEL 60μ"MIN
B	BASE	1	PA-9T UL94V-0	BLUE (300C)
A	HOUSING	1	PA-9T UL94V-0	BLUE (300C)

UNLESS OTHERWISE SPECIFIED TOLERANCES

DECIMALS:	ANGLES:
X : ±0.5	X : ±2°
X.X : ±0.3	X.X : ±1°
X.XX : ±0.2	

TITLE	USB 3.0 REVERSE CONNECTOR
DWM SEAN	PART NO. 2UB4060-900101F
CHKD CERRY	SCALE: 1:1
APVD MAX	SIZE: A3 SHEET: 1 OF 1

CUSTOMER COPY

Singatron Enterprise Co., Ltd.
信亨企業股份有限公司