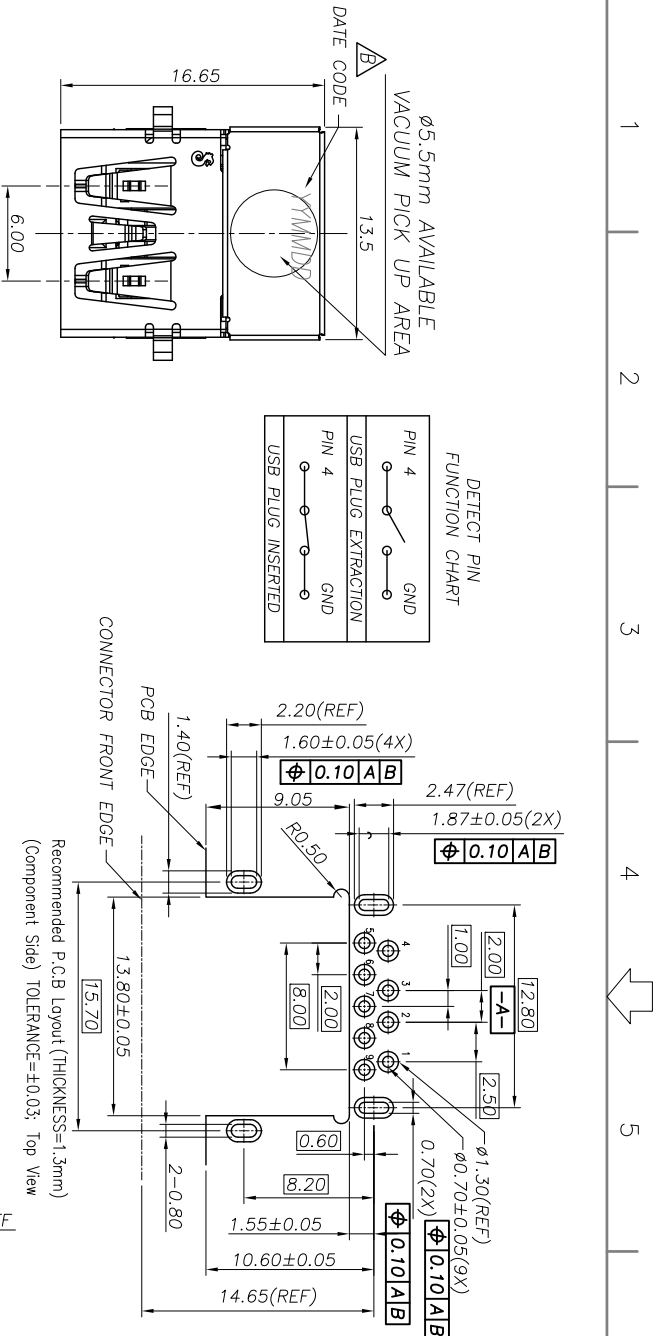
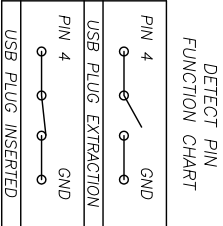


ø5.5mm AVAILABLE  
VACUUM PICK UP AREA



- SPECIFICATIONS:
- ELECTRICAL CHARACTERISTICS:
    - 1-1. CURRENT RATING: 1.8A (PIN1,4) ; OTHER CONTACTS 0.25A
    - 1-2. CONTACT RESISTANCE: 30mΩ MAX
    - 1-3. DIELECTRIC WITHSTANDING VOLTAGE: 300V AC FOR 1 MINUTE
    - 1-4. INSULATION RESISTANCE: 100MΩ MIN
  - MECHANICAL CHARACTERISTICS:
    - 2-1. INSERTION FORCE : 3.5 Kgf MAX
    - 2-2. WITHDRAWAL FORCE : 1.0 Kgf MIN (INITIAL)  
0.8 Kgf MIN (AFTER TEST)
  - DURABILITY: 5,000 CYCLES.
  - TO CONFORM TO SINGATRON HAZARDOUS SUBSTANCE FREE SPEC.
  - HALOGEN FREE IDENTIFICATION MARK ON JACK: ☉
  - HALOGEN FREE IDENTIFICATION LABEL ON PACKAGING:
  - FOR IR RE-FLOW PROCESS.
  - DATE : YYMMDD
  - PACKAGING : TAPE & REEL.
  - OTHER GENERAL SPEC. TO REFER "ZUB4063 SERIES SPEC".
  - PACKAGE: SEE "ZUB4063 SERIES" PACKAGE.

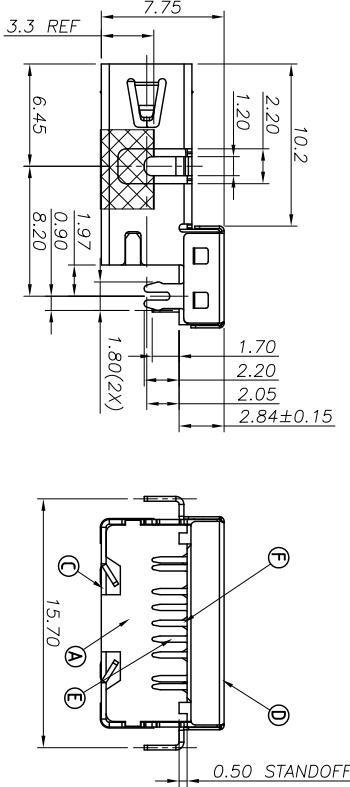
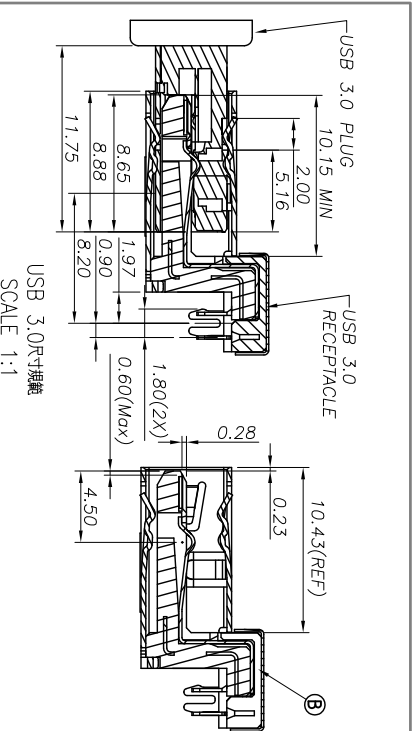
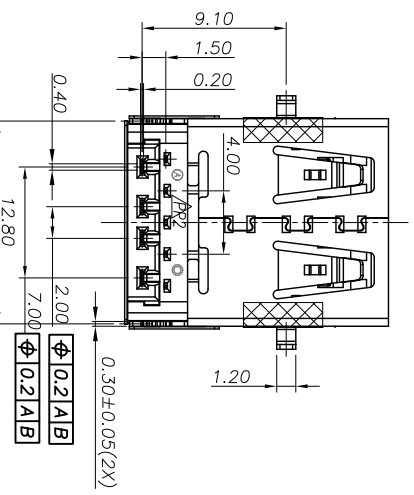
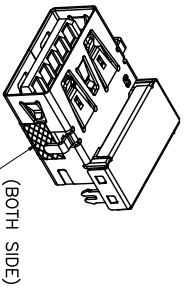


TABLE:

P/N	PLATING	Pin NO.	Signal Assignment
ZUB4063-000001F	①	1	VBUS
ZUB4063-000001F	②	2	D-
ZUB4063-000001F	③	3	D+
ZUB4063-000001F	④	4	PGND
ZUB4063-000001F	⑤	5	SSRX-
ZUB4063-000001F	⑥	6	SSRX+
ZUB4063-000001F	⑦	7	GND
ZUB4063-000001F	⑧	8	SSTX-
ZUB4063-000001F	⑨	9	SSTX+



NO	DESCRIPTION	QTY	MATERIAL	PLATING & COLOR
A	BODY	1	HIGH THERMOPLASTIC	BLACK
B	PLATE	1	HIGH THERMOPLASTIC	BLACK
C	SHELL	1	STAINLESS STEEL	NICKEL 60μ"MIN
D	COVER	1	STAINLESS STEEL	SEE TABLE
E	TERMINAL	4	COOPER ALLOY	SEE TABLE
F	TERMINAL	5	COOPER ALLOY	SEE TABLE
G	MYLAR	2	KAPTON 5.0*4.0	YELLOW
H	INK			BLACK

UNLESS OTHERWISE SPECIFIED TOLERANCES

DECIMALS: ANGLES:

:.±0.5 X :±2°  
X.X :±0.4 X.X :±1°  
X.XX :±0.3 X.XX

Singaton Enterprise Co., Ltd.  
信晉企業股份有限公司

Part No. ZUB4063-000X01F

SCALE 1:1 UNIT: mm

SHEET: 1 OF 1 REV: B

CUSTOMER COPY