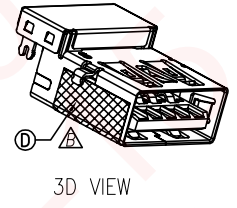
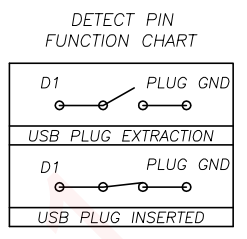
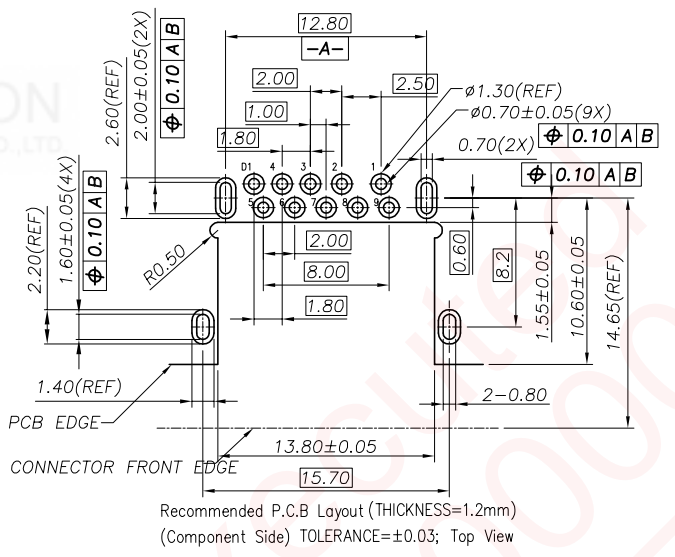
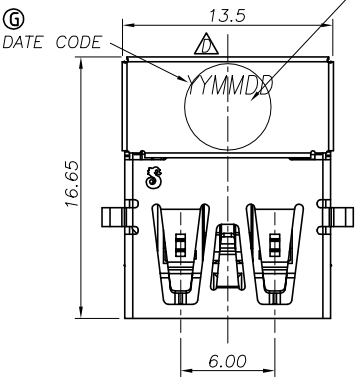


REV.	ECN NO OR DESCRIPTION	REVISED	DATE
B	ECN NO:L140068/106	IVY-C	2014.09.12
C	ECN NO:L140161	IVY-C	2014.12.18
D	ECN NO:L150041	IVY-C	2015.05.14

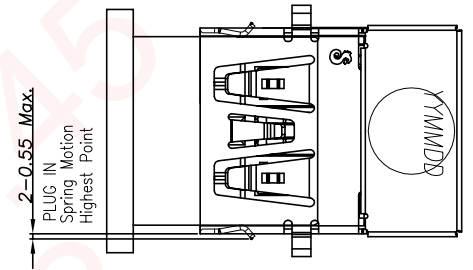
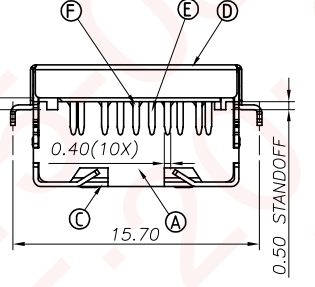
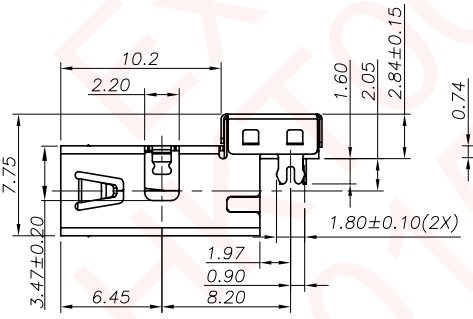
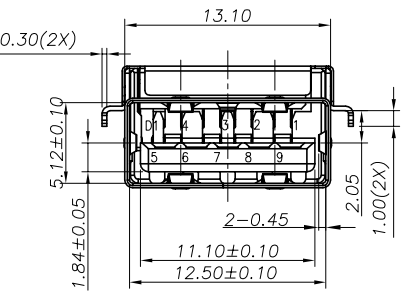
Ø5.5mm AVAILABLE  
VACUUM PICK UP AREA



**SPECIFICATIONS:**

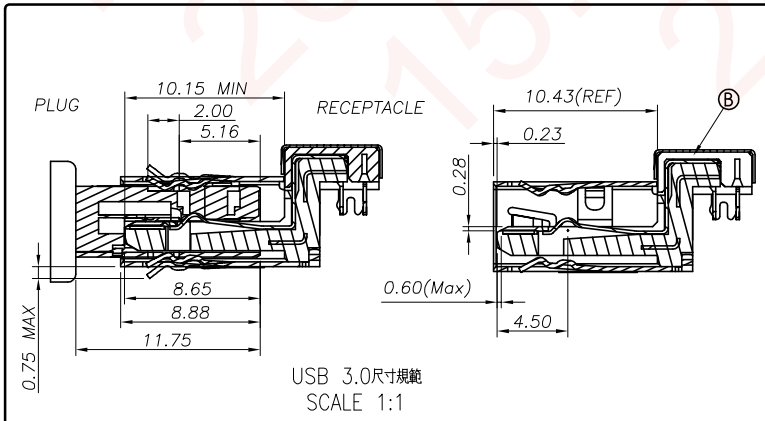
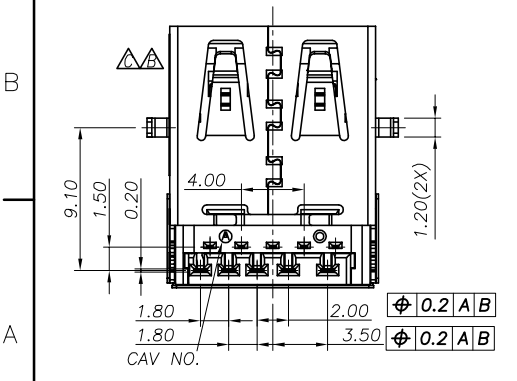
- 1. ELECTRICAL CHARACTERISTICS:**  
 1-1. CURRENT RATING: 1.8A (PIN1,4) ; OTHER CONTACTS 0.25A  
 1-2. CONTACT RESISTANCE: 30mΩ MAX.  
 1-3. DIELECTRIC WITHSTANDING VOLTAGE: 100V AC FOR 1 MINUTE  
 1-4. INSULATION RESISTANCE: 100MΩ MIN
- 2. MECHANICAL CHARACTERISTICS:**  
 2-1. INSERTION FORCE : 2.5 Kgf MAX  
 2-2. WITHDRAWAL FORCE : 1.0~2.5 Kgf(INITIAL)  
 0.8~2.5 Kgf(AFTER TEST)
- 3. DURABILITY:** 5,000 CYCLES.  
**4.** TO CONFORM TO SINGATRON HAZARDOUS SUBSTANCE FREE SPEC.  
**5.** HALOGEN FREE IDENTIFICATION MARK ON JACK: Ⓞ  
**6.** HALOGEN FREE IDENTIFICATION LABEL ON PACKAGING:
- 7.** FOR IR RE-FLOW PROCESS.  
**8.** DATE : YMMDD  
**9.** PACKAGING : TAPE & REEL.  
**10.** OTHER GENERAL SPEC. TO REFER "2UB4063 SERIES SPEC".  
**11.** PACKAGE: SEE "2UB4063-100101F" PACKAGE.

Pin NO.	Signal Assignment
1	VBUS
2	D-
3	D+
4	PGND
D1	DETECT PIN
5	SSRX-
6	SSRX+
7	GND
8	SSTX-
9	SSTX+



NO	DESCRIPTION	QTY	MATERIAL	PLATING & COLOR
H	MYLAR	1		BLACK
G	INK			BLACK
F	TERMINAL	5	COOPER ALLOY	1u"Au OVER 30u"Pd/Ni ON MATING AREA, MATTE Sn 100uIN ON SOLDERING AREA, 80uIN NICKEL UNDER PLATING OVERALL
E	TERMINAL	4	COOPER ALLOY	
D	COVER	1	STAINLESS STEEL	
C	SHELL	1	STAINLESS STEEL	NICKEL 60u"MIN
B	PLATE	1	PA9T	BLACK
A	BODY	1	PA9T	BLACK

UNLESS OTHERWISE SPECIFIED TOLERANCES		Singatron Enterprise Co., Ltd. 信音企業股份有限公司	
DECIMALS:	ANGLES:	TITLE	USB 3.0 REVERSE CONNECTOR
X : ±0.5	X : ±2°	DWN	IVY-C 2015.05.14 PART NO.2UB4063-100101F
XX : ±0.3	XX : ±1°	CHKD	ANGELA2015.05.14 SCALE: 1:1 UNIT: mm
XXX : ±0.2		APVD	ANGELA2015.05.14 SIZE: A3 SHEET: 1 OF 1 REV: D
<b>CUSTOMER COPY</b>			



USB 3.0尺寸規範  
SCALE 1:1