
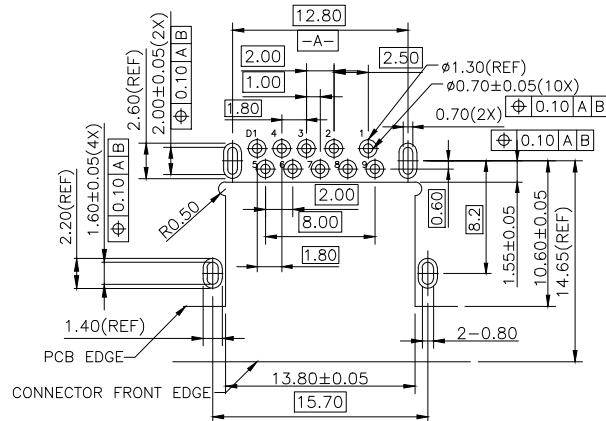
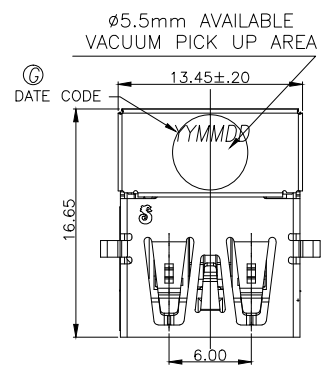
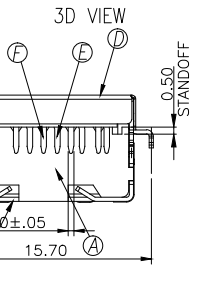
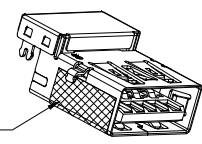
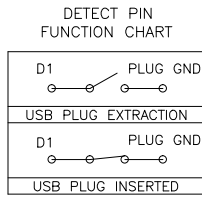


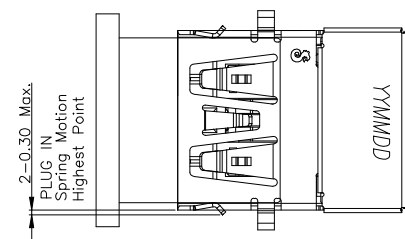
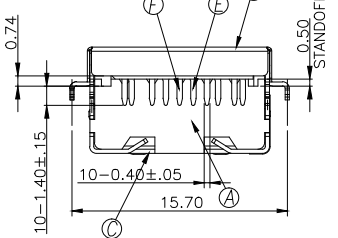
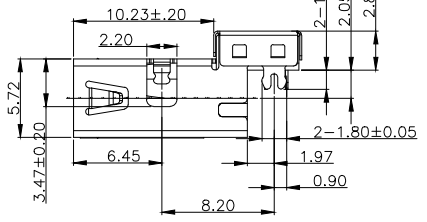
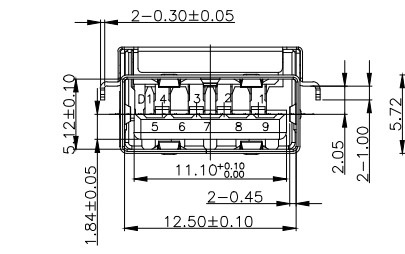
| REV. | ECN NO OR DESCRIPTION | REVISED | DATE       |
|------|-----------------------|---------|------------|
| A    | PDR RELEASE           | EVEN    | 2019.05.30 |
| B    | ECN NO: L202207-004   | EVEN    | 2022.08.17 |

SPECIFICATIONS:

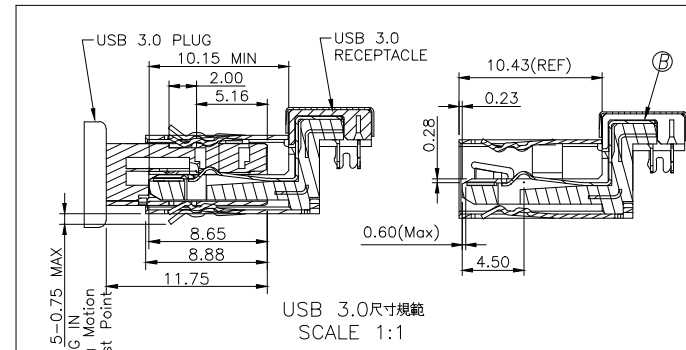
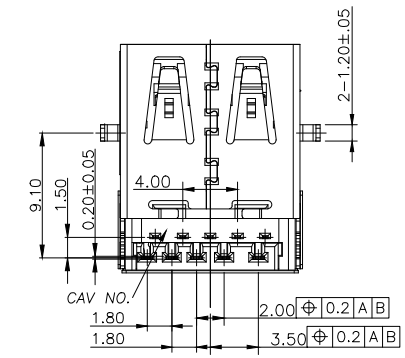
- ELECTRICAL CHARACTERISTICS:
  - CURRENT RATING: 1.8A (PIN1.4) ; OTHER CONTACTS 0.25A
  - CONTACT RESISTANCE: 30mΩ MAX.
  - DIELECTRIC WITHSTANDING VOLTAGE: 100V AC FOR 1 MINUTE
  - INSULATION RESISTANCE: 100MΩ MIN.
- MECHANICAL CHARACTERISTICS:
  - INSERTION FORCE: 2.5Kgf MAX.
  - WITHDRAWAL FORCE: 1.0~2.5Kgf(INITIAL).  
0.8~2.5Kgf(AFTER TEST).
- DURABILITY: 5,000 CYCLES.
- TO CONFORM TO SINGATRON HAZARDOUS SUBSTANCE FREE SPEC
- HALOGEN FREE IDENTIFICATION LABEL ON PACKAGING: 
- FOR IR RE-FLOW PROCESS
- DATE: YYMMDD
- PACKAGING: TAPE & REEL
- OTHER GENERAL SPEC. TO REFER "2UB4063-400101F SPEC"
- PACKAGE: SEE "2UB4063-400101F" PACKAGE.



Recommended P.C.B Layout (THICKNESS=1.2mm)  
(Component Side) TOLERANCE=±0.03; Top View



| Pin NO. | Signal Assignment |
|---------|-------------------|
| 1       | VBUS              |
| 2       | D-                |
| 3       | D+                |
| 4       | PGND              |
| D1      | DETECT PIN        |
| 5       | SSRX-             |
| 6       | SSRX+             |
| 7       | GND               |
| 8       | SSTX-             |
| 9       | SSTX+             |



| NO | DESCRIPTION | QTY | MATERIAL            | PLATING & COLOR  |
|----|-------------|-----|---------------------|--|
| H  | MYLAR       | 1   |                     | BLACK  |
| G  | INK         |     |                     | BLACK  |
| F  | TERMINAL    | 5   | C2680-H T=0.20mm    | GOLD FLASH ON MATING AREA, MATTE Sn 100u"Min ON SOLDERING AREA, 80u"Min NICKEL UNDER PLATING OVERALL |
| E  | TERMINAL    | 5   | C5210-EH T=0.20mm   |  |
| D  | COVER       | 1   | SUS304 T=0.15mm     |  |
| C  | SHELL       | 1   | SUS304 T=0.30mm     | BLACK NICKEL 60u"MIN   |
| B  | PLATE       | 1   | PA9T+45%G.F UL94V-0 | BLACK  |
| A  | BODY        | 1   | PA9T+45%G.F UL94V-0 | BLACK  |

|                                       |           |              |                          |
|---------------------------------------|-----------|--------------|--------------------------|
| UNLESS OTHERWISE SPECIFIED TOLERANCES |           | 信音科技(香港)有限公司 |                          |
| DECIMALS:                             | ANGLES:   | TITLE        | USB 3.0 RVERSE CONNECTOR |
| X : ±0.5                              | X : ±2°   | DWN          | EVEN 2022.08.17          |
| X.X : ±0.3                            | X.X : ±1° | CHKD         | SCALE 3.3:1 UNIT: mm     |
| X.XX : ±0.2                           |           | APVD         | ANGELA 2022.08.17        |
|                                       |           | SIZE:        | A3                       |
|                                       |           | SHEET:       | 1 OF 1                   |
|                                       |           | REV:         | B                        |
| CUSTOMER COPY                         |           |              |                          |