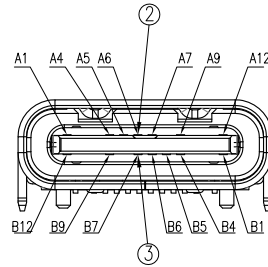
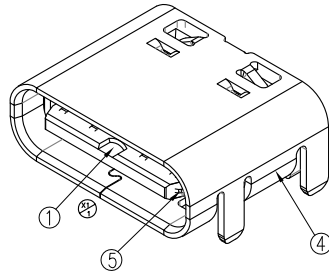
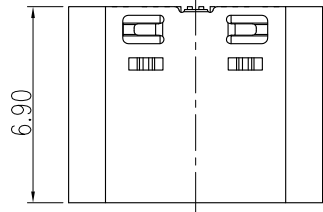
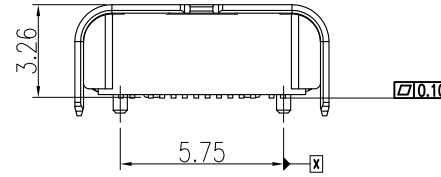
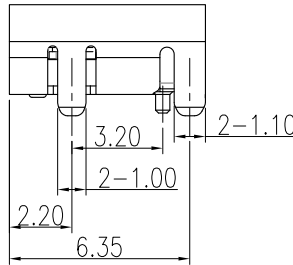
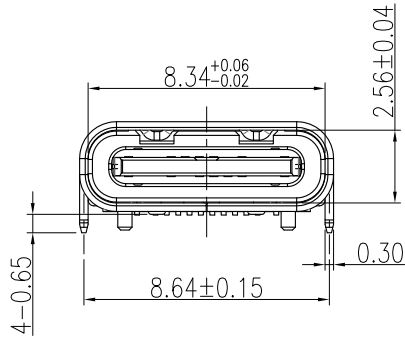


RoHS Compliant **Halogen Free**

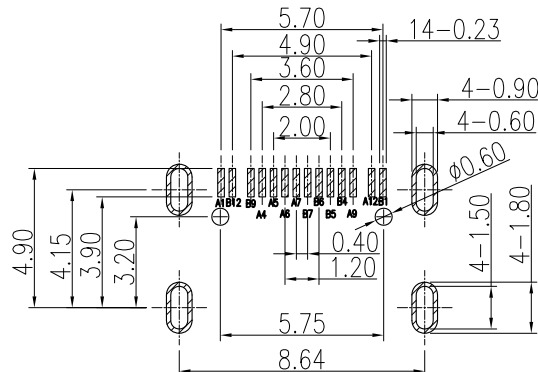
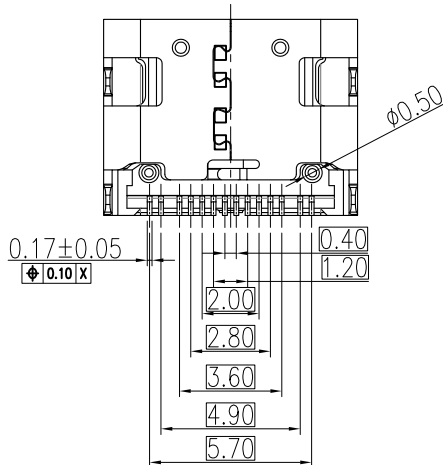


NOIIS.

1. MATERIAL: SEE "TABLE 1";
2. FINISH: SEE "TABLE 1";
3. ELECTRICAL:
 - 3.1. CURRENT RATING: 3A;
 - 3.2. INSULATION RESISTANCE :100 M Ω . MIN. AT 250VDC;
 - 3.3. DIELECTRIC WITHSTANDING VOLTAGE:100VAC MIN;
 - 3.4. CONTACT RESISTANCE : INITIAL 40m Ω MAX;
AFTER 50m Ω MAX;
4. MECHANICAL:
 - 4.1. MATING FORCE: 5~20N.
 - 4.2. UNMATING FORCE: 8~20N(INITIAL),6~20N(AFTER 10000 CYCLES);
 - 4.3. FREQUENCE:200 \pm 50 CYCLES/HOUR,10000 CYCLES.;
5. ENVIRONMENTAL:
 - 5.1. OPERATION: -40C~+80C.



A1	GND	B12	GND
A4	VBUS	B9	VBUS
A5	CC1		
A6	DP1	B7	DN2
A7	DN1	B6	DP2
		B5	CC2
A9	VBUS	B4	VBUS
A12	GND	B1	GND
PIN	SIGNAL NAME	PIN	SIGNAL NAME



RECOMMENDED P.C.B LAYOUT
TOP VIEW (TOLRANCE: \pm 0.05)

TABLE 2:(PART NO. LIST):

2UBC-0515-30000H	PLATING : Au 30u"
2UBC-0515-15000H	PLATING : Au 15u"
2UBC-0515-01000H	PLATING : Au 1u"
PART NO.	PLATING SPEC.

TABLE 1:

NO.	PART NAME	QTY	MATERIAL	DESCRIPTION	REMARK
⑤	MID PLATE	1	STAINLESS STEEL		T=0.15mm
④	SHELL	1	STAINLESS STEEL	Ni PLATING.	T=0.30mm
③	TERMINAL-B	1	铜镍合金	TABLE 2	T=0.12mm
②	TERMINAL-A	1	铜镍合金	TABLE 2	T=0.12mm
①	INSULATOR	1	HIGH TEMP	Black	

UNLESS OTHERWISE,
GENERAL TOLERANCE:

- X.xxx \pm 0.10
- X.xx \pm 0.20
- X.x \pm 0.30
- X. \pm 0.38

ANGULAR:

- X.xx \pm 1'
- X.x \pm 3'
- X. \pm 5'

Singatron Enterprise Co., Ltd.

TITLE	TYPE-C 14PIN板上高为3.26mm		
DWN	李翔 2019.03.05	PART NO.	2UBC-0515-xx000H
CHKD	殷芳祥 2019.03.05	SCALE 1:1	UNIT: mm
APVD	殷芳祥 2019.03.05	SIZE: A3	SHEET:1 OF 1

CUSTOMER COPY

JH2019-018	X2	钢片结构变更为不外漏	2019.03.06	李翔
JH2016-098	X1	随工程图上升版次	2017.07.22	Bin
20170315003	X	NEW DRAWING	2017.04.15	Bin
ECN NO.	REV.	DESCRIPTION	DATE	CHANGE