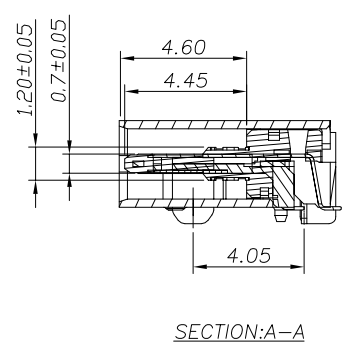
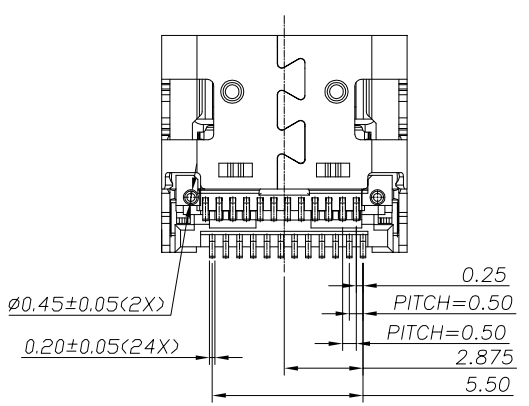
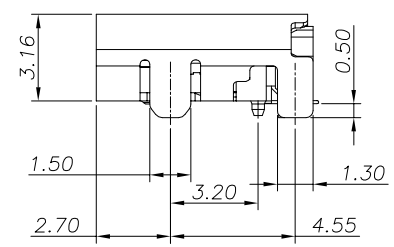
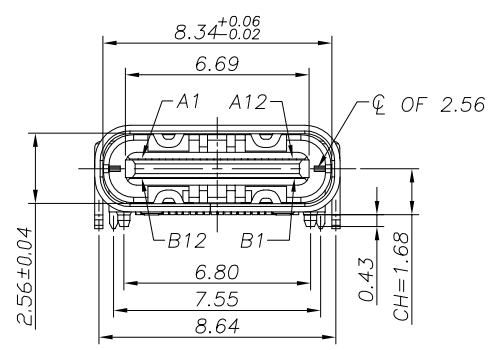
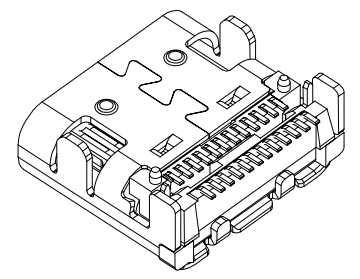
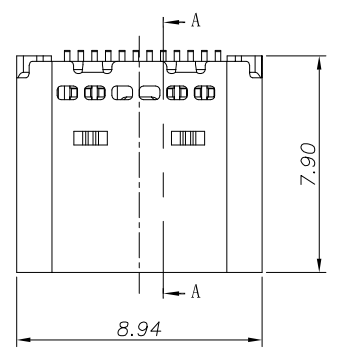


REV	ECN No.	DATE	REMARK
A		2018.07.25	NEW RELEASE



NOTE:

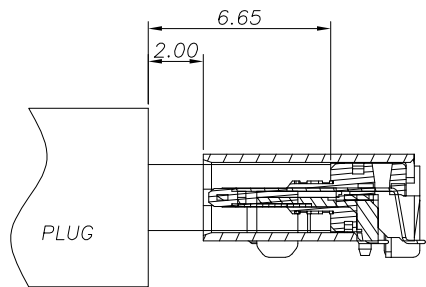
- MATERIAL SPECIFICATION:
  - HOUSING: HIGH TEMPERATURE RESISTANT PLASTIC, UL94 V-0.
  - CONTACTS: COPPER ALLOY
  - MID PLATE: STAINLESS STEEL
  - FRONT SHELL: STAINLESS STEEL
- PLATING SPECIFICATION:
  - CONTACTS:
    - Ni 50u" MIN. UNDER PLATED OVER ALL.
    - Au PLATED ON THE FUNCTIONAL AREA OF CONTACT.
    - (GOLD PLATING THICKNESS FOLLOW THE P/N)
    - PLATING SPECIFICATIONS OF THE SOLDER AREA FOLLOW THE P/N
  - FRONT SHELL:
    - Ni 30u" MIN. UNDER PLATED OVER ALL.
  - SHIELD PLATE & EMI PLATE:
    - CLEAR ONLY
- MECHANICAL PERFORMANCE,
  - INSERTION FORCE: 0.5~2.0kgf.
  - REMOVAL FORCE: 0.8kgf~2.0kgf.
  - DURABILITY: 10000 CYCLES.
- ELECTRICAL PERFORMANCE,
  - CURRENT RATING: 5.0A  
VOLTAGE RATING: 5.0V
  - LLCR:
    - VBUS & GND PINS AND OTHER PINS: 40mΩ/PIN MAX.
    - SHIELD: 50mΩ/MAX.
    - LLCR MAX. CHANGE OF ALL PINS: 10mΩ.
  - INSULATION RESISTANCE: 100MΩ MIN
  - DIELECTRIC WITHSTAND VOLTAGE, AC 100V FOR 1 MINUTE.
- ENVIRONMENTAL PERFORMANCE:
  - OPERATING TEMPERATURE: -25℃~+85℃.
- IR REFLOW:
  - THE PEAK TEMPERATURE ON THE BOARD SHALL BE MAINTAINED FOR 10 SECONDS AT 260°C.

QUALITY SYMBOL	GENERAL TOLERANCES (UNLESS SPECIFIED)
▽=0	x.xxxxx ±---
▽=0	x.xxx ±---
▽=0	x.xx ±0.25
▽=0	x.x ±0.30
▶	ANGULAR ±---

Singatron Enterprise Co., Ltd.			
TITLE	USB CF 24PIN SMT TYPE TOP MOUNT 双排双贴整体MOLDING		
DWN	SLF 2018/07/25	PART NO.	2UBCF006-1A1H1A1XX-0HR
CHKD	David 2018/07/25	SCALE 1:1	UNIT: mm
APVD	David 2018/07/25	SIZE: A3	SHEET: 1 OF 3
REV: A			
<b>CUSTOMER COPY</b>			



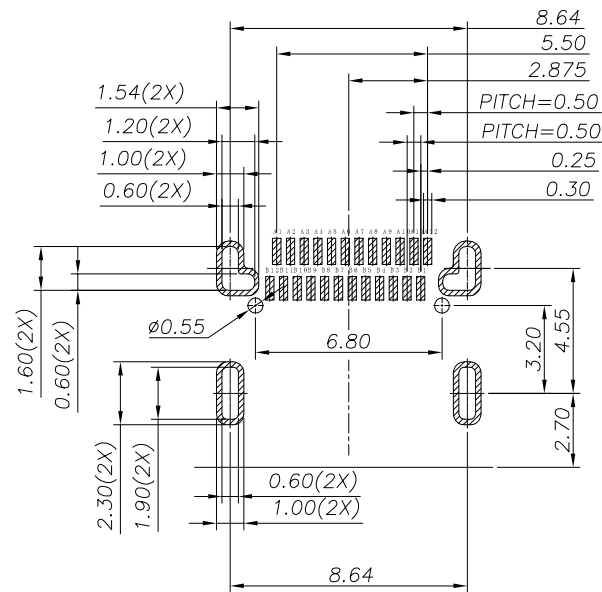
REV	ECN No.	DATE	REMARK
A		2018.07.25	NEW RELEASE



AFTER MATING

USB TYPE-C PIN ASSIGNMENTS

PIN NUMBER	SIGNAL NAME	PIN NUMBER	SIGNAL NAME
A1	GND	B12	GND
A4	VBUS	B9	VBUS
A5	CC1	B8	SBU2
A6	Dp1	B7	Dn2
A7	Dn1	B6	Dp2
A8	SBU1	B5	CC2
A9	VBUS	B4	VBUS
A12	GND	B1	GND



RECOMMENDED PCB LAYOUT(TOP VIEW)  
THICKNESS 0.60MM;DEFAULT TOLERANCE:±0.05

P/N: 2UBCF006-1A1H1A1XX-0HR

Housing Color:  
1:Black

Packing:  
R: TAPE REEL  
Contact Area Plating  
01: Au 1u"  
03: Au 3u"  
15: Au 15u"  
30: Au 30u"

QUALITY SYMBOL	GENERAL TOLERANCES (UNLESS SPECIFIED)
▽=0	x.xxxx ±---
▽=0	x.xxx ±---
▽=0	x.xx ±0.25
▽=0	x.x ±0.30
▲	ANGULAR ±---

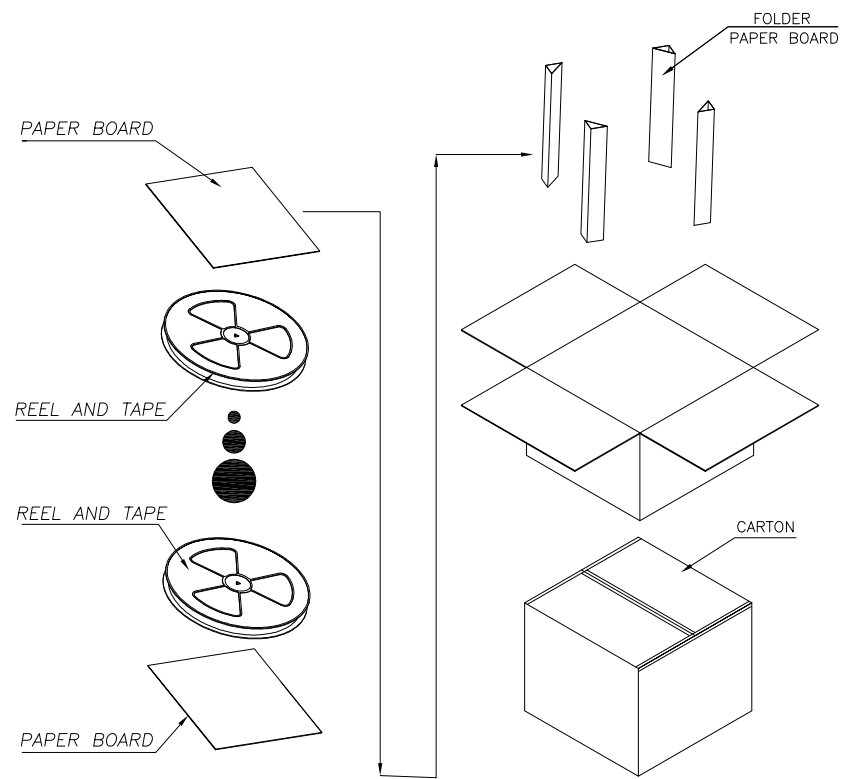
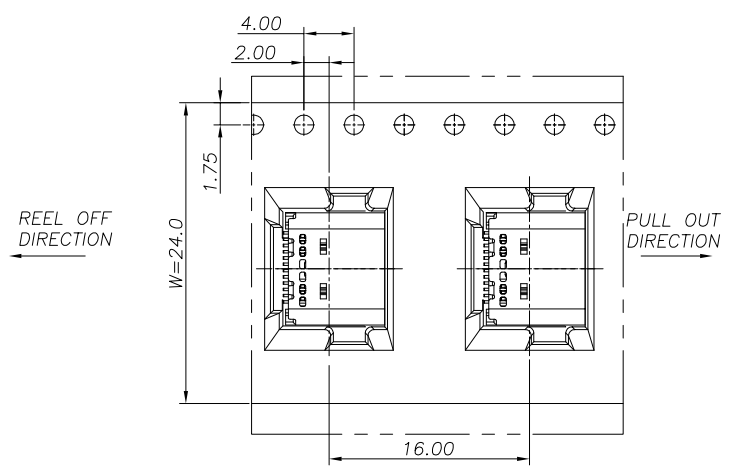
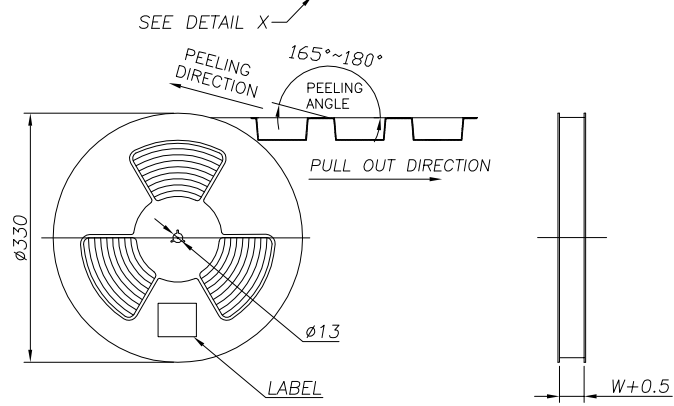
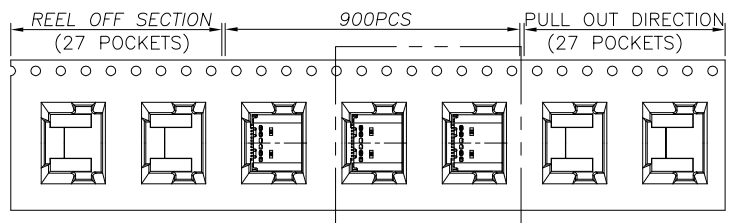
Singatron Enterprise Co., Ltd.

TITLE	USB CF 24PIN SMT TYPE TOP MOUNT 双排双贴整体MOLDING		
DWN	SLF 2018/07/25	PART NO. 2UBCF006-1A1H1A1XX-0HR	
CHKD	DJavid 2018/07/25	SCALE 1:1	UNIT: mm
APVD	DJavid 2018/07/25	SIZE: A3	SHEET: 2 OF 3
REV: A			

CUSTOMER COPY



REV	ECN No.	DATE	REMARK
A		2018.07.25	NEW RELEASE



	REEL	CARTON
CONNECTOR (PCS)	900	9000

QUALITY SYMBOL	GENERAL TOLERANCES (UNLESS SPECIFIED)
$\nabla=0$	x.xxxxx ± ---
$\nabla=1$	x.xxxx ± ---
$\nabla=2$	x.xx ± 0.25
$\nabla=3$	x.x ± 0.30
$\nabla=4$	ANGULAR ± ---°

Singatron Enterprise Co., Ltd.			
<b>TITLE</b>	USB CF 24PIN SMT TYPE TOP MOUNT 双排双贴整体MOLDING		
<b>DWN</b>	SLF 2018/07/25	<b>PART NO.</b> 2UBCF006-1A1H1A1XX-0HR	
<b>CHKD</b>	David 2018/07/25	<b>SCALE 1:1</b>	<b>UNIT: mm</b>
<b>APVD</b>	David 2018/07/25	<b>SIZE: A3</b>	<b>SHEET: 3 OF 3</b>
<b>REV: A</b>			
<b>CUSTOMER COPY</b>			