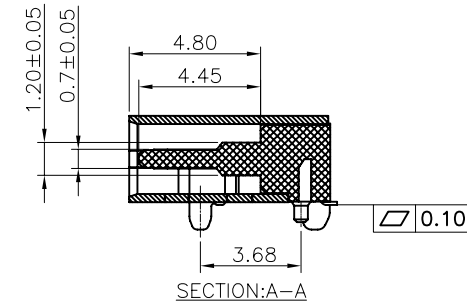
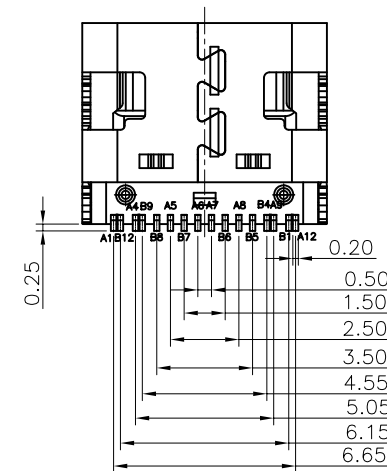
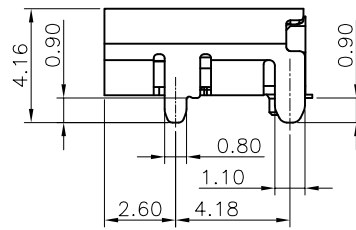
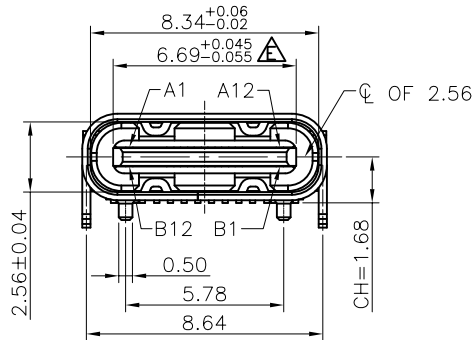
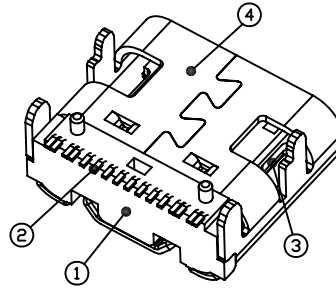
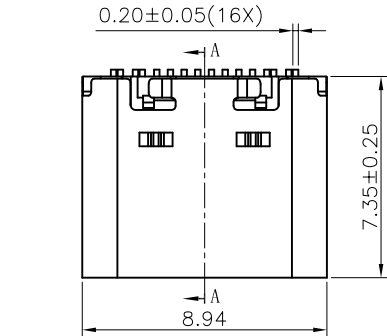


RoHS Compliant

REV	ECN No.	DATE	REMARK
A	NEW	2019.10.21	NEW RELEASE



NOTE: (备注)

- MATERIAL SPECIFICATION: (材料规格)**
 - HOUSING: HIGH TEMPERATURE RESISTANT PLASTIC, UL94 V-0. (塑胶: 耐高温塑料 UL94 V-0.)
 - CONTACTS: COPPER ALLOY (接触: 铜合金)
 - MID PLATE: STAINLESS STEEL (中夹片: 不锈钢)
 - FRONT SHELL: STAINLESS STEEL (前壳: 不锈钢)
- PLATING SPECIFICATION: (电镀规格)**
 - CONTACTS: (接触)
 - Ni 50u" MIN. UNDER PLATED OVER ALL. (镍底50u"最小)
 - Au PLATED ON THE FUNCTIONAL AREA OF CONTACT. (接触功能区镀金)
 - (GOLD PLATING THICKNESS FOLLOW THE P/N) (镀金厚度随料号)
 - PLATING SPECIFICATIONS OF THE SOLDER AREA FOLLOW THE P/N (焊点的电镀规格与料号有关)
 - FRONT SHELL: (前壳)
 - Ni 30u" MIN. UNDER PLATED OVER ALL. (镍底30u"最小)
 - SHIELD PLATE & EMI PLATE: (防护电镀 & EMI电镀)
 - CLEAR ONLY (只清洁)
- MECHANICAL PERFORMANCE: (机械性能)**
 - INSERTION FORCE: 0.5~2.0kgf. (插入力: 0.5~2.0kgf)
 - EXTRACTION FORCE: 0.8kgf~2.0kgf或出力: 0.8kgf~2.0kgf
 - DURABILITY: 10000 CYCLES. (耐久10000次)
- ELECTRICAL PERFORMANCE: (电气性能)**
 - CURRENT RATING: 5.0A (额定电流: 5.0A)
VOLTAGE RATING: 5.0V (额定电压: 5.0V)
 - LLCR: (接触电阻)
 - VBUS & GND PINS AND OTHER PINS: 40mΩ/PIN MAX. (电源PIN & 接地PIN和其它PIN 40mΩ/PIN 最大)
 - SHIELD: 50mΩ/MAX. (防护50mΩ/PIN 最大)
 - LLCR MAX. CHANGE OF ALL PINS: 10mΩ. (接触电阻最大变化在10mΩ/PIN内)
 - INSULATION RESISTANCE: 100MΩ MIN (绝缘阻抗: 100MΩ最小)
 - DIELECTRIC WITHSTAND VOLTAGE, AC 100V FOR 1 MINUTE. (耐电压: AC 100V 1分钟)
- ENVIRONMENTAL PERFORMANCE: (环境性能)**
 - OPERATING TEMPERATURE: -25°C~+85°C. (工作温度-25°C~+85°C)
- IR REFLOW: (IR 回流焊)**
 - THE PEAK TEMPERATURE ON THE BOARD SHALL BE MAINTAINED FOR 10 SECONDS AT 260°C. (在260摄氏度的时候保持10秒)

TABLE 1

ITEM	P/N (料号)	HOUSING (塑胶)	FUNCTIONAL AREA OF CONTACT (功能接触区)	SOLDER AREA OF CONTACT (焊接区)	SHELL PLATING (外壳电镀)
1	2UBCF044SLB12R-A-02	LCP_BLACK 编号1814	Au:3u"	Au:1u"	Ni:50u" 盐雾24H

QUALITY SYMBOL	GENERAL TOLERANCES (UNLESS SPECIFIED)
	x.xxxxx ± 0.05
	x.xxxx ± 0.10
	x.xx ± 0.25
	x.x ± 0.30
	ANGULAR ± ---°

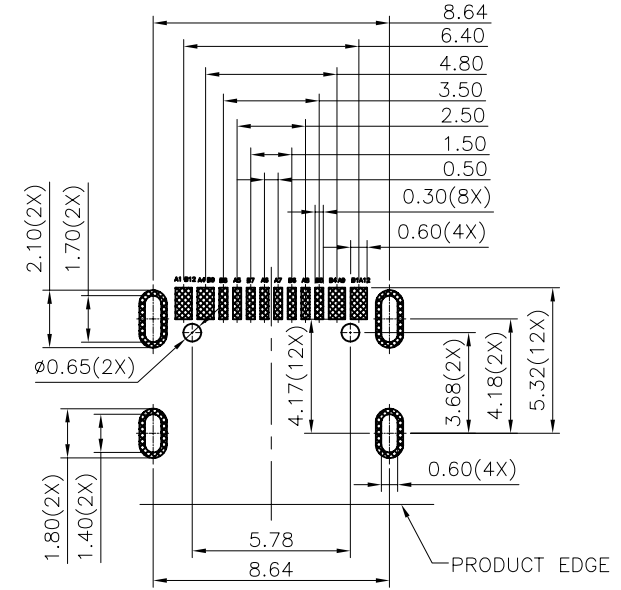
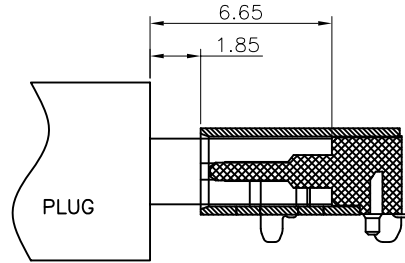
Singatron Enterprise Co., Ltd.

TITLE	USB CF 16PIN (L=7.35) WITH POST 一体式成型			
DWN	SAM 2019.10.21	PART NO. 2UBCF044SLB12R-A-02		
CHKD	JAY	SCALE 1:1	UNIT: mm	
APVD	JACKY	SIZE: A3	SHEET: 1 OF 3	REV: A

CUSTOMER COPY

RoHS Compliant 

REV	ECN No.	DATE	REMARK
A	NEW	2019.10.21	NEW RELEASE



RECOMMENDED PCB LAYOUT(TOP VIEW)
THICKNESS 0.80MM;DEFAULT TOLERANCE:±0.05

USB TYPE-C PIN ASSIGNMENTS

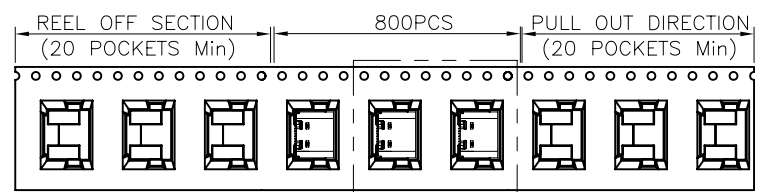
PIN NUMBER	SIGNAL NAME	PIN NUMBER	SIGNAL NAME
A1	GND	B12	GND
A4	VBUS	B9	VBUS
A5	CC1	B8	SBU2
A6	Dp1	B7	Dn2
A7	Dn1	B6	Dp2
A8	SBU1	B5	CC2
A9	VBUS	B4	VBUS
A12	GND	B1	GND

QUALITY SYMBOL ▽=0 ▽=0 ▽=0 ▽=0 ▽=0	GENERAL TOLERANCES (UNLESS SPECIFIED)	
	x.xxxx	± ---
	x.xxx	± 0.10
	x.xx	± 0.25
	x.x	± 0.30
ANGULAR	± ---°	

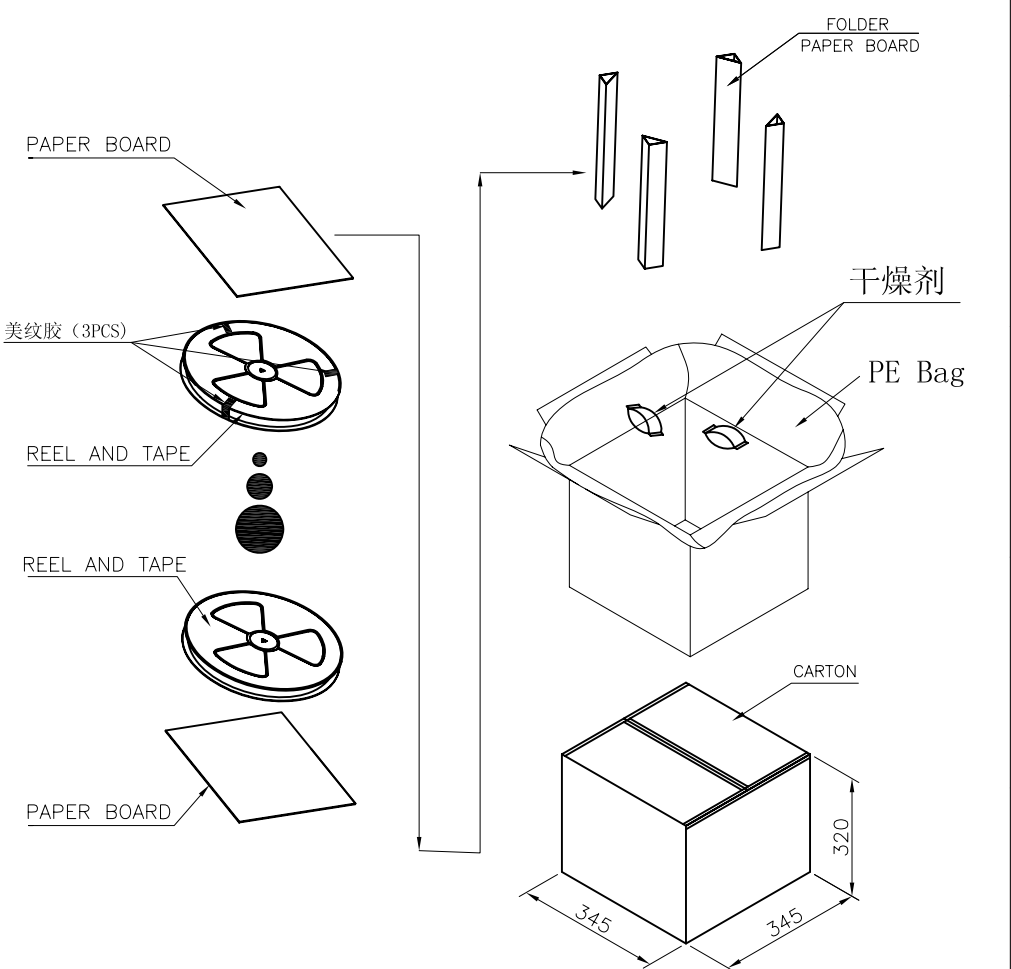
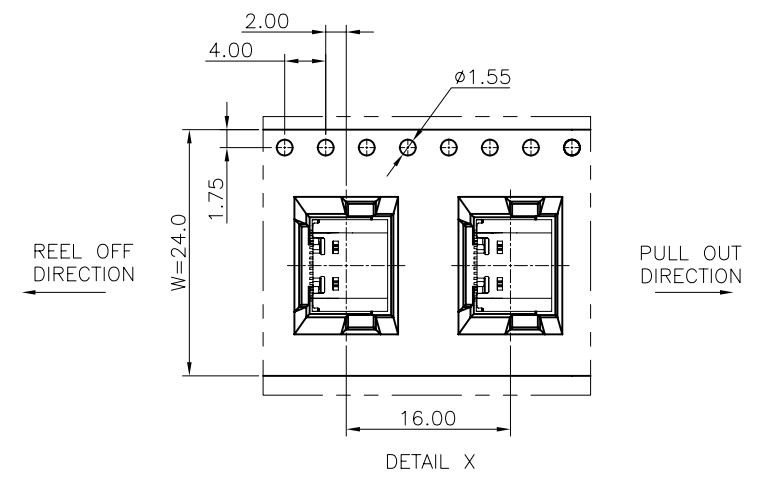
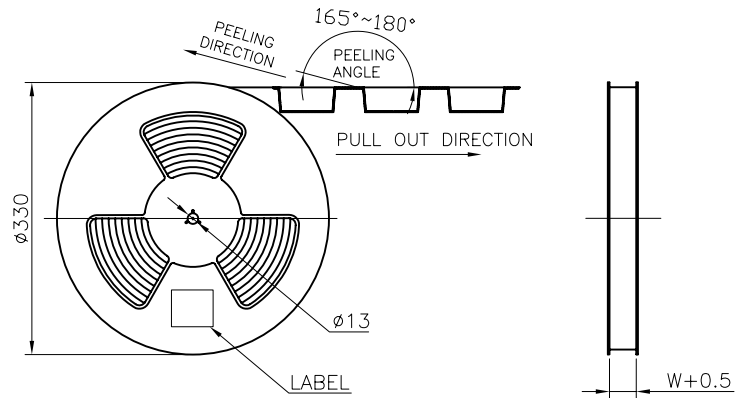
Singatron Enterprise Co., Ltd.			
TITLE	USB CF 16PIN (L=7.35)WITH POST 一体式成型		
DWN	SAM 2019.10.21	PART NO.2UBCF044SLB12R-A-02	
CHKD	JAY	SCALE 1:1	UNIT: mm
APVD	JACKY	SIZE: A3	SHEET: 2 OF 3
		REV: A	
CUSTOMER COPY			

RoHS Compliant

REV	ECN No.	DATE	REMARK
A	NEW	2019.10.21	NEW RELEASE



SEE DETAIL X



	REEL	CARTON
CONNECTOR (PCS)	800	8000

QUALITY SYMBOL	GENERAL TOLERANCES (UNLESS SPECIFIED)
$\nabla = 0$	x.xxxxx \pm ---
$\nabla = 0$	x.xxxx \pm 0.10
$\nabla = 0$	x.xx \pm 0.25
$\nabla = 0$	x.x \pm 0.30
$\nabla = 0$	ANGULAR \pm ---°

Singatron Enterprise Co., Ltd.				
TITLE	USB CF 16PIN (L=7.35)WITH POST 一体式成型			
DWN	SAM 2019.10.21	PART NO.	2UBCF044SLB12R-A-02	
CHKD	JAY	SCALE 1:1	UNIT: mm	
APVD	JACKY	SIZE: A3	SHEET: 3 OF 3	REV: A
CUSTOMER COPY				