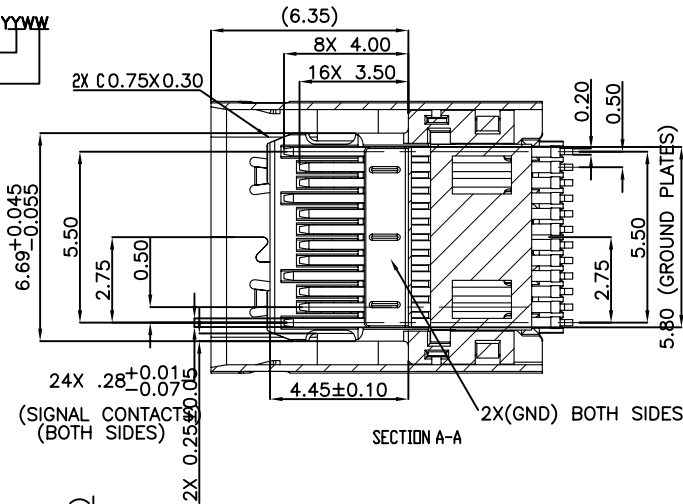
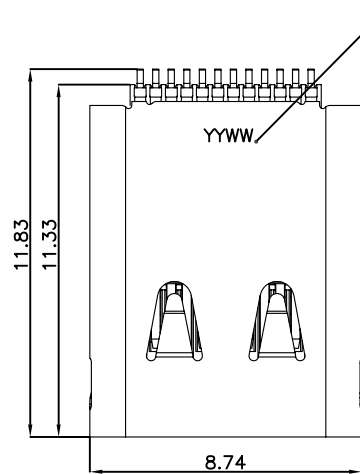


RoHS Compliant

REV	ECN No.	DATE	REMARK
A	NEW	2015.05.10	NEW RELEASE

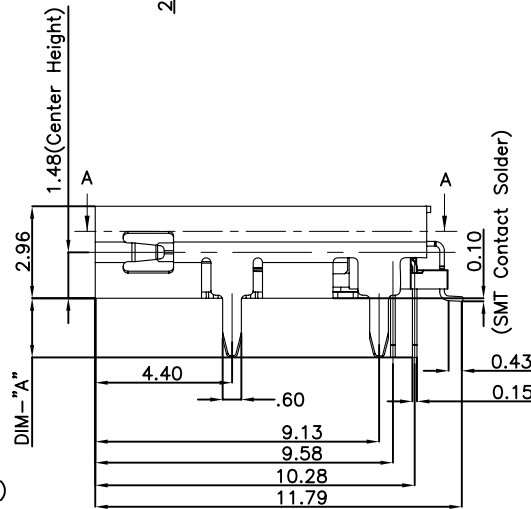
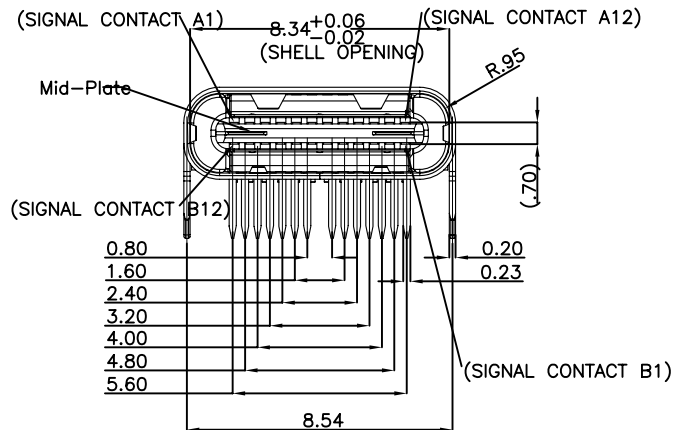


SPECIFICATION
MATERIAL
 Insulator: Thermoplastic, Black
 Contacts: BRASS
 Shell: Stainless Steel
CONTACT PLATING
 Underplate: 40u"~80u" Nickel
 Contact area: 30u" Pd-Ni+2u" Selective gold.
 Solder tails area: 100u"~200u" Tin (Lead Free)
ELECTRICAL
 Operation voltage: 20 V
 Current rating: 5 Amps max.
 Insulation resistance: 100 Mohms min @ 100 VDC
 Dielectric withstanding voltage: 100 VAC / minute
 Temperature range: -40°C to +105°C
 Mating cycles: 10,000 insertions

Part no.
 2UBCF229-24S L B XX R-X - 55
 (1) (2) (3)

- (1) HOUSING COLOR:
B: BLACK
- (2) CONTACTS PLATED:
01: 半金錫1u"
- (3) DIM -"A"

DIM-A	1	2
	PCB 1.0mm 1.50mm	PCB 1.6mm 1.90mm



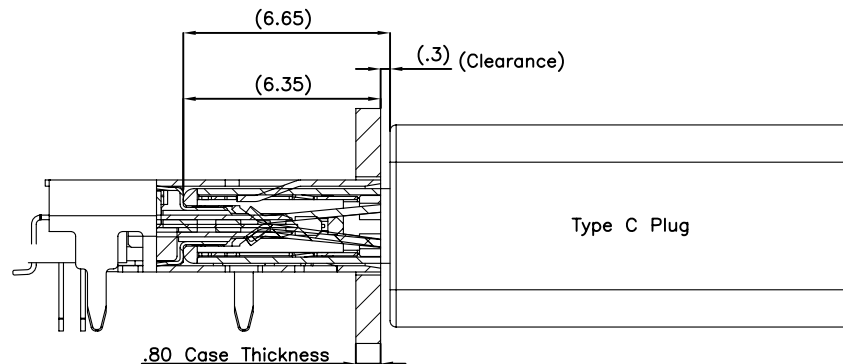
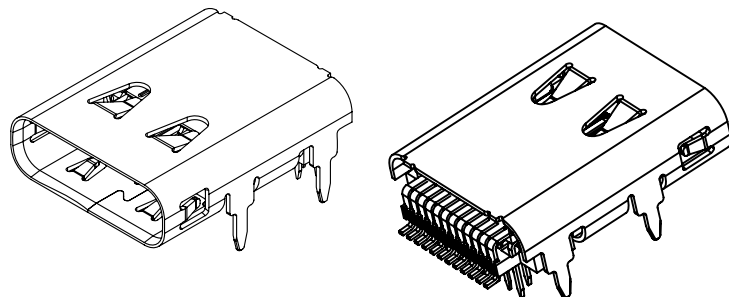
QUALITY SYMBOL	GENERAL TOLERANCES (UNLESS SPECIFIED)	
	x.xxxxx	± ---
	x.xxx	± 0.10
	x.xx	± 0.25
	x.x	± 0.30
ANGULAR	± ---	

Singatron Enterprise Co., Ltd.

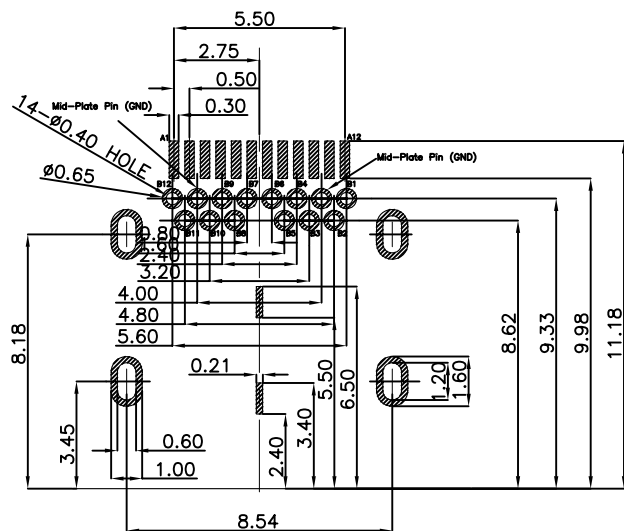
TITLE	USB TYPE C Receptacle (W/O Rear Cover Type) (Insertion distance 6.20mm)			
DWN	SAM 2015.05.10	PART NO. 2UBCF229-24SLB01R-x-55		
CHKD	JAY	SCALE 1:1	UNIT: mm	
APVD	JACKY	SIZE: A3	SHEET: 1 OF 2	REV: A
CUSTOMER COPY				

RoHS Compliant

REV	ECN No.	DATE	REMARK
A	NEW	2015.05.10	NEW RELEASE



PLUG FULLY SEATED IN RECEPTACLE



Recomanded PCB LAYOUT
 TOLANCB0.05
 PCB Tinkness = 1.0 For 1.50 Solder tail
 1.6 For 1.90 Solder tail

USB TYPE -C Pin Assignments

Pin Number	Signal Name	Pin Number	Signal Name
A1	GND	B12	GND
A2	SSTXp1	B11	SSRXp1
A3	SSTXn1	B10	SSRXn1
A4	VBUS	B9	VBUS
A5	CC1	B8	SBU2
A6	Dp1	B7	Dn2
A7	Dn1	B6	Dp2
A8	SBU1	B5	CC2
A9	VBUS	B4	VBUS
A10	SSRXn2	B3	SSTXn2
A11	SSRXp2	B2	SSTXp2
A12	GND	B1	GND

Singatron Enterprise Co., Ltd.

QUALITY SYMBOL	GENERAL TOLERANCES (UNLESS SPECIFIED)	
	x.xxxxx	± ---
	x.xxx	± 0.10
	x.xx	± 0.25
	x.x	± 0.30
▲	ANGULAR	± ---°

TITLE	USB TYPE C Receptacle (W/O Rear Cover Type) (Insertion distance 6.20mm)		
DWN	SAM 2015.05.10	PART NO. 2UBCF229-24SLB01R-x-55	
CHKD	JAY	SCALE 1:1	UNIT: mm
APVD	JACKY	SIZE: A3	SHEET: 2 OF 2 REV: A
CUSTOMER COPY			