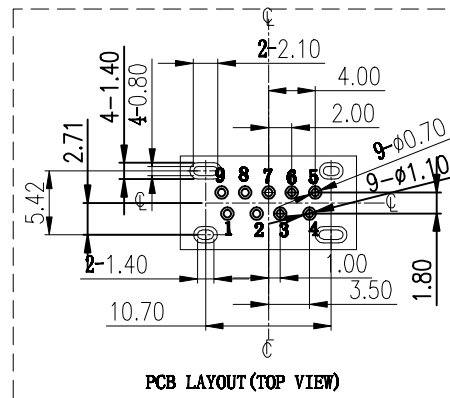
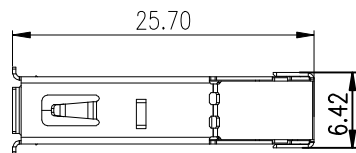
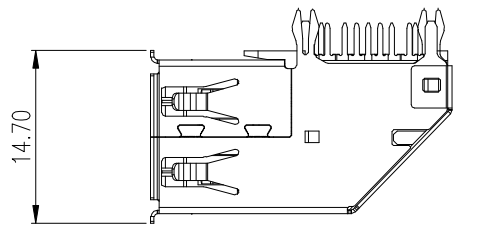
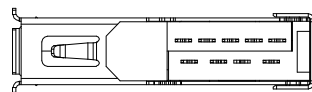
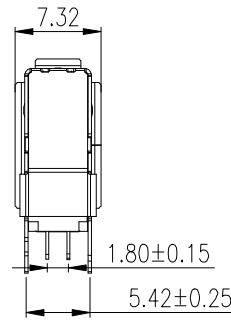
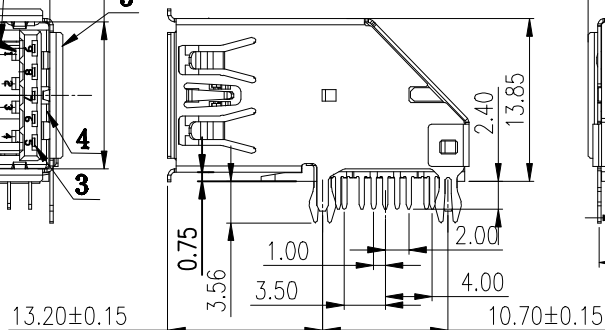
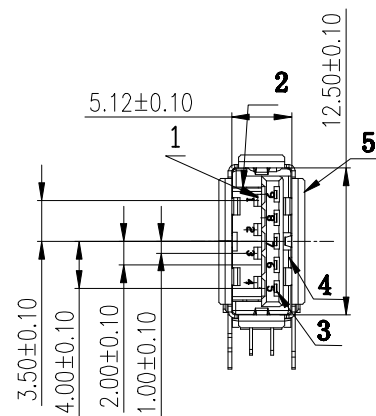




REV	ECN No.	DATE	REMARK
A		2018.08.16	NEW RELEASE



SPECIFICATIONS:
 Contact current Rating:
 1.8 Amperes for pin1&pin4.
 0.25 Amperes other contacts
 Dielectric Withstanding Voltage:AC 100V(RMS)
 Insulation resistance:100Megohms Minimum.
 Contact Resistance:
 30mΩ Max for pin1&pin4
 50mΩ Max for other contacts
Mechanical Characteristics:
 Mating Force:35 Newtons.Maximum
 Unmating Force:10 Newtons.Minimum.
 8N Min After Durability
MATERIAL:
 Housing: PBT+30%GF 94V-0 COLOR:BLUE
 Contact: copper alloy(T=0.25mm)
 Shell: SUS
PLATING:
 Contact: Au Plated on contact area
 Tin Plated on solder area
 Nickel underplating over all
 Shell: Nickel Plated
 operating Temperature:-55'to+85'



Pin Number	Signal Name	Pin Number	Signal Name
1	VBUS	5	SSRX-
2	D-	6	SSRX+
3	D+	7	GND
4	GND	8	SSTX-
Shell	Shield	9	SSRT+

ITEM	PART NAME	Material	Q'TY	REMARK
1	4P Semi-	Housing LCP	1	Black &Blue UL94V-0
2	manufactured Goods	Contact COPPER ALLOY	4	T=0.25 Plating Gild/Tin
3	5P Semi-	Housing LCP	1	Black &Blue UL94V-0
4	manufactured Goods	Contact COPPER ALLOY	5	T=0.25 Plating Gild/Tin
5	Shell	SUS304-1/2H	1	T=0.3

QUALITY SYMBOL	GENERAL TOLERANCES (UNLESS SPECIFIED)
0	x.xxxx ± ---
1	x.xxx ± ---
2	x.xx ± 0.25
3	x.x ± 0.30
ANGULAR	± ---'

Singatron Enterprise Co., Ltd.			
TITLE	USB 3.0 A F 侧插90度		
DWN	S.F. 2018/08/16	PART NO. 2UBF01-120200-0970	
CHKD	Doyle 2018/08/16	SCALE 1:1	UNIT: mm
APVD	Doyle 2018/08/16	SIZE: A3	SHEET:1 OF 1
			REV: A
CUSTOMER COPY			