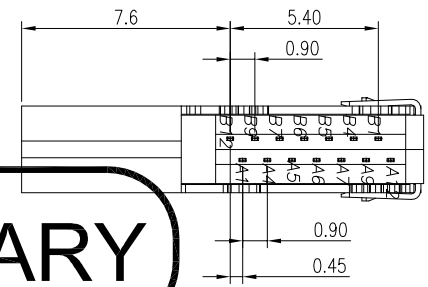
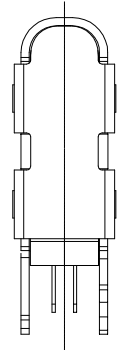
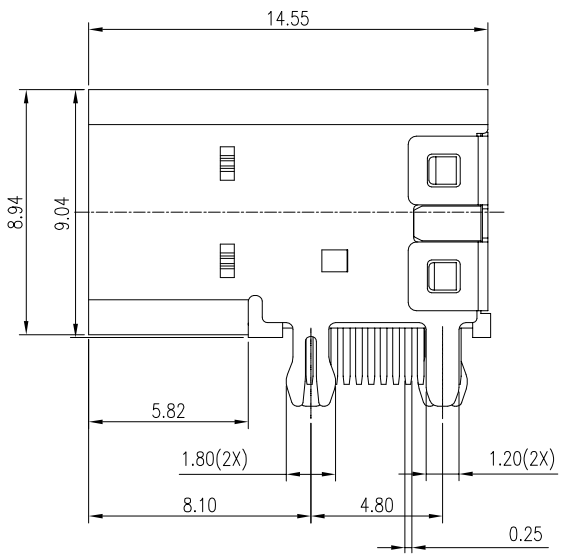
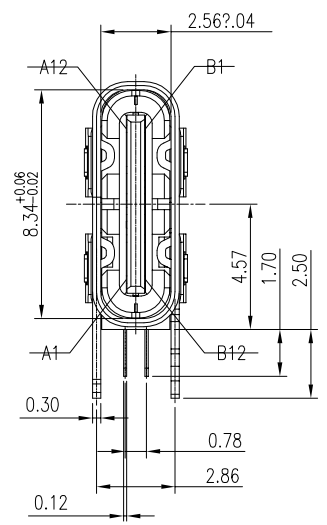
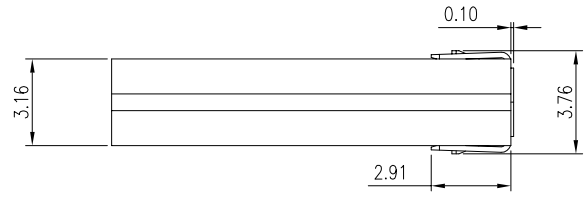


REV	ECN No.	DATE	REMARK
A		2018.08.17	NEW RELEASE
A1		2019.01.11	ADD NOTE



PRELIMINARY

NOTE:

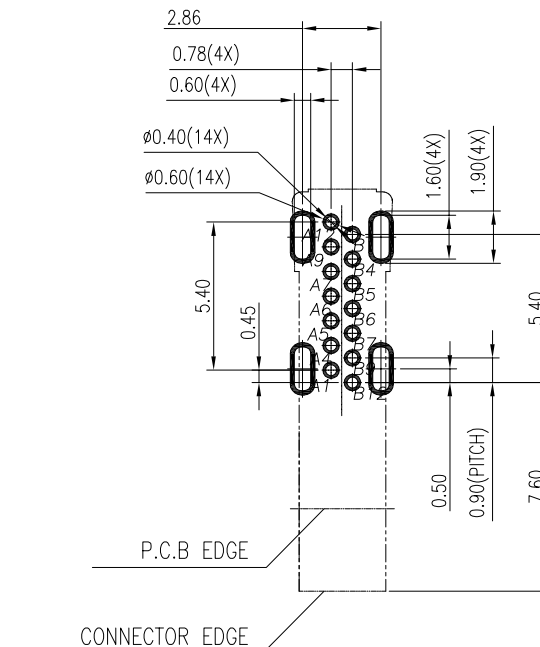
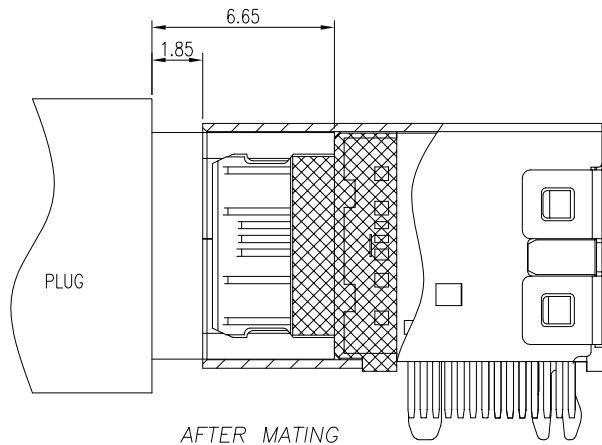
- MATERIAL SPECIFICATION:
 - HOUSING: LCP, UL94 V-0.
 - CONTACTS: COPPER ALLOY(C1814)
 - MID PLATE: STAINLESS STEEL(SUS301)
 - FRONT SHELL: STAINLESS STEEL(SUS304)
 - EMI PLATE: STAINLESS STEEL(SUS304)
- PLATING SPECIFICATION:
 - CONTACTS:
 - Ni 50u" MIN. UNDER PLATED OVER ALL.
 - Au PLATED ON THE FUNCTIONAL AREA OF CONTACT.
 - (GOLD PLATING THICKNESS FOLLOW THE P/N)
 - PLATING SPECIFICATIONS OF THE SOLDER AREA FOLLOW THE P/N
 - FRONT SHELL:
 - Ni 30u" MIN. UNDER PLATED OVER ALL.
 - MID PLATE&EMI PLATE:
 - CLEAR ONLY
- MECHANICAL PERFORMANCE,
 - INSERTION FORCE: 0.5~2.0kgf.
 - REMOVAL FORCE: 0.8kgf~2.0kgf.
 - DURABILITY: 10000 CYCLES.
- ELECTRICAL PERFORMANCE,
 - CURRENT RATING: 5.0A MAX. for VBUS(A4,A9,B4,B9)
1.25A MAX. for Vconn PIN(B5 of plug)
WITH RETURN PATH THROUGH THE CORRESPONDING GND PIN (A1,A12,B1,B12), 0.25A MAX. for ALL OTHER PIN
VOLTAGE RATING: 20V/5A
 - LLCR:
 - VBUS & GND PINS AND OTHER PINS: 40mΩ/PIN MAX.
 - SHIELD: 50mΩ/MAX.
 - LLCR MAX. CHANGE OF ALL PINS: 10mΩ.
 - INSULATION RESISTANCE: 100MΩ MIN
 - DIELECTRIC WITHSTAND VOLTAGE, AC 100V FOR 1 MINUTE.
- ENVIRONMENTAL PERFORMANCE:
 - OPERATING TEMPERATURE: -25°C~+85°C.
- IR REFLOW:
 - THE PEAK TEMPERATURE ON THE BOARD SHALL BE MAINTAINED FOR 10 SECONDS AT 260°C.

QUALITY SYMBOL	GENERAL TOLERANCES (UNLESS SPECIFIED)
▽=0	x.xxxxx ± ---
▽=0	x.xxx ± ---
▽=0	x.xx ± 0.25
▽=0	x.x ± 0.30
▽=0	ANGULAR ± --°

Singatron Enterprise Co., Ltd.			
TITLE	USB TYPE-C 側插14PIN		
DWN	2018/08/17	PART NO.	2UBF04-121211-103T
CHKD	2018/08/17	SCALE 1:1	UNIT: mm
APVD	2018/08/17	SIZE: A3	SHEET: 1 OF 1 REV: A1
CUSTOMER COPY			



REV	ECN No.	DATE	REMARK
A		2018.08.17	NEW RELEASE
A1		2019.01.11	ADD NOTE



RECOMMENDED PCB LAYOUT(TOP VIEW)
THICKNESS 1.6±0.10MM;DEFAULT TOLERANCE:±0.05

PRELIMINARY

USB TYPE-C PIN ASSIGNMENTS

PIN NUMBER	SIGNAL NAME	PIN NUMBER	SIGNAL NAME
A1	GND	B12	GND
A4	VBUS	B9	VBUS
A5	CC1		
A6	Dp1	B7	Dn2
A7	Dn1	B6	Dp2
		B5	CC2
A9	VBUS	B4	VBUS
A12	GND	B1	GND

TABLE 1

ITEM	P/N	HOUSING COLOR	FUNCTIONAL AREA	SOLDER AREA
1	2UBF04-121211-103T	BLACK	Au:3u"	Au:G/F

QUALITY SYMBOL	GENERAL TOLERANCES (UNLESS SPECIFIED)
0	x.xxxxx ± ---
0	x.xxx ± ---
0	x.xx ± 0.25
0	x.x ± 0.30
0	ANGULAR ± --°

Singatron Enterprise Co., Ltd.			
TITLE	USB TYPE-C 侧插14PIN		
DWN	2018/08/17	PART NO.	2UBF04-121211-103T
CHKD	2018/08/17	SCALE 1:1	UNIT: mm
APVD	2018/08/17	SIZE: A3	SHEET:1 OF 1
		REV: A1	
CUSTOMER COPY			