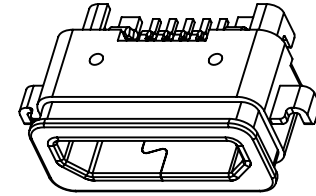
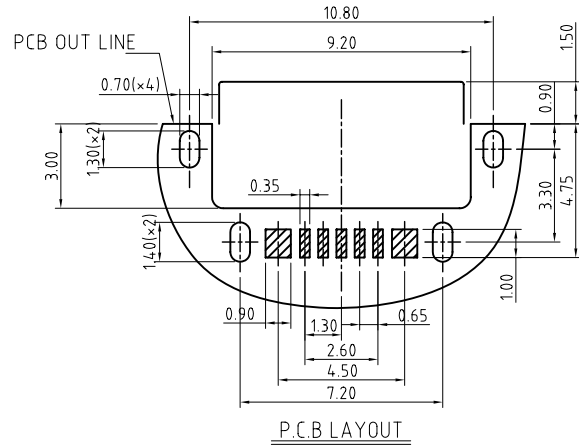
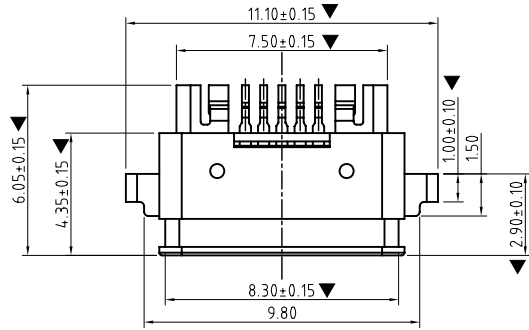


SYM	ECN NO.	DESCRIPTION	DATE	APP'D
A	N/A	NEW	2015.11.16	Jay



Notes:

1. Dimension shall be interpreted per ASME Y14.5M1994.
2. Dimension marked  $\nabla$  &  $\blacktriangledown$  should be checked by Q.C. and process, engineers and  $\nabla$  should also check the CPK data.

Specification:

1. Current Rating: 1.0 AMP
2. Voltage Rating: 30V AC,DC
3. Dielectric Strength: 500V AC RMS for 1 minute.
4. Contact Resistance: 30 mΩ Max.
5. Insulator Resistance: 500MΩ Min. AT 250V DC.
6. Mating/Unmating cycles: 5000cycles
7. Temperature: -20°C to +60°C
8. 防水等级IP66

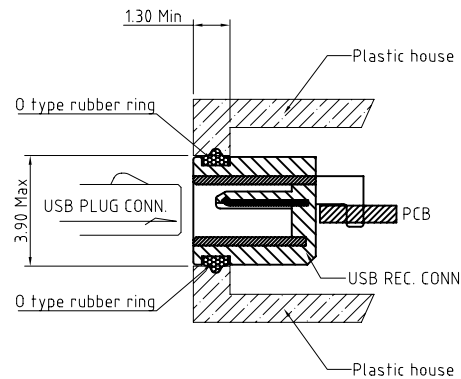
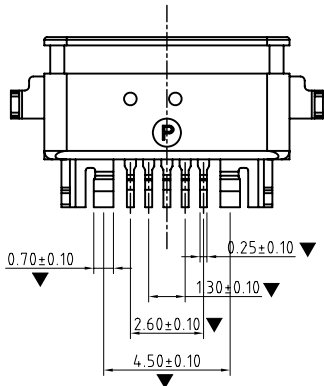
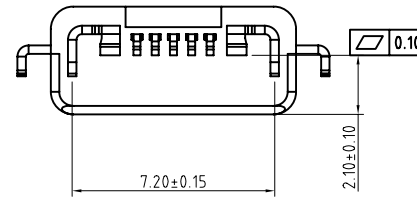
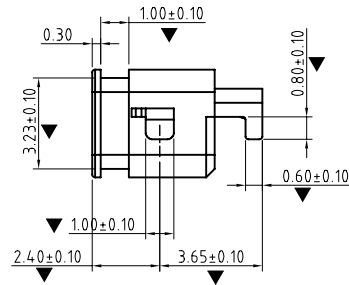
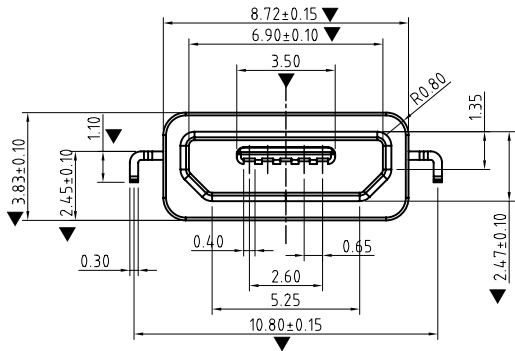


TABLE:

2UBMF056SLB11R-A-64	3	Shell	1	SUS304R-1/2H Tin 60-120u"/Ni 30-70u" Plating T=0.30mm	
	2	Contact	5	Phosphor bronze C5210R-EH T=0.20mm Au 1u"/Ni Plating	
	1	Housing	1	LCP (G.F30%) Black	
PART NO.	ITEM	PART NAME	Q'TY	FINISH	NOTE

QUALITY SYMBOL	$\nabla=0$	GENERAL TOLERANCES (UNLESS SPECIFIED)
	x.xxxxx	± ---
	x.xxx	± 0.15
	x.xx	± 0.25
	x.x	± 0.30
$\blacktriangledown$	ANGULAR	± ---

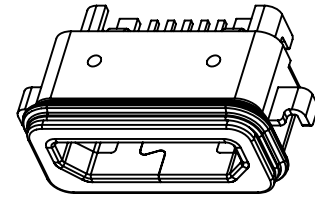
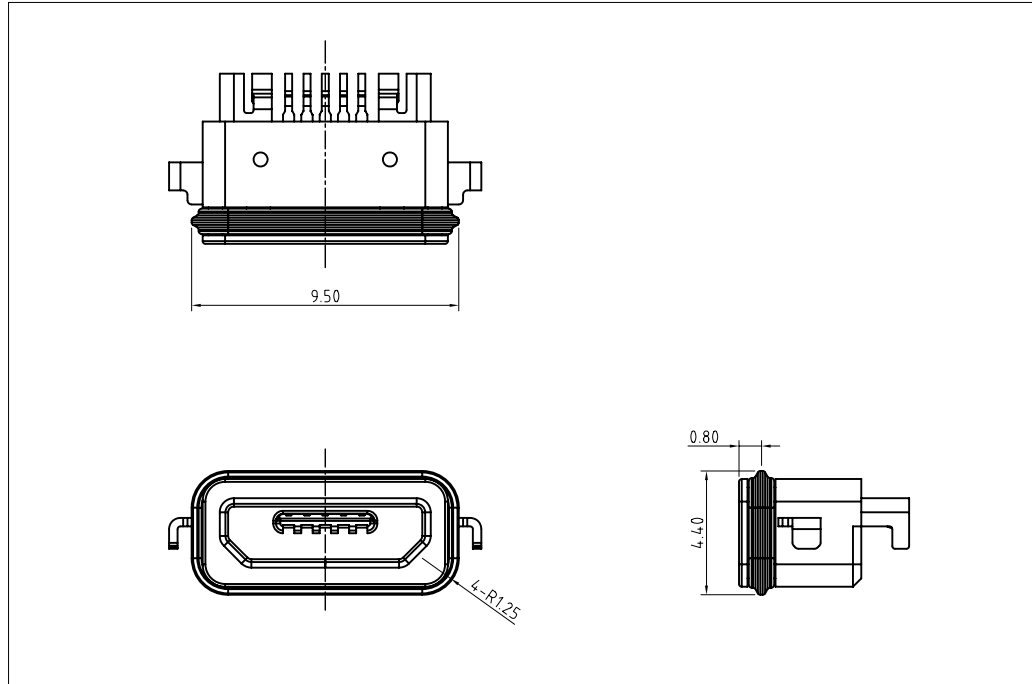
Singatron Enterprise Co., Ltd.

TITLE	Micro USB 5Pin SMT Type (B Type 沉板平口防水型)			
DWN	LIMING	PART NO. 2UBMF056SLB11R-A-64		
CHKD	JAY	SCALE 1:1	UNIT: mm	
APVD	ALLEN	SIZE: A3	SHEET: 1 OF 2	REV: A
CUSTOMER COPY				

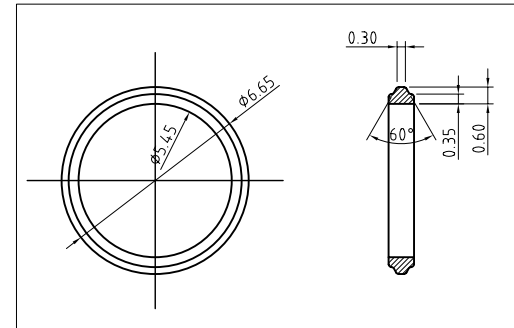
1 2 3 4 5 6 7 8

SYM	ECN NO.	DESCRIPTION	DATE	APP'D
A	N/A	NEW	2015.11.16	Jay

组装防水圈示意图



防水圈尺寸图



Singatron Enterprise Co., Ltd.

QUALITY SYMBOL	GENERAL TOLERANCES (UNLESS SPECIFIED)
$\nabla=0$	x.xxxx ± ---
$\nabla=0$	x.xxx ± 0.15
$\nabla=0$	x.xx ± 0.25
$\nabla=0$	x.x ± 0.30
$\nabla=0$	ANGULAR ± ---°

TITLE	Micro USB 5Pin SMT Type (B Type沉板平口防水型)			
DWN	LIMING	PART NO. 2UBMF056SLB11R-A-64		
CHKD	JAY	SCALE 1:1	UNIT: mm	$\text{Ⓢ}$
APVD	ALLEN	SIZE: A3	SHEET: 2 OF 2	REV: A

CUSTOMER COPY

1 2 3 4 5 6 7 8