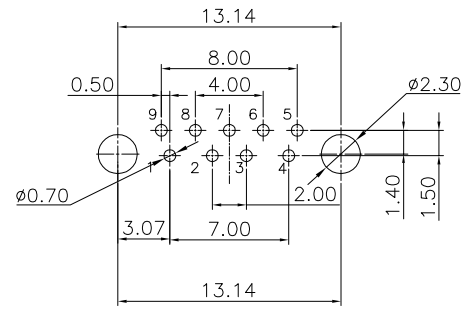
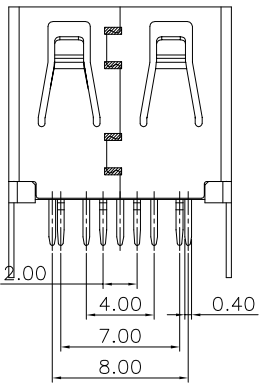
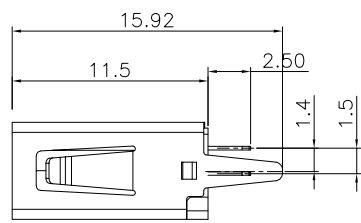
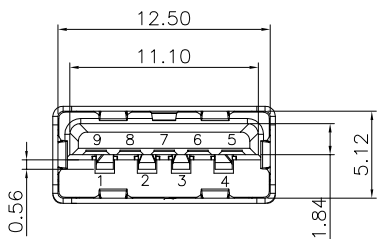
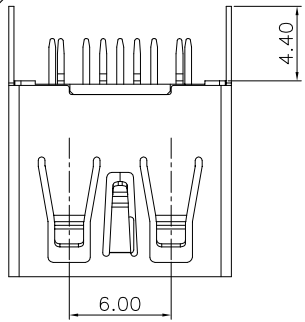


REV	ECN No.	DATE	REMARK
A		2017.08.11	NEW RELEASE



NOTES:

- 1.MATERIAL:
 - 1.1 HOUSING: HIGH TEMPERATURE THERAL PLASTIC.
 - 1.2 SPRING CONTACT: COPPER ALLOY.
 - 1.3 FLAT CONTACT;COPPER ALLOY
 - 1.4 SHELL :COPPER ALLOY.
 - 1.5 COVER:HIGH TEMPERATURE THERAL PLASTIC.
- 2.FINISH:
 - 2.1 CONTACT: (SEE P/N.),[50 μ] MIN. NICKEL UNDERPLATING OVER ALL.
 - 2.2 SHELL: [50 μ] MIN.SOLDERABILITY NICKEL UNDERPLATING OVER ALL.
- 3.PART NUMBER DESCRIPTION :

2UBF-C035- L 09 W1 - X

PACKING:
R-TAPE REEL
T-TRAY
E-TUBE

HOUSING COLOR:
B-BLACK
L-BLUE

PLATING:
W1-[1 μ]GOLD CONTACT AREA
[100 μ]TIN SOLDER AREA
W2-[5 μ]GOLD CONTACT AREA
[100 μ]TIN SOLDER AREA

PIN NO.	PIN 1	PIN 2	PIN 3	PIN 4
SIGNAL NAME	V BUS	D-	D+	GND
REMARK	USB 2.0 CONTACT PINS			

PIN NO.	PIN 5	PIN 6	PIN 7	PIN 8	PIN 9
SIGNAL NAME	STDA_SSRX-	STDA_SSRX+	GND_DRAIN	STDA_SSTX-	STDA_SSTX+
REMARK	USB 3.0 CONTACT PINS				

Singatron Enterprise Co., Ltd.

QUALITY SYMBOL	GENERAL TOLERANCES (UNLESS SPECIFIED)
$\nabla = 0$	x.xxxxx ± ---
$\nabla = 0$	x.xxx ± ---
$\nabla = 0$	x.xx ± 0.25
$\nabla = 0$	x.x ± 0.30
$\nabla = 0$	ANGULAR ± ---

TITLE	USB 3.0, A TYPE, V/T,DIP,H=11.5mm,无边CONNECTOR.			
DWN	SLE 2017/08/11	PART NO.	2UBF-C035-x09Wx-x	
CHKD	David 2017/08/11	SCALE	1:1	UNIT: mm
APVD	David 2017/08/11	SIZE	A3	SHEET:1 OF 1
		REV	A	

CUSTOMER COPY