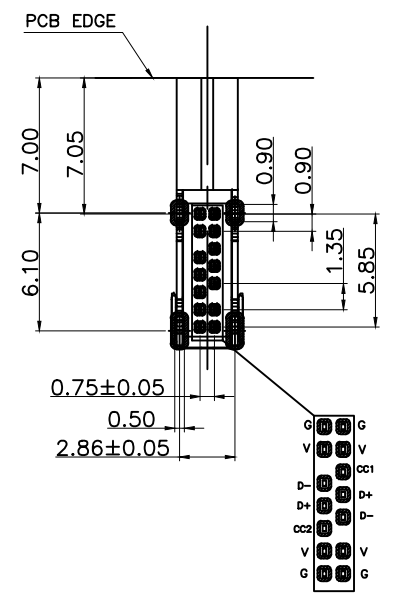
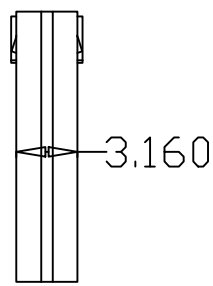
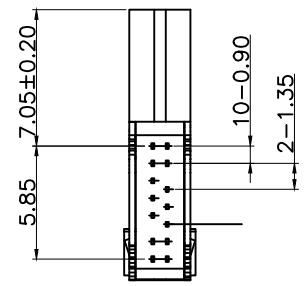
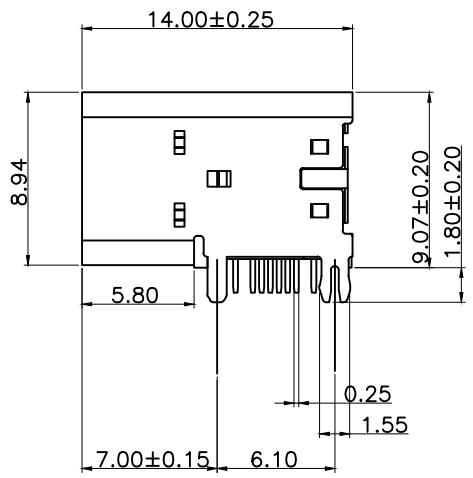
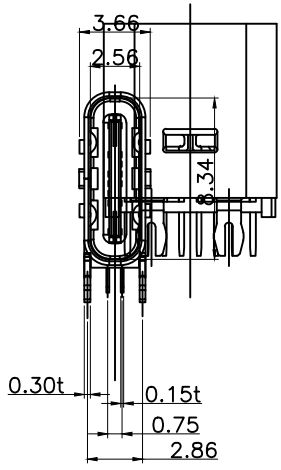
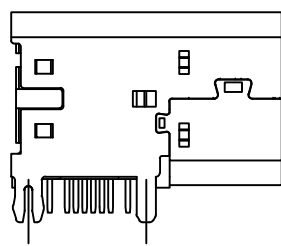


CUSTOMER DRAWING

PCB板厚建议1.0~1.2MM



RECOMMENDED P.C.B. LAYOUT
TOLERANCE UNSPECIFIED ±0.05mm



NOTE :
2UBTC2FD014SX02ZA

- 1. Seletive Plating
- S1:5u" Gold In Contact Area
100u" Tin In Tail Area
- S2:0.8u" Gold In Contact Area
100u" Tin In Tail Area
- S3:10u" Gold In Contact Area
100u" Tin In Tail Area
- S4:15u" Gold In Contact Area
100u" Tin In Tail Area
- S5:30u" Gold In Contact Area
100u" Tin In Tail Area

NO.	DESCRIPTION	MATERIAL	COLOR	REMARK
7				
6				
5				
4	TYPE C MD	HIGH TEMP	BLACK	UL 94V-0
3	CENTER PIERCE	STAINLESS STEEL	—	NO Plated
2	TYPE C TERMINAL	COPPER ALLOY	—	Gold Plated
1	SHELL	STAINLESS STEEL	—	Ni Plated

Singatron Enterprise Co., Ltd.				
TITLE	TTYPE C 2.0母座14PIN 90度侧板带后盖			
DWN	17-09-12	PART NO.	2UBTC2FD014SX02ZA	
CHKD	LUI	SCALE 1:1	UNIT: mm	
APVD	JUAN	SIZE: A3	SHEET: 1 OF 1	REV: PA
CUSTOMER COPY				

						30°	±0.50
						10°~30	±0.30
						~10	±0.15
	PA	NEW	17-09-12	LUI	JUAN	ANGLES	±2°
ECN (DCN) NO.	REV.	DESCRIPTION	DATE	CHANGE	APPRO.	GENERAL TOLERANCE (UNLESS OTHERWISE NOTED)	