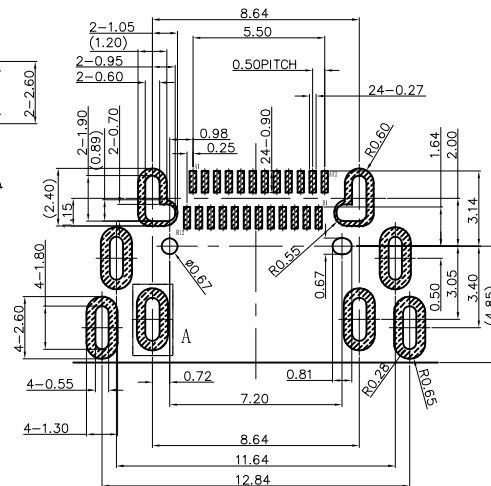
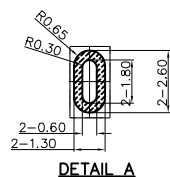
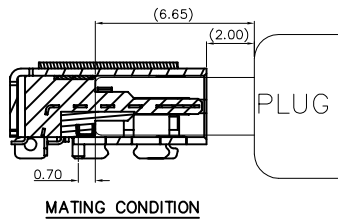
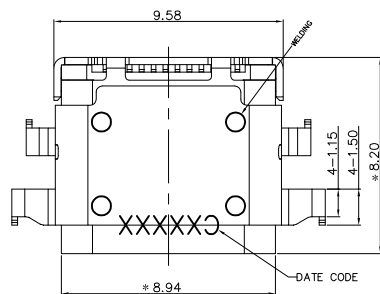
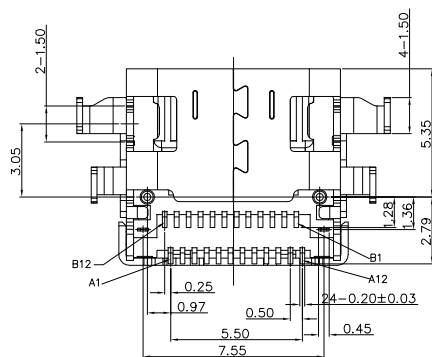
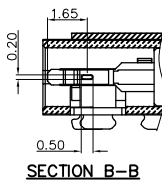
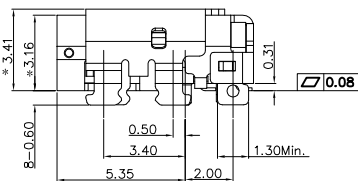
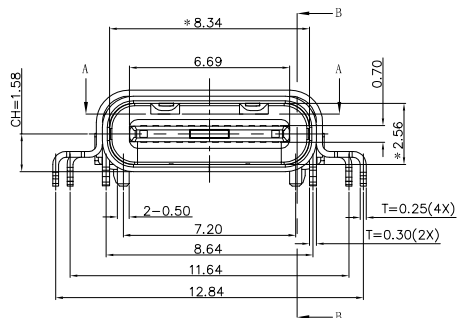
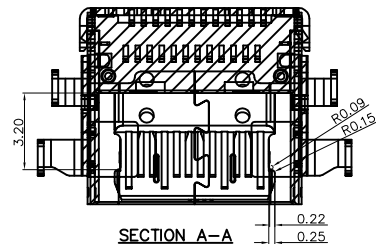


* : INDICATES THE KEY DIMENSIONS [“*”為重點尺寸]



Recommend of PC Board Holes

Tolerance : ±0.05(Top view)



- SPECIFICATION:
- CURRENT RATING: 3A
 - VOLTAGE RATING: 5V
 - LOW LEVEL CONTACT RESISTANCE: 40mohms MAX. FOR VBUS, GND AND OTHER CONTACTS. 50mohms MAX. AFTER ENVIRONMENT TEST.
 - INSERTION FORCE : 5N~20N.
 - EXTRACTION FORCE : 8N~20N.
 - DURABILITY: 10,000 CYCLE
 - OPERATING TEMPERATURE: -55°C TO +85°C.

PIN ASSIGNMENT											
A1	A2	A3	A4	A5	A6	A7	A8	A9	A10	A11	A12
GND	TX1	TX1-	VBUS	CC1	D+	D-	RFU1	VBUS	RX2-	RX2+	GND
GND	RX1+	RX1-	VBUS	RFU2	D-	D+	CC2	VBUS	TX2-	TX2+	GND
B12	B11	B10	B9	B8	B7	B6	B5	B4	B3	B2	B1

RoHS Compliant

5	OUTER SHELL	1	STAINLESS STEEL	N/A
4	SHELL	1	STAINLESS STEEL	N/A
3	MID-PLATE	1	STAINLESS STEEL	N/A
2	CONTACT	SET	COPPER ALLOY	MB: Ni Gold Flash
1	HOUSING	1	LCP	UL94V-0 BLACK
LTR	PART NAME	QTY	MATERIAL	REMARK

-TOLERANCES- UNLESS OTHERWISE SPECIFIED		Singatron Enterprise Co., Ltd.			
公差		TITLE	USB TYPE-C 24PIN FEMALE 90° SMT		
X.X ±0.30	X.X" ±3'	DWN	LUJIAO	PART NO. 2UBTPD22-BG-R	
X.XX ±0.25	X.XX" ±1'	CHKD	2020.09.17	SCALE 1:1	UNIT: mm
X.XXX ±0.20		APVD	GAOWEI	SIZE: A3	SHEET: 1 OF 1 REV: A
CUSTOMER COPY					