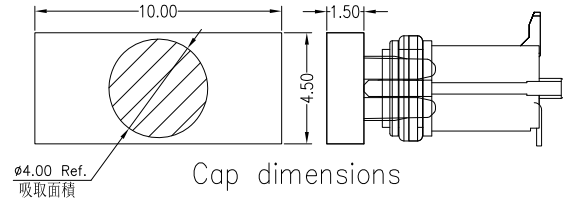
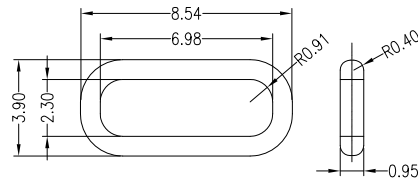
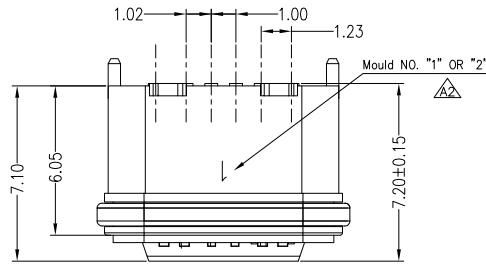


# GP Component

REV.	ECN NO.	LOCATIONS	DESCRIPTION	DATE	DESIGN
A0			Initial	2020/03/06	Hanson
A1			Change	2021/10/07	Ken Lin
A2			Add explanation	2022/03/04	Ken Lin
A3			Change Silicone Rubber	2022/07/29	Ken Lin



## 防水圈 (Waterproof Rings)

Note:

- Material:
  - Housing: lcp (膠芯Black)
  - Contact: C7025, t=0.20mm
  - Shell: Zinc Alloy
  - Waterproof Rings: Silicone Rubber Colour: Blue
  - Cap: LCP UL94V-0 Colour: Black
- ELECTRICAL:
  - CURRENT RATING:
    - VBUS AND GND CONTACTS RATED AT 1.5A PARALLELED FOR A TOTAL OF 3A;
  - INITIAL CONTACT RESISTANCE :40 MEGOHMS
  - DIELECTRIC WITHSTANDING VOLTAGE:
    - 100V AC MIN;
- MECHANICAL CHARACTERISTICS:
  - MATING FORCE: 5~20N
  - UNMATING FORCE: 8~20N(INITIAL), 6~20N(AFTER 10000 CYCLES)
  - FREQUENCY: 200±50 CYCLES /HOUR, 10000 CYCLES
  - OPERATING TEMPERATURE ; -40°~80°.
- WATERPROOF: IP-X7.
- PLATING:
  - CONTACT: 3u" GOLD/TIN PLATING ON CONTACT AREA
  - 50u" MIN, TIN PLATING ON SOLDER TAILS
  - 50u" MIN, NICKEL UNDERPLATING OVER ALL
  - SHELL: 50u", NICKEL UNDERPLATING OVER ALL

PART NO:

2UC06W - 01 - 458

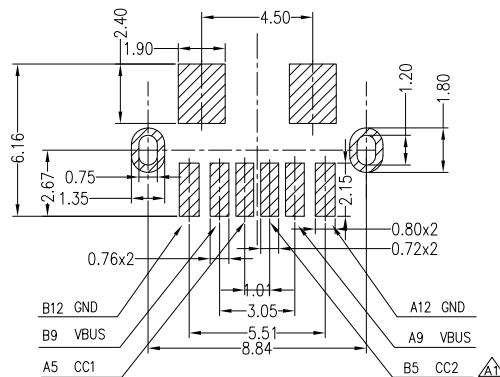
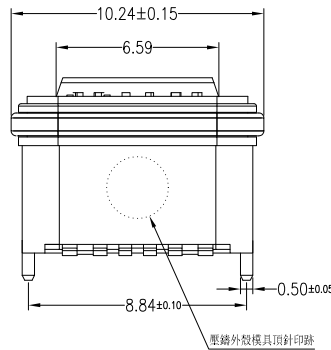
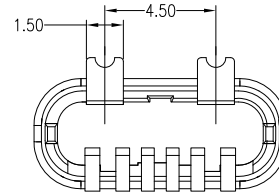
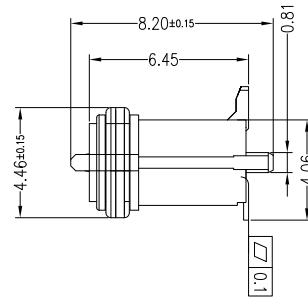
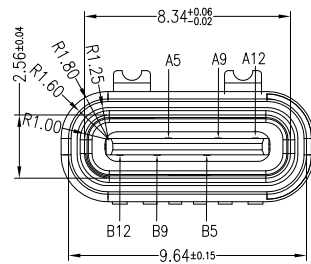
└── Series number

└── Gold Plating

01: G/F

03: 3u"

15: 15u"



PCB LAYOUT 图仅供参考

TABLE B

A5	CC1	B12	GND
A9	VBUS	B9	VBUS
A12	GND	B5	CC2
PIN	SIGNAL NAME	PIN	SIGNAL NAME

TOLERANCE:

X.X ±0.15

X.XX ±0.10

X.XXX ±0.05

ANGLE: ±3°

## Singatron Enterprise Co., Ltd.

TITLE	USB TYPE-C 6PIN Female 直立式 SMT 防水型		
DWN	Ken Lin	PART NO.	2UC06W-01-458
CHKD	2022/07/29	SCALE	1:1 UNIT: mm
APVD	Richard Hsieh	SIZE: A3	SHEET: 1 OF 1 REV: A3

CUSTOMER COPY