

1 2 3 4 5 6 7 8

F

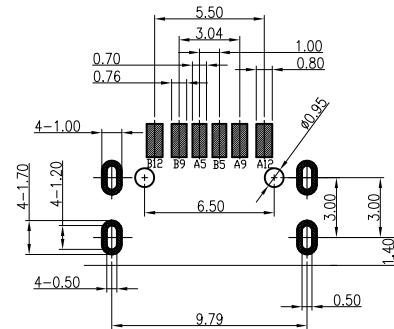
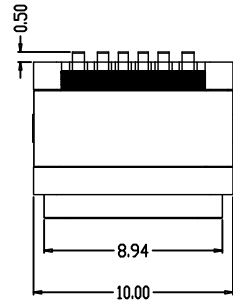
E

D

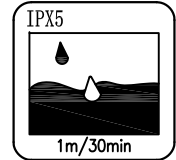
C

B

A



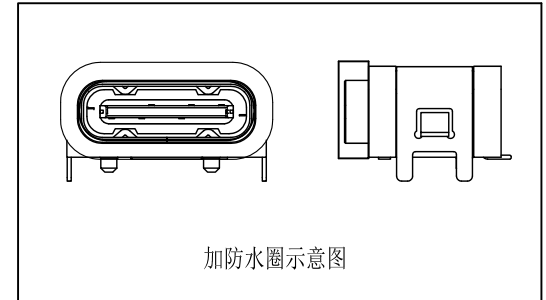
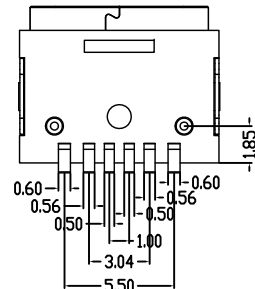
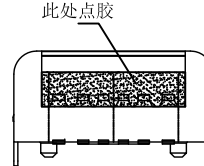
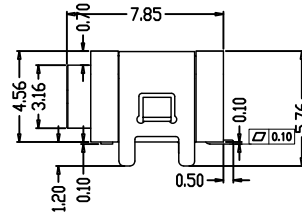
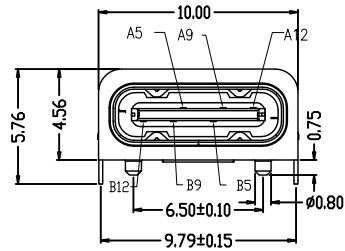
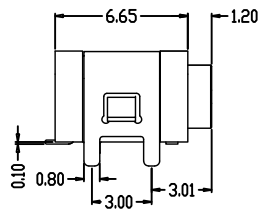
RECOMMENDED P.C.B. LAYOUT
TOLERANCE UNSPECIFIED ±0.05mm



NOTES:

SPECIFICATION:

- CURRENT RATING: 3.0A MAX
- VOLTAGE: 30 VAC
- TEMPERATURE RANGE: -30 °C ~ 85 °C
- CONTACT RESISTANCE: 40 MILLIONHM MAX
- INSULATION RESISTANCE: 100 MEGOHMS MIN.
- INSERTION FORCE : 5N~20N
- UNMATING FORCE: 8N~20N
- DURABILITY: 10,000 CYCLES
- WATER PROOFNESS: THIS PRODUCT IS BASED ON IPX5.



NO.	DESCRIPTION	MATERIAL	REMARKS	QTY
6	防水圈	硅胶	BLACK	1PCS
5	SHELL	STAINLESS STEEL	Ni Plated	1PCS
4	SHIELDING PLATE	STAINLESS STEEL	Ni Plated	1PCS
3	CONTACT	COPPER ALLOY	TIN/Au/Ni Plated	1SET
2	SHELL HOUSING	HIGH TEMPERATURE PLASTIC	BLACK	1PCS
1	HOUSING	HIGH TEMPERATURE PLASTIC	BLACK	1PCS

UNLESS OTHERWISE SPECIFIED TOLERANCES

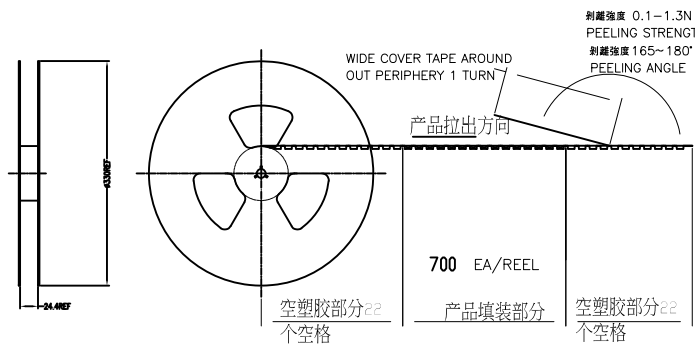
DECIMALS:		ANGLES:	
DIM	TOL	DIM	TOL
X.	±0.50	X.	±2°
X.X	±0.30	X.X	±1°
X.XX	±0.20	X.XX	///
X.XXX	±0.10	X.XXX	///

Singatron Enterprise Co., Ltd.

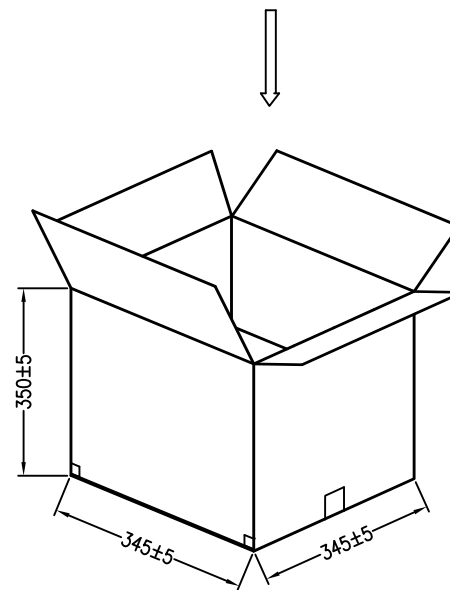
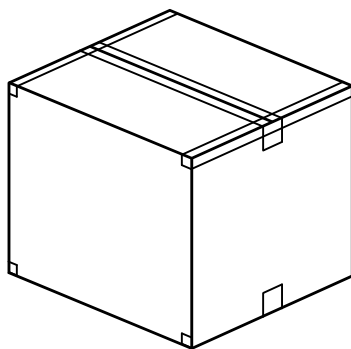
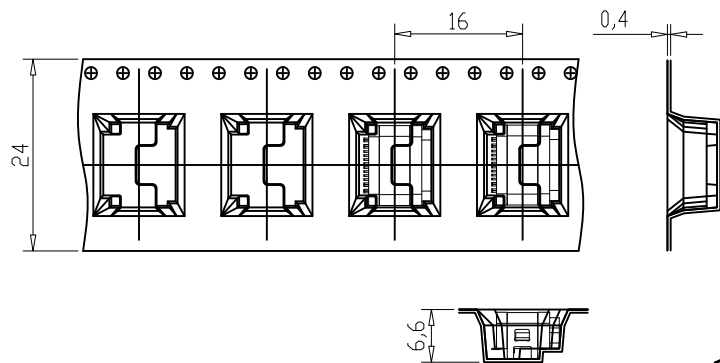
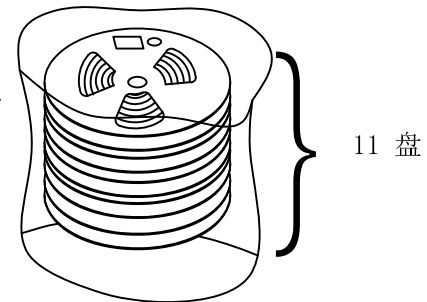
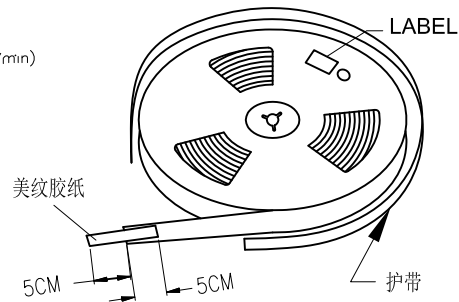
TITLE	USB TYPE C 6PIN 防水型			
DWN	Tony	PART NO. 2UC06W-1482-000H		
CHKD	2022.1.14	SCALE 1:1	UNIT: mm	
APVD	Andy	SIZE: A3	SHEET: 1 OF 2	

CUSTOMER COPY

1 2 3 4 5 6 7 8



剥離強度 0.1-1.3N MAX(300±10mm/min)
PEELING STRENGTH
剥離角度 165~180°
PEELING ANGLE



说明:

- 1, 将检查合格的产品, 放入承载带中, 一盘包装700PCS;
- 2, 将11盘承载带放入纸箱中;
- 3, 将纸箱封装好, 贴上标签.

每箱数量	净重 (Kg)	毛重 (Kg)
7700PCS	xxx	xxx

UNLESS OTHERWISE SPECIFIED TOLERANCES				Singatron Enterprise Co., Ltd.			
DECIMALS:		ANGLES:		TITLE	USB TYPE C 6PIN 防水型		
DIM	TOL	DIM	TOL	DWN	Tony	PART NO.	2UC06W-1482-000H
X.	±0.50	X.	±2°	CHKD	2023.5.13	SCALE 1:1	UNIT: mm
X.X	±0.30	X.X	±1°	APVD	Andy	SIZE: A3	SHEET: 2 OF 2
X.XX	±0.20	X.XX		REV: A1			
X.XXX	±0.10	X.XXX		CUSTOMER COPY			