

1 2 3 4 5 6 7 8

F

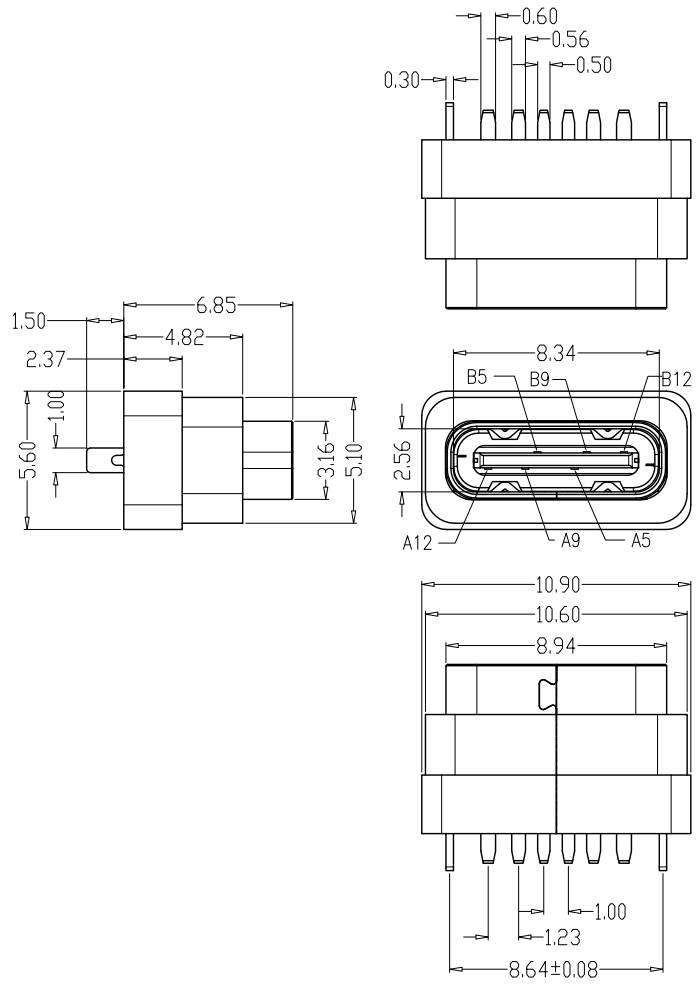
E

D

C

B

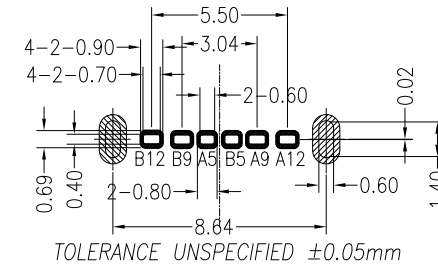
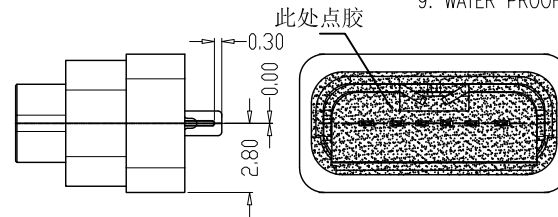
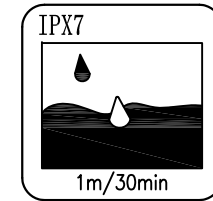
A



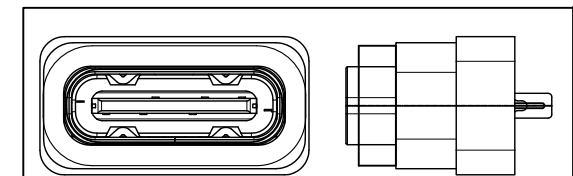
NOTES:

SPECIFICATION:

- CURRENT RATING: 3.0A MAX
- VOLTAGE: 30 VAC
- TEMPERATURE RANGE: -30 °C ~ 85 °C
- CONTACT RESISTANCE: 40 MILLIONHM MAX
- INSULATION RESISTANCE: 100 MEGOHMS MIN.
- LNsertion FORCE : 5N~20N
- UNMATING FORCE: 8N~20N
- DURABILITY: 10,000 CYCLES
- WATER PROOFNESS: THIS PRODUCT IS BASED ON IPX7.

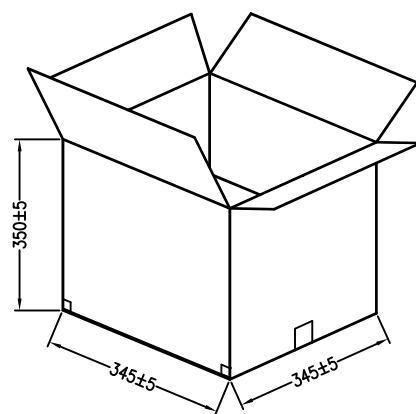
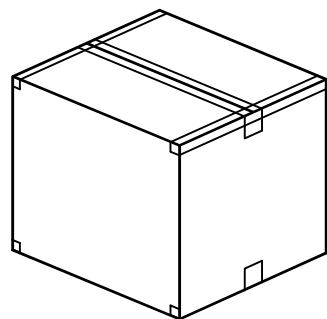
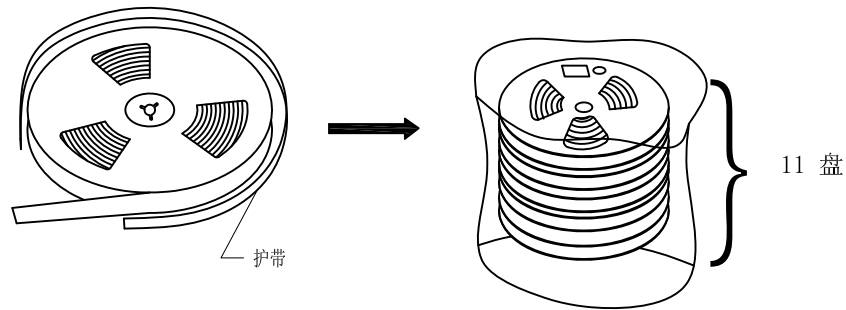
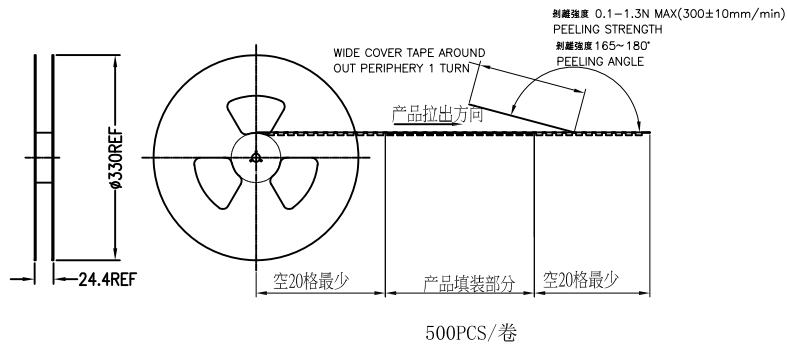


B12	GND
B9	VBUS
B5	CC2
A5	CC1
A9	VBUS
A12	GND
PIN	SIGNAL NAME



NO.	DESCRIPTION	MATERIAL	REMARKS	QTY
5	防水圈	硅胶	BLACK	1PCS
4	SHELL	STAINLESS STEEL	Ni Plated	1PCS
3	SHELL	PART	UL 94V-0 BLACK	1PCS
2	CONTACT	BRASS	Au Plated	1SET
1	MD	HIGH TEMPERATURE PLASTIC	BLACK	1PCS

UNLESS OTHERWISE SPECIFIED TOLERANCES		Singatron Enterprise Co., Ltd.			
DECIMALS:		ANGLES:		TITLE	
DIM	TOL	DIM	TOL	USB TYPE C 6PIN 防水型	
X.	±0.50	X.	±2°	DWN	Tony
X.X	±0.30	X.X	±1°	CHKD	2022.1.14
X.XX	±0.20	X.XX	///	APVD	Andy
X.XXX	±0.10	X.XXX	///	SCALE 1:1 UNIT: mm	
				SIZE: A3	SHEET: 1 OF 2
				REV: A1	
				CUSTOMER COPY	



UNLESS OTHERWISE SPECIFIED TOLERANCES				Singatron Enterprise Co., Ltd.			
DECIMALS:		ANGLES:		TITLE	USB TYPE C 6PIN 防水型		
DIM	TOL	DIM	TOL	DWN	Tony	PART NO. 2UC06W-1483-000H	
X.	±0.50	X.	±2°	CHKD	2022.1.14	SCALE 1:1	UNIT: mm
X.X	±0.30	X.X	±1°	APVD	Andy	SIZE: A3	SHEET: 2 OF 2
X.XX	±0.20	X.XX	—	REV: A1			
X.XXX	±0.10	X.XXX	—	CUSTOMER COPY			