

1 2 3 4 5 6 7 8

F

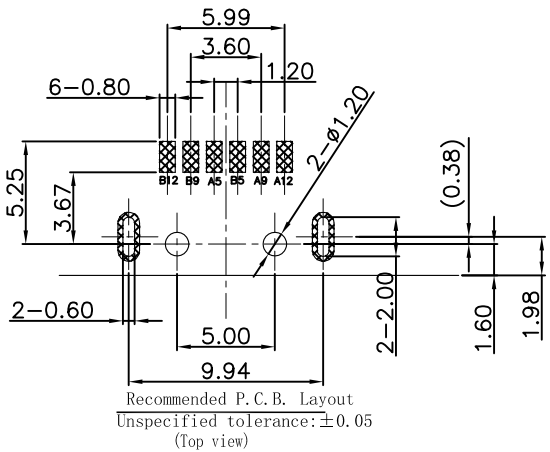
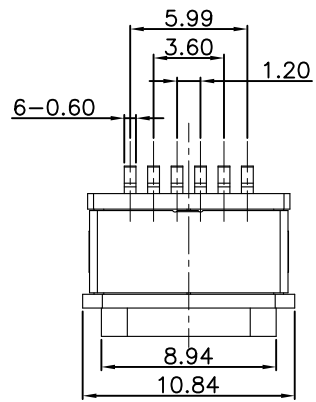
E

D

C

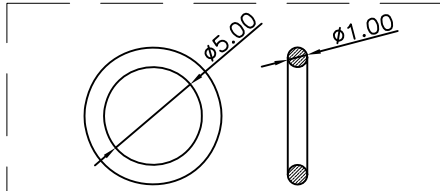
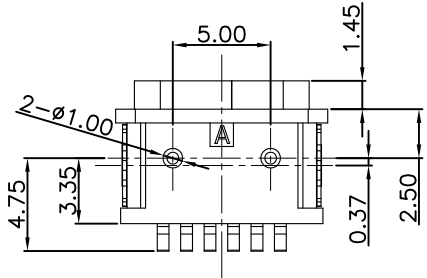
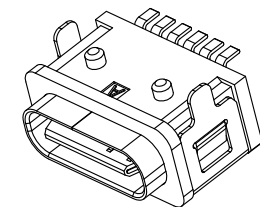
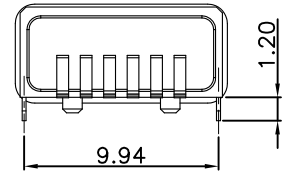
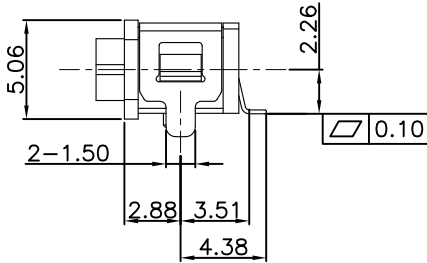
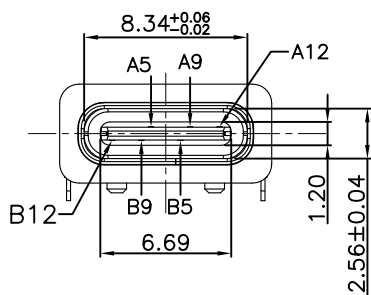
B

A



SPECIFICATION:

- CURRENT RATING: 3.0A MAX
- DIELECTRIC WITHSTAND VOLTAGE: 100VAC
- TEMPERATURE RANGE: -30 °C ~ 85 °C
- CONTACT RESISTANCE: 40 MILLIONHM MAX
- INSULATION RESISTANCE: 100 MEGOHMS MIN.
- INSERTION FORCE : 5N~20N
- UNMATING FORCE: 8N~20N
- DURABILITY:10,000 CYCLES
- WATER PROOFNESS:THIS PRODUCT IS BASED ON IPX8.



注：防水圈是圆形截面，直径为1.0mm的硅胶圈，防水圈挤压量，由1.0mm挤压到0.5mm ~ 0.6mm，防水效果好

A5	CC1	B12	GND
A9	VBUS	B9	VBUS
A12	GND	B5	CC2
PIN	SIGNAL NAME	PIN	SIGNAL NAME

5	Shell2	1	SUS301 Ni Plating T=0.20mm	Ni:40u"Min;
4	Shell1	1	SUS301 Ni Plating T=0.25mm	Ni:40u"Min;
3	Housing2	1	PA10T(G.F30%)	
2	Contact	6	Phosphor bronze C5210R-EH Au/Ni Plating T=0.20mm	Ni:40u"Min; Au:CONTACT AREA:1u", OTHER AREA:G/F
1	Housing	1	PA10T (G.F30%)	
ITEM	PART NAME	Q' TY	FINISH	NOTE

UNLESS OTHERWISE SPECIFIED TOLERANCES

DECIMALS:		ANGLES:	
DIM	TOL	DIM	TOL
X.	±0.50	X.	±2°
X.X	±0.30	X.X	±1°
X.XX	±0.20	X.XX	
X.XXX	±0.10	X.XXX	

Singatron Enterprise Co., Ltd.

TITLE	TYPE C 6PIN 防水型		
DWN	Tony	PART NO.	2UC06W-1540-000H
CHKD	2021.7.28	SCALE	1:1
APVD	Andy	UNIT:	mm
		SIZE:	A3
		SHEET:	1 OF 2
		REV:	A1

CUSTOMER COPY

1 2 3 4 5 6 7 8

1 2 3 4 5 6 7 8

F

E

D

C

B

A

F

E

D

C

B

A

PULL OUT DIRECTION

出料方向

24.4

φ330

400 MIN.

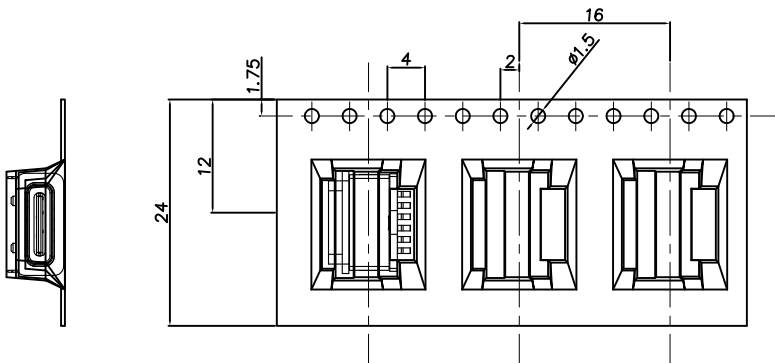
PEELING ANGLE  
165° ~ 180°

③

空10格最少

PRODUCT

空10格最少



备注:

1. 包装方式

1-1: 使用半自动包装机, 先将 CARRY TAPE 送入导轨中, 并与 COVER TAPE 贴合在上面, 其中前端大于10空槽不要放产品, 尾端大于10空槽不要放产品, 然后将产品如图所示方向依次放入 CARRY TAPE 每个槽放1PCS;

1.2. 用胶带将 CARRY TAPE 压合在一起, 包装后在图示指定位置贴上 LABEL;

1-3: 按图示要求将10盘包装好的 REEL 装入纸箱, 纸箱上下按图示要求加垫海绵垫, 四角折三角垫固定;

1-4: 将装好产品的纸箱按图示要求封箱, 在指定区域贴好 LABEL;

2. 包装数量:

600PCS/REEL;

10REEL (6000PCS) /CARTON.

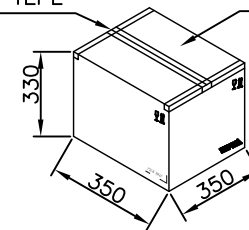
3. 耐剥离性:

上带引拔力测试规格: 20-150gf

测试条件: 以每分钟300mm速度引拔测试

TRANSPARENT  
GLUE TEPE

CARTON



UNLESS OTHERWISE  
SPECIFIED TOLERANCES

DECIMALS:		ANGLES:	
DIM	TOL	DIM	TOL
X.	±0.50	X.	±2°
X.X	±0.30	X.X	±1°
X.XX	±0.20	X.XX	—
X.XXX	±0.10	X.XXX	—

Singatron Enterprise Co., Ltd.

TITLE	TYPE C 6PIN 防水型		
DWN	Tony	PART NO.	2UC06W-1540-000H
CHKD	2021.7.28	SCALE 1:1	UNIT: mm
APVD	Andy	SIZE: A3	SHEET: 2 OF 2
		REV:	A1

CUSTOMER COPY

1 2 3 4 5 6 7 8