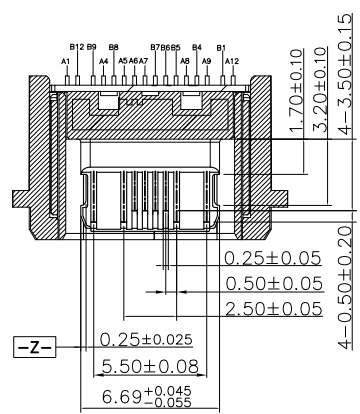
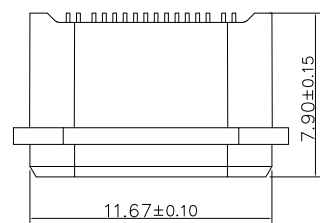


1 2 3 4 5 6 7 8

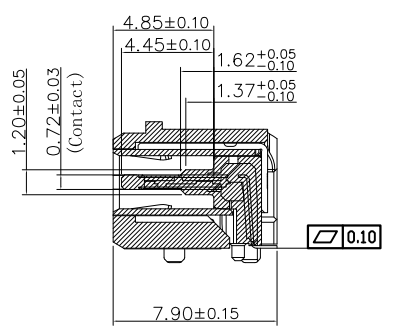
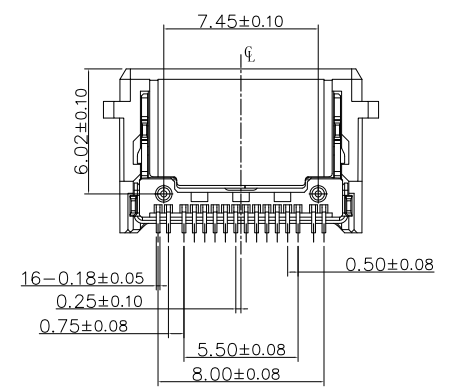
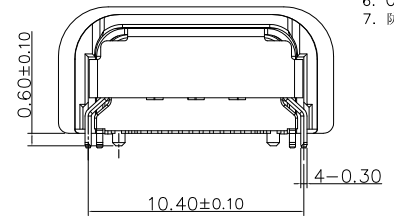
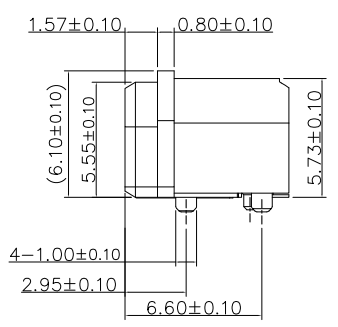
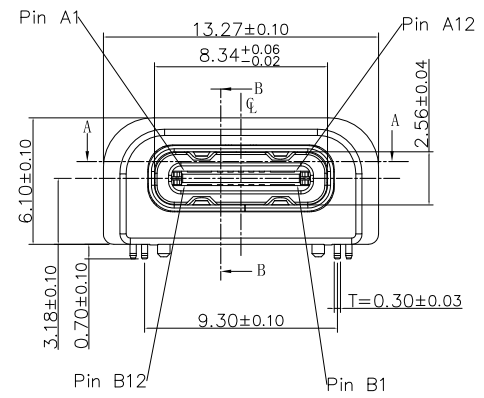
F
E
D
C
B
A

F
E
D
C
B
A



SECTION A-A

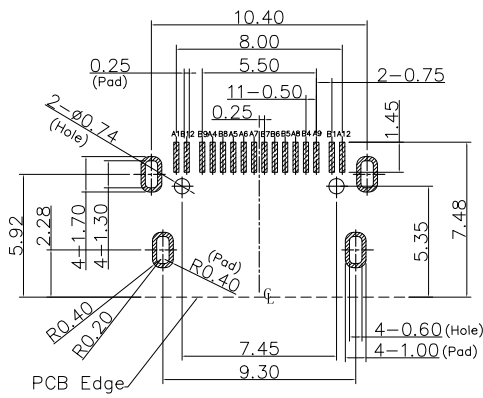
- NOTE:
- Material:
 - All Housing: LCP(Polyplastics),Black,Thermoplastics,UL94V-0
 - Insulation Jacket: LCP(Polyplastics),Black,Thermoplastics,UL94V-0
 - Contact: Copper Alloy
 - Mid Plate: Stainless Steel
 - Outer Shell: Stainless Steel
 - Inner Shell: Stainless Steel
 - FINISH:
 - Contact: Au 3u" Min.
 - Au 1u" Min. on Solder Area
 - 80~200u" Nickel Underplating Over All
 - Mid-Plate: 40~200u" Nickel Over All
 - Inner & Outer Shell: 40~200u" Nickel Over All
 - Outer Shell (Insulator) Minimum Thickness 0.40mm
 - Electrical Characteristics:
 - Current Rating: 5A For Pin(A4,A9,B4,B9)
 - 1.25A For Pin(A1,A12,B1,B12,B5)
 - 0.25A For Others Pin
 - Insulation Resistance: 100MΩ Min.
 - Contact Resistance: 50 mΩ Max.
 - Dielectric Withstanding Voltage: 500V AC/0.1S/0.1mA
 - Mechanical Characteristics:
 - Insertion Force: 5~20N
 - Extraction Force: Initial: 8~20N
 - After durability: 6~20N
 - Durability :10000 Cycles
 - Operating Temperature: -30°C TO +85°C
 - 防水等级IPX4



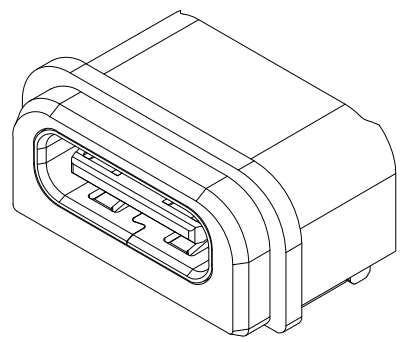
SECTION B-B

UNLESS OTHERWISE SPECIFIED TOLERANCES				Singatron Enterprise Co., Ltd.			
DECIMALS:		ANGLES:		TITLE	USB TYPE-C 16P母座 防水型		
DIM	TOL	DIM	TOL	DWN	Tony	PART NO. 2UC16W-1255-000H	
X.	±0.50	X.	±2°	CHKD	2021.2.23	SCALE 1:1	UNIT: mm
X.X	±0.30	X.X	±1°	APVD	Andy	SIZE: A3	SHEET: 1 OF 3
X.XX	±0.20	X.XX	///	REV: A1			
X.XXX	±0.10	X.XXX	///	CUSTOMER COPY			

1 2 3 4 5 6 7 8



Recommended PCB Layout
General Tolerance ± 0.05
▨ Pad Area
Top View



9	UP Terminal	Copper alloy	Note.2	ISET
8	Down Terminal	Copper alloy	Note.2	ISET
7	Insulation Jacket	LCP E130i BK UL 94V-0, HF		IPCS
6	Down Molding			IPCS
5	Up Molding			IPCS
4	Second Molding			IPCS
3	Mid-Plate	Stainless Steel	Note.2	IPCS
2	Inner Shell	Stainless Steel	Note.2	IPCS
1	Outer Shell	Stainless Steel	Note.2	IPCS
项次 NO.	品名 NAME	材料 MATERIAL	表面处理 PLATING	备注 MARK

PIN ASSIGNMENT

PIN NUMBER	SIGNAL NAME	PIN NUMBER	SIGNAL NAME
A1	GND	B12	GND
A2	TX1+	B11	RX1+
A3	TX1-	B10	RX1-
A4	VBUS	B9	VBUS
A5	CC1	B8	SBU2
A6	D+	B7	D-
A7	D-	B6	D+
A8	SBU1	B5	CC2
A9	VBUS	B4	VBUS
A10	RX2-	B3	TX2-
A11	RX2+	B2	TX2+
A12	GND	B1	GND

UNLESS OTHERWISE SPECIFIED TOLERANCES				Singatron Enterprise Co., Ltd.			
DECIMALS:		ANGLES:		TITLE	USB TYPE-C 16P母座 防水型		
DIM	TOL	DIM	TOL	DWN	Tony	PART NO.	2UC16W-1255-000H
X.	± 0.50	X.	$\pm 2^\circ$	CHKD	2021.2.23	SCALE 1:1	UNIT: mm
X.X	± 0.30	X.X	$\pm 1^\circ$	APVD	Andy	SIZE: A3	SHEET: 2 OF 3
X.XX	± 0.20	X.XX					REV: A1
X.XXX	± 0.10	X.XXX		CUSTOMER COPY			

