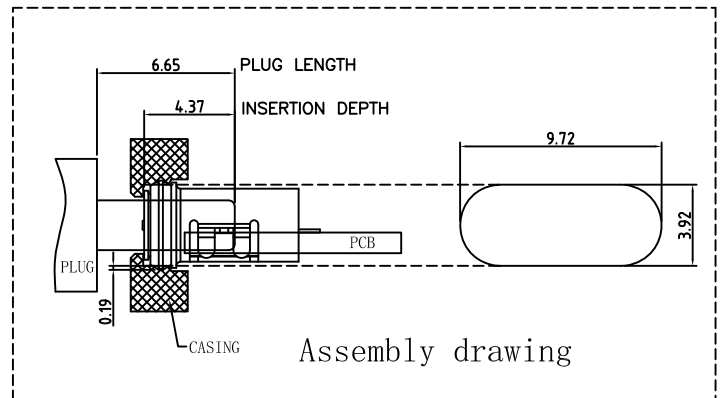


1. MECHANICAL PERFORMANCE,
 - 1.1.INSERTION FORCE: 5~20N.
 - 1.2.REMOVAL FORCE: 6~20N.
 - 1.3.DURABILITY: 10000 CYCLES.
2. ELECTRICAL PERFORMANCE,
 - 2.1. CURRENT RATING:3.0A
VOLTAGE RATING:12V
 - 2.2. LLCR:
VBUS & GND PINS AND OTHER PINS: 40mΩ/PIN MAX.
SHIELD: 50mΩ/MAX.
 - 2.3.INSULATION RESISTANCE: 100MΩ MIN
 - 2.4.DIELECTRIC WITHSTAND VOLTAGE,AC 100V FOR 1 MINUTE.
3. ENVIRONMENTAL PERFORMANCE:
OPERATING TEMPERATURE: -25°C~+85°C.
4. IR REFLOW:
THE PEAK TEMPERATURE ON THE BOARD SHALL BE MAINTAINED FOR 10 SECONDS AT 260°C.

RECOMMENDED PCB LAYOUT(TOP VIEW)
DEFAULT TOLERANCE:±0.05



Assembly drawing

USB TYPE-C PIN ASSIGNMENTS

PIN NUMBER	SIGNAL NAME	PIN NUMBER	SIGNAL NAME
A1	GND	B12	GND
A4	VBUS	B9	VBUS
A5	CC1	B8	SBU2
A6	Dp1	B7	Dn2
A7	Dn1	B6	Dp2
A8	SBU1	B5	CC2
A9	VBUS	B4	VBUS
A12	GND	B1	GND

D	SHELL	SUS304	Ni Plated	1
C	MID PLATE	SUS304		1
B	CONTACTS	C7025	Au / Ni Plated	1
A	HOUSING	PA10T	BLACK	1
NO.	DESCRIPTION	MATERIAL	REMARKS	QTY

UNLESS OTHERWISE SPECIFIED TOLERANCES				Singatron Enterprise Co., Ltd.			
DECIMALS:		ANGLES:		TITLE	TYPE C 16PIN 防水		
DIM	TOL	DIM	TOL	DWN	Tony	PART NO.	2UC16W-1369-000H
X.	±0.50	X.	±2°	CHKD	2022.10.18	SCALE 1:1	UNIT: mm
X.X	±0.30	X.X	±1°	APVD	Andy	SIZE: A3	SHEET:1 OF 2
X.XX	±0.20	X.XX					REV: A1
X.XXX	±0.10	X.XXX				CUSTOMER COPY	

1 2 3 4 5 6 7 8

F

F

E

E

D

D

C

C

B

B

A

A

24.4

φ330

PULL OUT DIRECTION

出料方向

400 MIN.

PEELING ANGLE
165° ~ 180°

空10PCS最少

800PCS

空10PCS最少

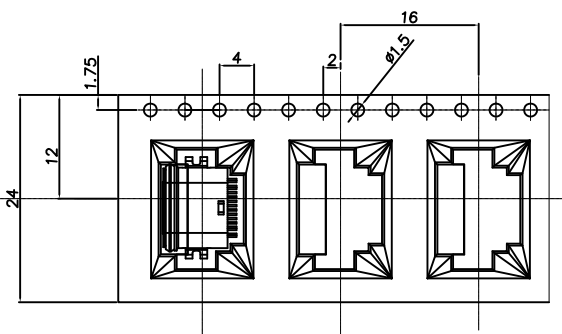
TOTAL
10LAYERS

REEL

1. 包裝數量:
800PCS/REEL;
10REEL (8000PCS) / CARTON.
2. 耐剥离性:
上带引拔力测试规格: 20-150gf
测试条件: 以每分钟300mm速度引拔测试

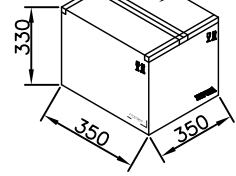
PULL OUT DIRECTION

出料方向



TRANSPARENT
GLUE TEPE

CARTON



UNLESS OTHERWISE
SPECIFIED TOLERANCES

DECIMALS:		ANGLES:	
DIM	TOL	DIM	TOL
X.	±0.50	X.	±2°
X.X	±0.30	X.X	±1°
X.XX	±0.20	X.XX	±0.5°
X.XXX	±0.10	X.XXX	±0.2°

Singatron Enterprise Co., Ltd.

TITLE	TYPE C 16PIN 防水		
DWN	Tony	PART NO.	2UC16W-1369-000H
CHKD	2022.10.18	SCALE 1:1	UNIT: mm
APVD	Andy	SIZE: A3	SHEET: 2 OF 2
		REV:	A1
CUSTOMER COPY			

1 2 3 4 5 6 7 8